



LAY-Z-SPA®

SHANGHAI

Bestway Inflatables & Material Corp.
No. 208 Jin Yuan Wu Road,
Shanghai, 201812, China
Tel: 86 21 6913 5588
E-mail: info@bestwaycorp.com

HONG KONG

Bestway (Hong Kong) International Ltd.
Suite 713, 7/Floor, East Wing,
Tsim Sha Tsui Centre,
66 Mody Road, Kowloon, Hong Kong
Tel: 852 2997 7169
E-mail: info@bestwaycorp.hk

U.S.A.

Bestway (USA) Inc.
3411 E. Harbour Drive, Phoenix, Arizona
85034, United States of America
Tel: 1 480 838 3888
E-mail: info@bestwaycorp.us

EUROPE

Bestway (Europe) S.r.l.
Via Resistenza, 5
20098 San Giuliano M.se (Mi), Italy
Tel: 39 02 9884 881
E-mail: info@bestwaycorp.eu

EASTERN EUROPE

Bestway Eastern Europe Sp. z o.o.
Ul. Ekologiczna 24
05-080 Kludyn Poland
Tel: 48 22 60 22 508
E-mail: info@bestwaycorp.pl

LATIN AMERICA

Bestway Central & South America Ltda
Salar Ascotan 1282, Parque Enea,
Pudahuel, Santiago, Chile
Tel: 562 3203 6438
E-mail: info@bestwaycorp.lat

BRAZIL

Bestway Brazil
Av Cerro Azul, 2783 Maringa - PR - Brazil
Zip Code: 87010-055
Tel: 55 44 3046 2950 / 0800 001 8400
E-mail: info@bestwaycorp.com.br

AUSTRALIA

Bestway Australia Pty Limited
Unit 2/98-104 Carnarvon St
Silverwater, NSW 2128, Australia
Tel: 61 2 9037 1388
E-mail: info@bestwaycorp.com.au

FRANCE

Bestway France Sarl
1681 route des Dolines
- Les Tairssounières - Belem
06560 VALBONNE
Tel: 33 4 97 04 92 99
E-mail: info@bestwaycorp.fr

GERMANY

Bestway Deutschland GmbH
Parkstraße 11
24534 Neumünster, Germany
Tel: 49 4321 555 05 - 0
E-mail: info@bestwaycorp.de



www.bestwaycorp.com

©2020 Bestway Inflatables & Material Corp. All rights reserved.
®™ Trademarks owned and managed by Bestway Inflatables & Material Corp.

LAY-Z-SPA 2021



2021

LAY-Z-SPA®

Bestway

Bestway



20 | CATALOG
21 | COLLECTION

OUR VISION MISSION

We create fun, lasting experiences for everyone in the world through the products and service we provide.

Happiness —
Happy Consumers,
Happy Employees,
Happy World



Vertically integrated



Customer focused



Innovative



Sustainable



Consumer driven

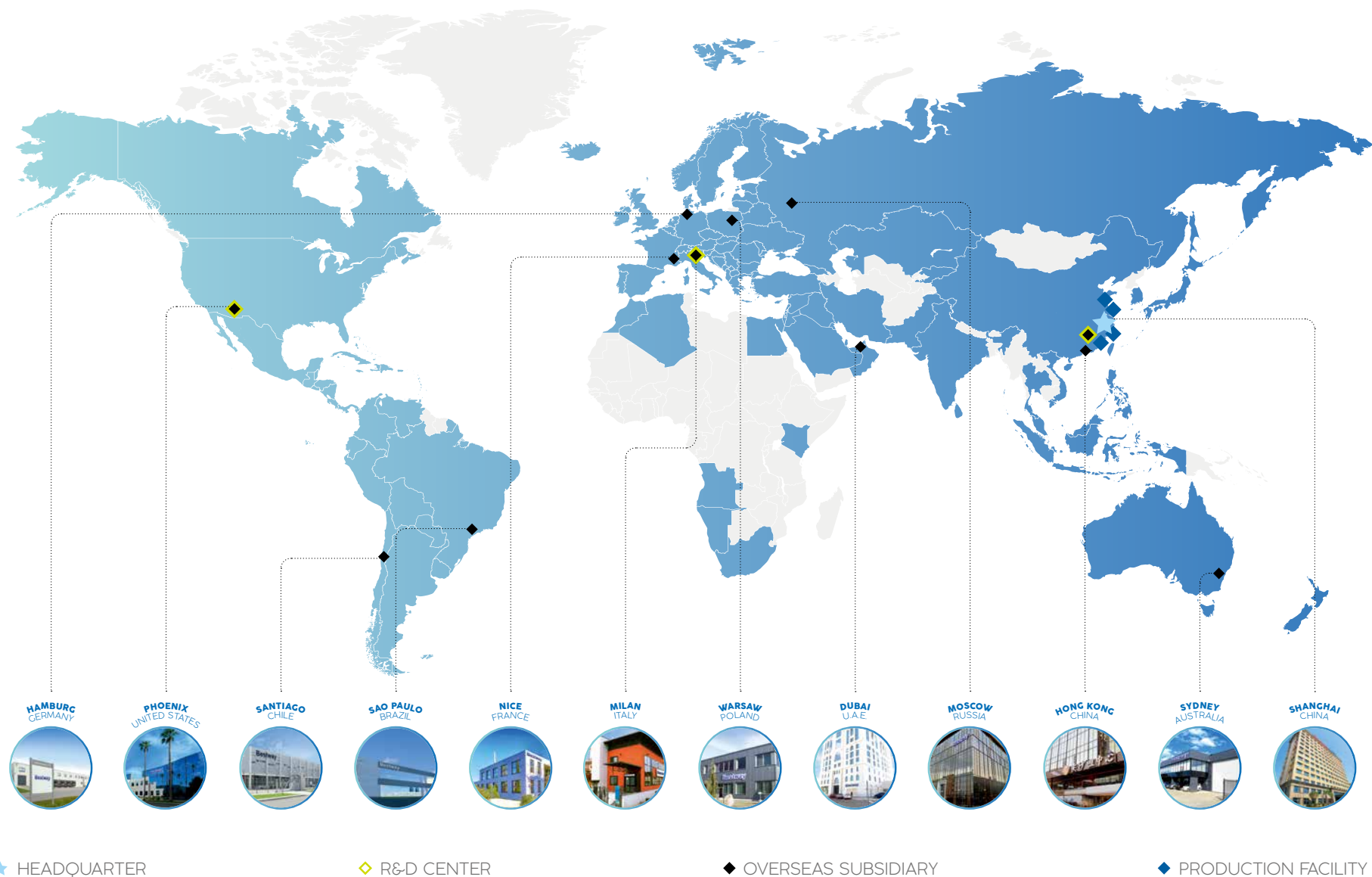


Fully owned production facilities



Public stock exchange

BESTWAY WORLD



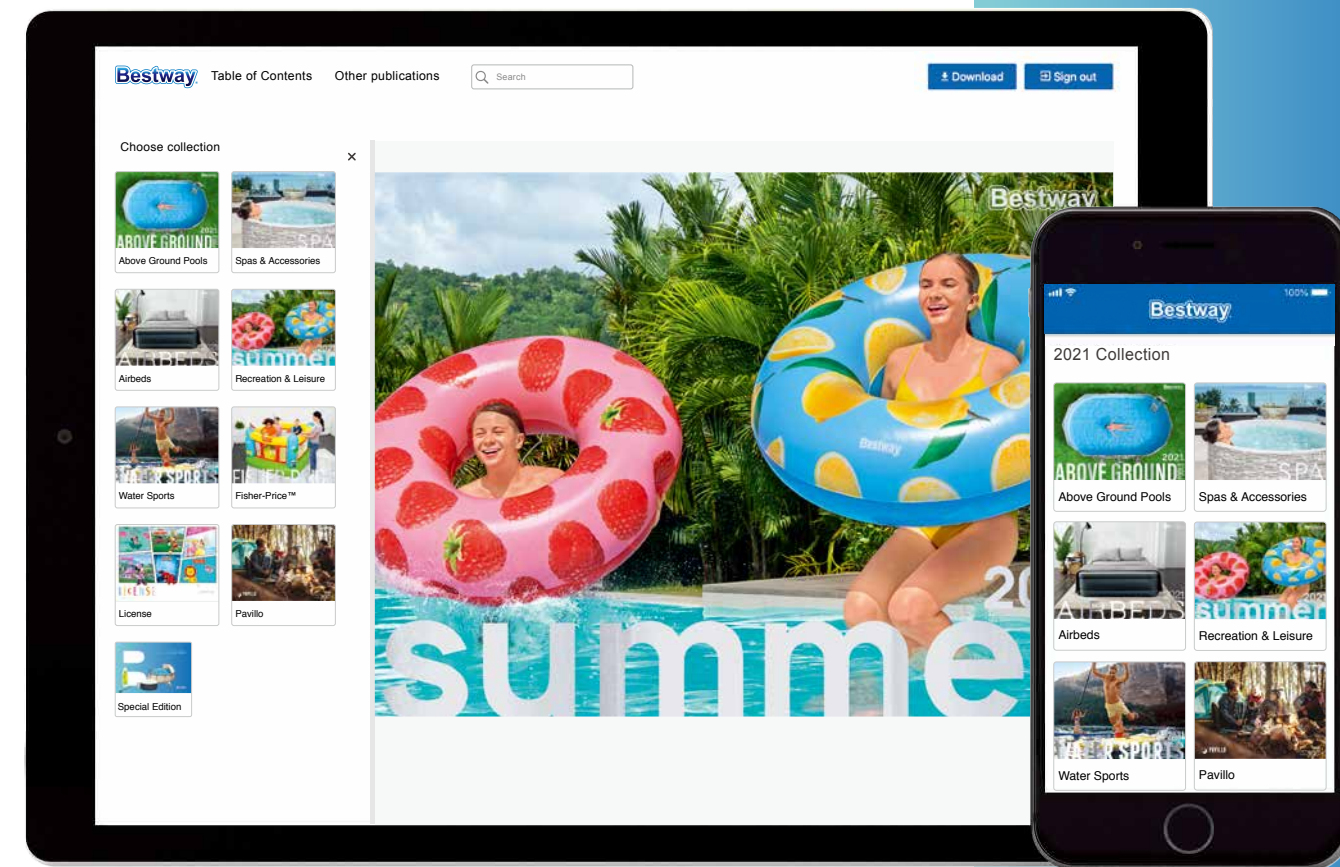
THE BESTWAY® CATALOG APP

Easily access all of our Bestway® catalogs while on the go with our brand new app. Download to see the conveniently portable, digital versions of our catalogs!

VIEW THE LATEST CATALOGS

QUICKLY FLIP THROUGH AND FIND ANY PRODUCT

REVIEW PRODUCT DETAILS AND PHOTOS





LAY-Z-SPA®

LAY-Z-SPA.
BAHAMAS

WELCOME

Almost a decade of advanced engineering innovations have built a name that people all around the world have grown to trust. The Lay-Z-Spa® offers an affordable spa experience that's convenient to use, easy to set up and offers total relaxation. Backed by the Bestway® customer service team, consumers can enjoy peace of mind while relaxing in their brand new spa. With different massage technologies, a Lay-Z-Spa offers the ultimate way to rest and recharge.



CONTENTS

AIRJET™

ST. LUCIA 6 0 0 3 7 + 6 0 0 3 8 pg 24-27	MIAMI 6 0 0 0 1 + 6 0 0 0 2 pg 28-31	BAHAMAS 6 0 0 0 5 + 6 0 0 0 6 pg 32-35	CANCUN 6 0 0 0 3 + 6 0 0 0 4 pg 36-39	TAHITI 6 0 0 0 7 + 6 0 0 0 8 pg 40-43
IBIZA 6 0 0 1 5 + 6 0 0 1 6 pg 44-47	HONOLULU 6 0 0 1 9 + 6 0 0 2 0 pg 48-51	HAWAII 6 0 0 2 1 + 6 0 0 2 2 pg 52-55	ST. MORITZ 6 0 0 2 3 + 6 0 0 2 4 pg 56-59	HELSINKI 6 0 0 2 5 + 6 0 0 2 6 pg 60-63

AIRJET PLUS™

MILAN 6 0 0 2 9 + 6 0 0 3 0 pg 66-69	VANCOUVER 6 0 0 2 7 + 6 0 0 2 8 pg 72-75
--	--

HYDROJET PRO™

HAWAII 6 0 0 3 1 + 6 0 0 3 2 pg 78-81	MALDIVES 6 0 0 3 3 + 6 0 0 3 4 pg 82-85
---	---

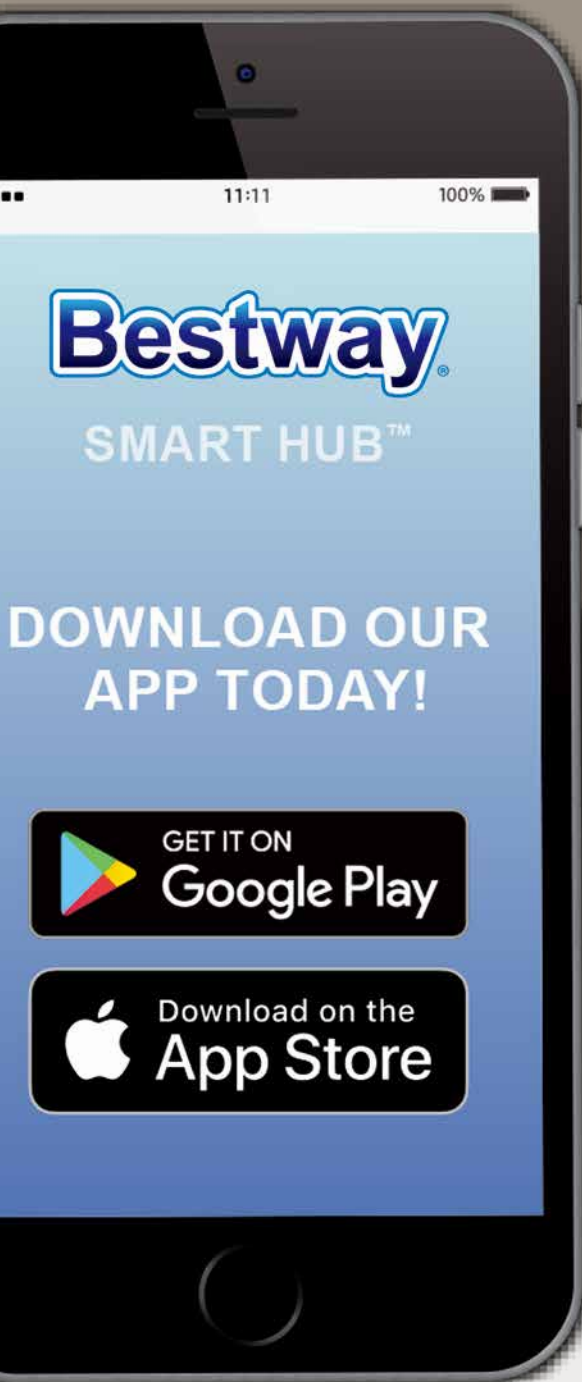
XTRAS™

RECHARGEABLE UNDERWATER VACUUM 6 0 3 0 1 pg 87	CANOPY 6 0 3 0 4 pg 88	SURROUND 6 0 3 0 8 pg 88	DOME 6 0 3 0 5 pg 89	COLORJET LED LIGHT 6 0 3 0 2 pg 90	7-COLOR LED LIGHT 6 0 3 0 3 pg 90
DRINK HOLDER 6 0 3 0 6 pg 91	PILLOW 6 0 3 0 7 pg 91	ALL IN ONE TOOL SET 6 0 3 1 0 pg 92	TEST STRIPS 5 8 1 4 2 pg 92	FLOOR PROTECTOR 6 0 3 0 9 pg 93	FILTER CARTRIDGE (VI) 6 0 3 1 1 pg 93

SERVICE

Provide your customers with quality products and the advanced customer service support they deserve. Bestway's online services and regional call centers allow customers to easily resolve issues that arise with their Bestway products. Our multilingual website is a knowledge base offering downloadable manuals, instructional videos along with FAQs and the ability for customers to order spare parts. Regional Call Centers provide the added dimension of support for those unfamiliar with computers or unable to find specific answers to their questions online.

www.bestwaycorp.com



SMART HUB™ APP



HEAT CONTROL
Set to your perfect temperature



SET TIMER
Power saving timer



AIRJET™ SETTINGS
Adjustable massage action



FILTRATION
Water filter activation

QUICK SET-UP

- 1 **DOWNLOAD THE BESTWAY SMART HUB™ APP**
- 2 **CLICK ON SPA**
- 3 **FOLLOW THE SET UP INSTRUCTIONS**



APP CONNECTION

DELIVERING STRENGTH AND COMFORT

With the Bestway Smart Hub™ app, control is right in the palm of your hand. This brand new innovation makes the Lay-Z-Spa one of the most convenient in the market. Compatible with smart devices, the Spa Control section of the app lets users set their spa to the perfect temperature. They can also activate the Power Saving Timer, the water filter, and the AirJet massage system with the touch of a button!

MESSAGE REGULATION

A new feature on some Lay-Z-Spas will allow the user to choose the intensity of their AirJet™ massage. With two levels, the massage bubbles are customizable, giving the consumers control over their relaxation experience.



FREEZE SHIELD™ TECHNOLOGY

COMFORT IN THE COLD

Lay-Z-Spas with Freeze Shield™ are equipped for year-round, all-weather use. Designed with innovative winterizing technology and an improved material, these spas automatically increase water circulation and heating when temperatures are low to prevent the inner parts from becoming damaged.

MESSAGE TECHNOLOGIES

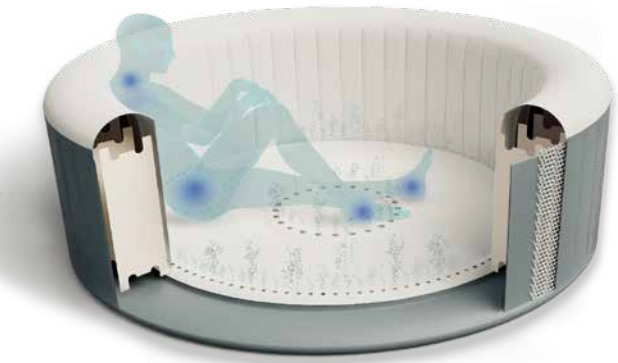
AIRJET™ SYSTEM

Soothe your body and relax your mind with the touch of a button! The AirJets work by releasing warm air into the water, surrounding you with a calming bubble massage.



AIRJET PLUS™ SYSTEM

Enjoy a deeper massage with AirJet Plus! Air bubbles are released from both the bottom and the sidewalls of the spa to target both the legs and back.



HYDROJETPRO™ SYSTEM

HydroJet Pro is the best of both worlds! Adjustable HydroJet nozzles that release high-pressure water bubbles combined with AirJets along the bottom provide the ultimate spa massage.

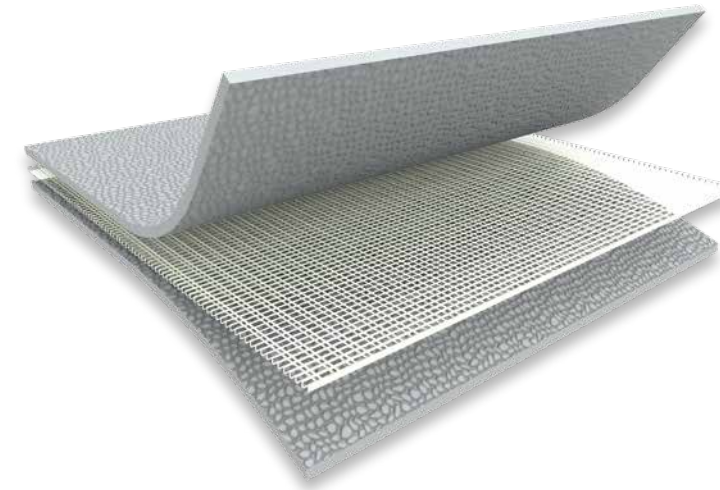




BEAM CONSTRUCTION

DELIVERING STRENGTH AND COMFORT

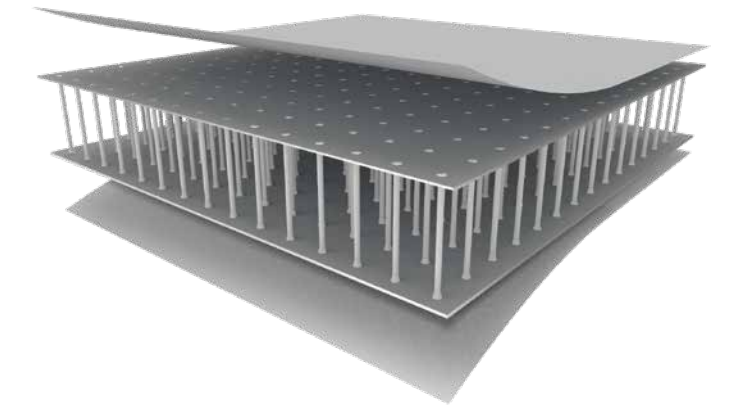
The internal construction of each Lay-Z-Spa is designed to offer superior structural stability while still maintaining a comfortable surface. It always provides a luxurious spa experience, no matter how many times it's inflated or deflated.



DURAPLUS™ 3-PLY

DURABLE COMFORT

Durable, yet comfortable, DuraPlus™ is ultra sturdy - 3 layers of polyester mesh and PVC. By constructing the internal structure with DuraPlus™, it ensures that the spas will keep their shape no matter how many times they have been inflated or deflated.



DROP STITCH MATERIAL

LIGHT-WEIGHT DURABILITY

The inflated walls are made from drop stitch material, providing unparalleled strength and durability. Thousands of fine threads securely connect the sidewalls, which seal in air to keep the spa inflated. This material can support considerable weight while still being light and portable when deflated.

ALL NEW LOOK LAY-Z-SPA REBRAND

THE BRAND NEW LOOK OF THE SPA PACKAGING TAKES ON BOTH CLASSIC AND MODERN.

The sleek layout answers consumers questions before they even realize they have them, all while looking both professional and contemporary.



ALL NEW LOGO

A brand new logo was created to improve cohesion between packaging and the original brand logo.

Following input from third party focus groups, a more modern logo would increase the brand perception and create differentiation between us and our competitors.

NEW PHOTO DIRECTION

All new photography was shot in order to fit the more relaxed mood of the packaging.

MODERN SIMPLIFICATION

We took inspiration from modern designs to simplify our packaging and give it that feeling of luxury that it deserves.



EASY TO READ CALLOUTS

The callouts are easy to understand and digest, describing each feature with concise accuracy.

STRATEGIC SIDE PANEL

Important information that's all in one place, the side panels now feature all of the product contents, highlights and set-up details that consumers appreciate.





REBRANDING

PACKAGING DETAILS

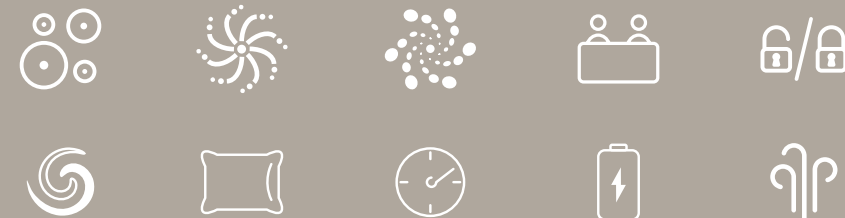
ACCESSORIES UPDATE

Along with our spa packaging, all of our accessories and extras have been updated to match the new and modern design.



NEW ICON ILLUSTRATIONS

To provide a stylish touch and make our packaging distinctly our own, along with making our callouts and details easier to read and understand, we've updated all of the icons. Now, it's obvious that they all fit together, and are used as supplemental graphics on packaging.



SIMPLIFIED COLOR

We've introduced a simple and clean color palette that will help consumers recognize our products on-shelf, and allow them to easily distinguish between AirJet/AirJet Plus and HydroJet Pro products.



NEW PRODUCT ANGLES

For a more technical and attractive look, we've created 3D renders of all of our spas to continue the clean consistency used throughout all of the packaging.

2021 PLANOGRAM

PACKAGING NOT TO SCALE

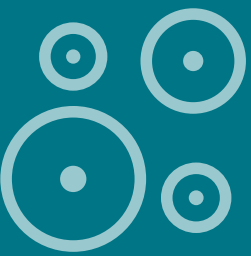


INTRODUCING
2021 LAY-Z-SPA
 COLLECTION



ST. LUCIA 60037 60038	MIAMI 60001 60002	BAHAMAS 60005 60006	CANCUN 60003 60004	TAHITI 60007 60008	IBIZA 60015 60016	HONOLULU 60019 60020	HAWAII 60021 60022	ST. MORITZ 60023 60024	HELSINKI 60025 60026	MILAN 60029 60030	VANCOUVER 60027 60028	HAWAII 60031 60032	MALDIVES 60033 60034
-----------------------------	-------------------------	---------------------------	--------------------------	--------------------------	-------------------------	----------------------------	--------------------------	------------------------------	----------------------------	-------------------------	-----------------------------	--------------------------	----------------------------

	ST. LUCIA 60037 60038	MIAMI 60001 60002	BAHAMAS 60005 60006	CANCUN 60003 60004	TAHITI 60007 60008	IBIZA 60015 60016	HONOLULU 60019 60020	HAWAII 60021 60022	ST. MORITZ 60023 60024	HELSINKI 60025 60026	MILAN 60029 60030	VANCOUVER 60027 60028	HAWAII 60031 60032	MALDIVES 60033 60034
CAPACITY	2-3 ADULTS	2-4 ADULTS	2-4 ADULTS	2-4 ADULTS	2-4 ADULTS	4-6 ADULTS	4-6 ADULTS	4-6 ADULTS	5-7 ADULTS	5-7 ADULTS	4-6 ADULTS	3-5 ADULTS	4-6 ADULTS	5-7 ADULTS
INFLATED SIZE	1.70 M X 66 CM (67" X 26")	1.80 M X 66 CM (71" X 26")	1.80 M X 66 CM (71" X 26")	1.80 M X 66 CM (71" X 26")	1.80 M X 66 CM (71" X 26")	1.80 M X 1.80 M X 66 CM (71" X 71" X 26")	1.96 M X 71 CM (77" X 28")	1.80 M X 1.80 M X 71 CM (71" X 71" X 28")	2.16 M X 71 CM (85" X 28")	1.80 M X 66 CM (71" X 26")	1.96 M X 71 CM (77" X 28")	1.55 M X 60 CM (61" X 24")	1.80 M X 1.80 M X 71 CM (71" X 71" X 28")	2.01 M X 2.01 M X 80 CM (79" X 79" X 31.5")
INNER SIZE	1.24 M (49")	1.32 M (52")	1.32 M (52")	1.32 M (52")	1.32 M (52")	1.32 M X 1.32M (52" X 52")	1.46 M (57")	1.30 M X 1.30 M (51" X 51")	1.66 M (65")	1.70 M (67")	1.46 M (57")	1.45 M (57")	1.30 M X 1.30 M (51" X 51")	1.51 M X 1.51 M (59" X 59")
WATER CAPACITY	605 L (160 GAL.)	669 L (177 GAL.)	669 L (177 GAL.)	669 L (177 GAL.)	669 L (177 GAL.)	778 L (205 GAL.)	916 L (242 GAL.)	840 L (222 GAL.)	1,190 L (314 GAL.)	1,123 L (297 GAL.)	916 L (242 GAL.)	804 L (213 GAL.)	795 L (210 GAL.)	1,050 L (277 GAL.)
MATERIAL	PVC & DURAPLUS™	PVC & DURAPLUS™	PVC & DURAPLUS™	PVC & DURAPLUS™	PVC & DURAPLUS™	PVC & DURAPLUS™	PVC & DURAPLUS™	PVC & DURAPLUS™	PVC & DURAPLUS™	PVC & DROP STITCH	PVC & DURAPLUS™	PVC & DROP STITCH	PVC & DURAPLUS™	PVC & DURAPLUS™
NUMBER OF AIRJETS	110	120	120	120	120	140	140	140	180	180	140	140	140	180
NUMBER OF HYDROJETS	00	00	00	00	00	00	00	00	00	00	00	00	8	8
SMART HUB APP											•	•		
FREEZE SHIELD™	•	•	•	•	•	•	•	•	•	•	•	•	•	•
LED LIGHTS					•									•
FOOT MASSAGE											•	•		•
MASSAGE REGULATION											•	•		
INTEGRATED SEATS														•



AIRJET™ SYSTEM

FLOAT AWAY
ON A CLOUD OF BUBBLES
WITH AN AIRJET MASSAGE.

Soothe your body and relax your mind with the touch of a button.

Simply press the massage button on the control panel, and the AirJet system will surround you with calming bubbles.

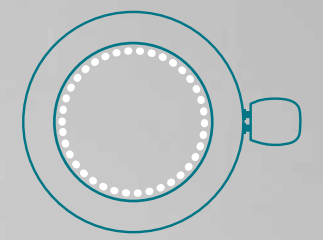


MULTI-FUNCTION PUMP

The included spa pump is convenient and accessible, complete with a new digital interface and cup holders. This pump inflates the spa, starts the heating and massage systems, and can activate the filtration system. The best part is that the new design now allows users to adjust their needs without standing up or exiting the spa.



AIRJET
POSITIONING



COMBINATION
HEAT & AIR MASSAGE



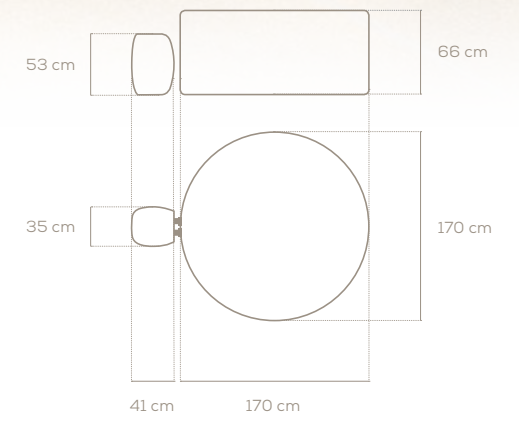
ST. LUCIA 6.0037 + 6.0038

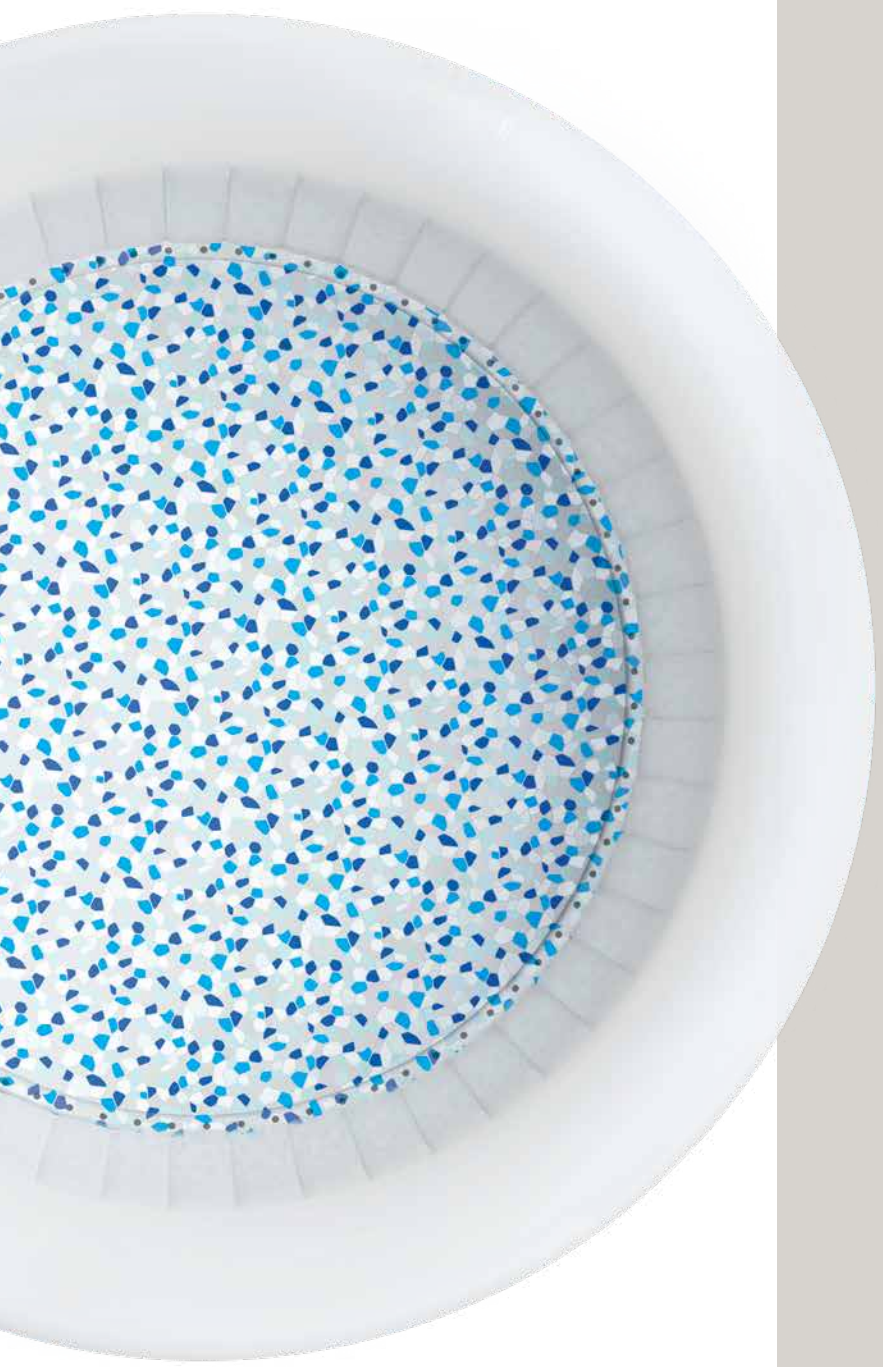
NEW



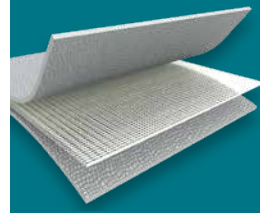
- Soothing AirJet™ bubble massage system (110 jets)
- Ultra-strong DuraPlus™ walls are stress tested to offer durability
- Freeze Shield™ automatic heating prevents water from freezing & damaging the spa
- Program the spa heater up to 40 days in advance for future use
- ChemConnect™ dispenser provides a stable level of chlorine throughout the spa
- Power-saving, timer-controlled heating system
- Digital control panel & spa pump with integrated filtration system includes cup holders and is accessible from inside the spa
- Reinforced cover with safety lock clips

Contents: 1 spa, 1 pool cover, 1 spa pump, filter cartridge (VI), 1 ChemConnect™ dispenser, repair patch, AirJet™ system





ST. LUCIA 60037 + 60038



DURAPLUS™ CONSTRUCTION

Both the outer and inner walls offer superior structural stability, providing puncture-resistance and protection against exposure to UV rays.



BEAM CONSTRUCTION

DELIVERING STRENGTH AND COMFORT

Lay-Z-Spa's Beam construction is designed to offer superior structural stability while maintaining a comfortable surface for a luxurious, refreshing spa experience.



SPA FEATURES



FREEZE SHIELD™



NO TOOLS
REQUIRED



40 °C
MAX TEMP
40 °C (104 °F)



CAPACITY
2-3 PEOPLE



AIRJET™
MASSAGE
SYSTEM

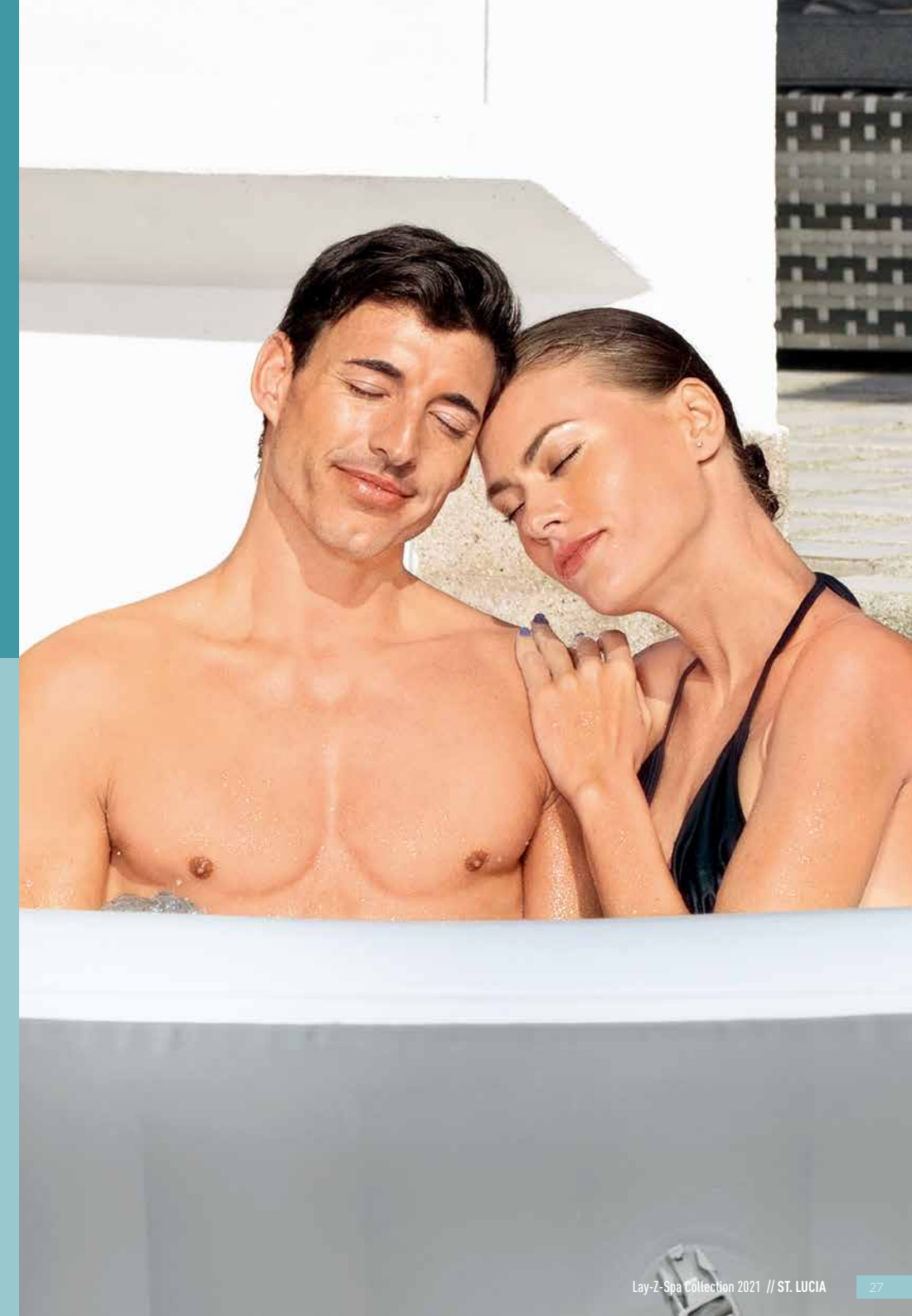


POWER SAVING
TIMER

SPECIFICATIONS

	60037	60038
WATER CAPACITY (80%)	605 L (160 GAL.)	177 GAL. (669 L)
INFLATED SIZE	1.70 M X 66 CM (67" X 26")	67 IN. X 26 IN. (1.70 M X 66 CM)
INNER SIZE	1.24 M (49")	49 IN. (1.24 M)
FILLED WEIGHT	630 KG (1,389 LBS)	1,389 LBS (630 KG)
RATING	220-240V~50HZ, 2050W AT 20°C (68°F)	110-120V~ 60HZ, 12A AT 68°F (20°C)
ACTUAL WATER FLOW	1,325 L/H (350 GAL./H)	320 GAL./H (1,211 L/H)
HEATING SYSTEM	APPROX. 1.5-2.0°C/H (3-4°F/H)	APPROX. 2-3°F/H (1.0-1.5°C/H)
CERTIFICATION	CE/GS(TUV-RL)/EAC/CM	CETL
PACK/ GROSS WEIGHT	1 EA., 30.36 KG (66.94 LBS)	1 EA., 65.00 LBS. (29.48 KG)

DIGITAL CONTROL PANEL





MIAMI 60001+60002

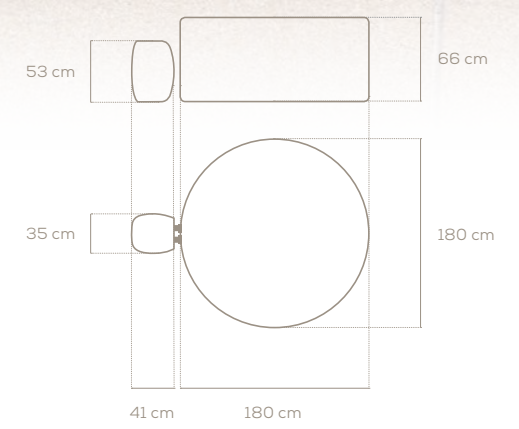


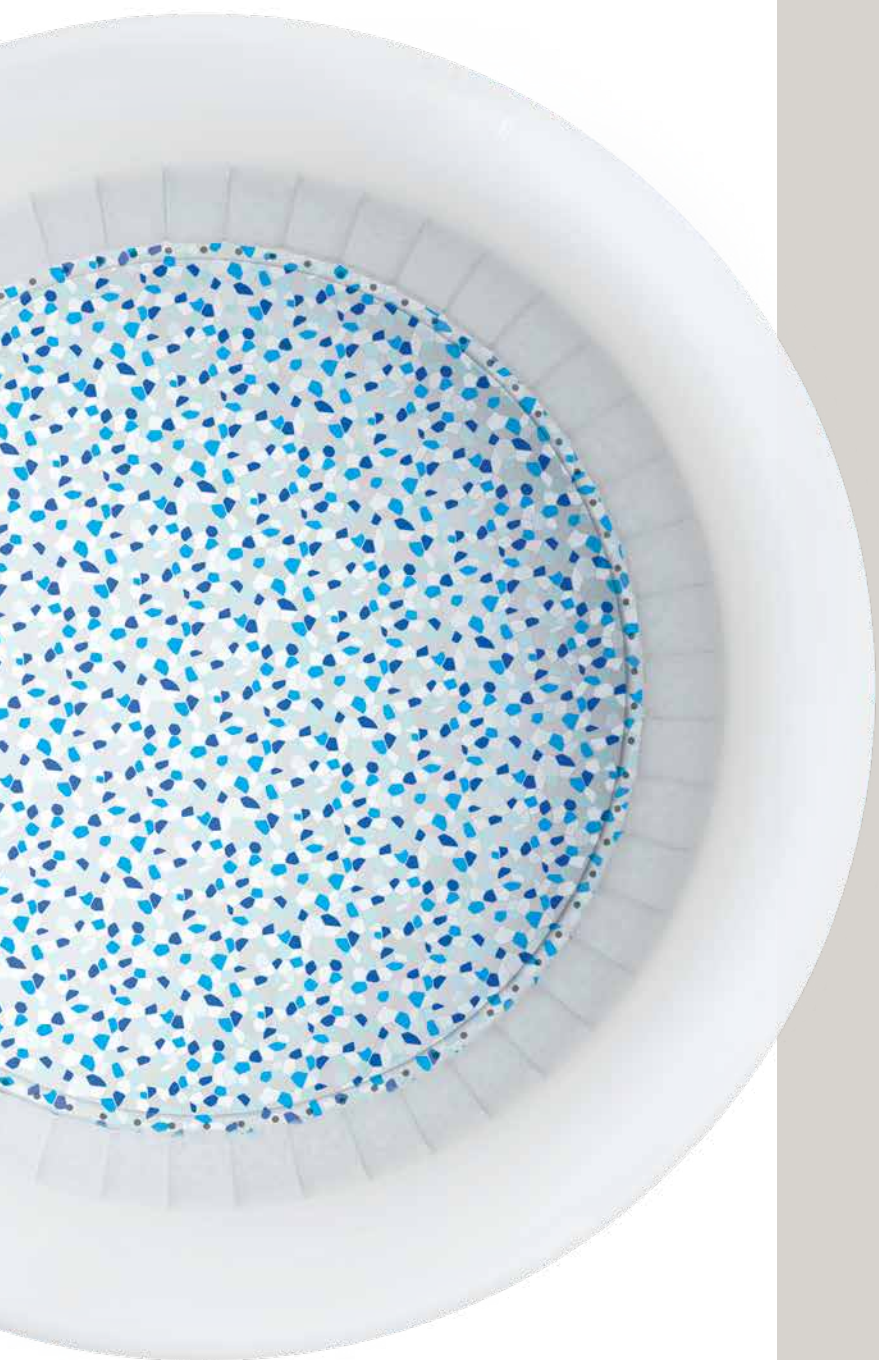
NEW GENERATION



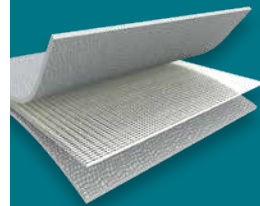
- Soothing AirJet™ bubble massage system (120 jets)
- Ultra-strong DuraPlus™ walls are stress tested to offer durability
- Freeze Shield™ automatic heating prevents water from freezing & damaging the spa
- Program the spa heater up to 40 days in advance for future use
- ChemConnect™ dispenser provides a stable level of chlorine throughout the spa
- Power-saving, timer-controlled heating system
- Digital control panel & spa pump with integrated filtration system includes cup holders and is accessible from inside the spa
- Reinforced cover with safety lock clips

Contents: 1 spa, 1 pool cover, 1 spa pump, filter cartridge (VI), 1 ChemConnect™ dispenser, repair patch, AirJet™ system





MIAMI 60001+60002



DURAPLUS™ CONSTRUCTION

Both the outer and inner walls offer superior structural stability, providing puncture-resistance and protection against exposure to UV rays.



BEAM CONSTRUCTION

DELIVERING STRENGTH AND COMFORT

Lay-Z-Spa's Beam construction is designed to offer superior structural stability while maintaining a comfortable surface for a luxurious, refreshing spa experience.



SPA FEATURES



FREEZE SHIELD™



NO TOOLS
REQUIRED



MAX TEMP
40 °C (104 °F)



CAPACITY
2-4 PEOPLE



AIRJET™
MASSAGE
SYSTEM

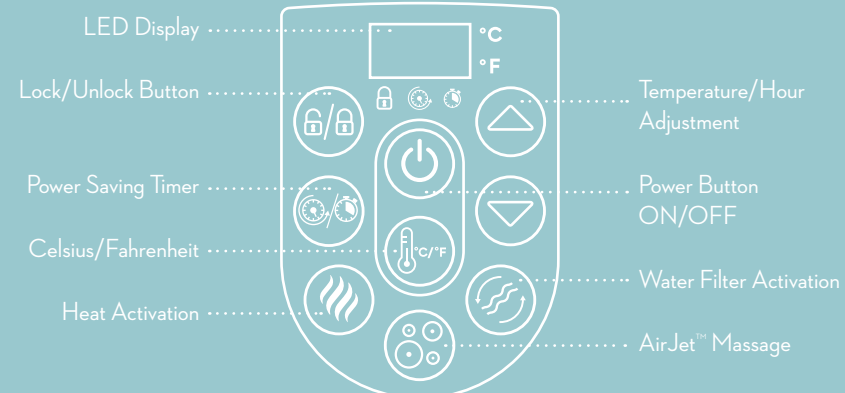


POWER SAVING
TIMER

SPECIFICATIONS

	60001	60002
WATER CAPACITY (80%)	669 L (177 GAL.)	177 GAL. (669 L)
INFLATED SIZE	1.80 M X 66 CM (71" X 26")	71 IN. X 26 IN. (1.80 M X 66 CM)
INNER SIZE	1.32 M (52")	52 IN. (1.32 M)
FILLED WEIGHT	696 KG (1,534 LBS)	1,534 LBS (696 KG)
RATING	220-240V~50HZ, 2050W AT 20°C (68°F)	110-120V~ 60HZ, 12A AT 68°F (20°C)
ACTUAL WATER FLOW	1,325 L/H (350 GAL./H)	320 GAL./H (1,211 L/H)
HEATING SYSTEM	APPROX. 1.5-2.0°C/H (3-4°F/H)	APPROX. 2-3°F/H (1.0-1.5°C/H)
CERTIFICATION	CE/GS(TUV-RL)/EAC/CM	CETL
PACK/ GROSS WEIGHT	1 EA., 33.86 KG (74.65 LBS)	1 EA., 72.86 LBS. (33.29 KG)

DIGITAL CONTROL PANEL



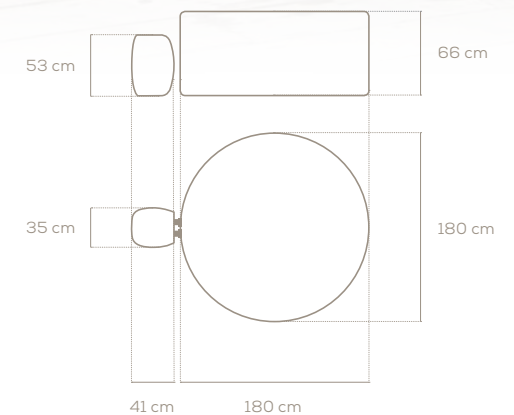


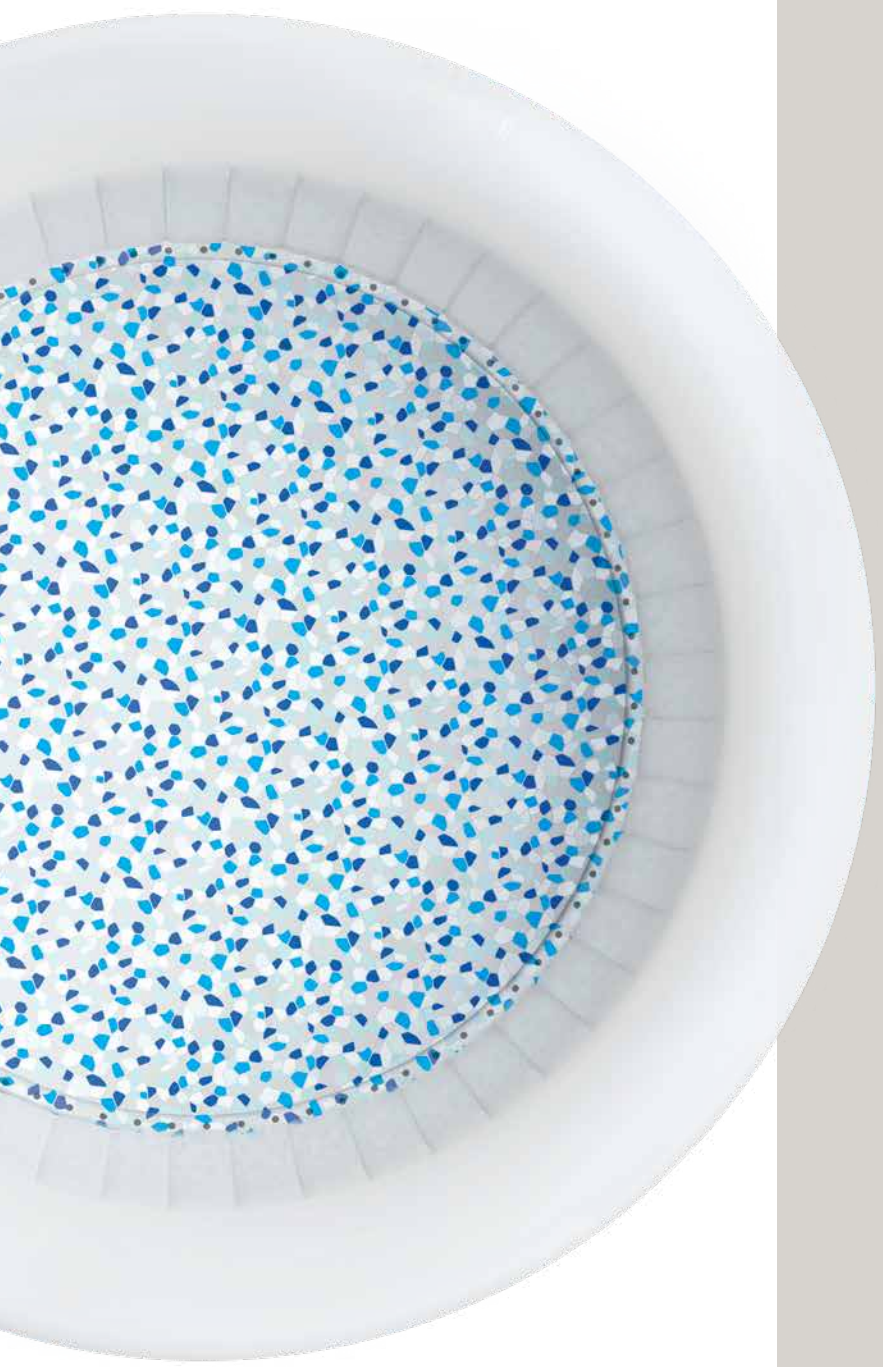
BAHAMAS 60005 + 60006



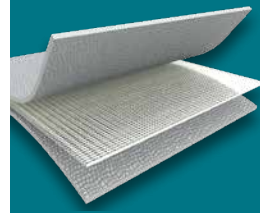
- Soothing AirJet™ bubble massage system (120 jets)
- Ultra-strong DuraPlus™ walls are stress tested to offer durability
- Freeze Shield™ automatic heating prevents water from freezing & damaging the spa
- Program the spa heater up to 40 days in advance for future use
- ChemConnect™ dispenser provides a stable level of chlorine throughout the spa
- Power-saving, timer-controlled heating system
- Digital control panel & spa pump with integrated filtration system includes cup holders and is accessible from inside the spa
- Reinforced cover with safety lock clips

Contents: 1 spa, 1 pool cover, 1 spa pump, filter cartridge (VI), 1 ChemConnect™ dispenser, repair patch, AirJet™ system





BAHAMAS 60005 + 60006



DURAPLUS™ CONSTRUCTION

Both the outer and inner walls offer superior structural stability, providing puncture-resistance and protection against exposure to UV rays.



BEAM CONSTRUCTION

DELIVERING STRENGTH AND COMFORT

Lay-Z-Spa's Beam construction is designed to offer superior structural stability while maintaining a comfortable surface for a luxurious, refreshing spa experience.



SPECIFICATIONS

	60005	60006
WATER CAPACITY (80%)	669 L (177 GAL.)	177 GAL. (669 L)
INFLATED SIZE	1.80 M X 66 CM (71" X 26")	71 IN. X 26 IN. (1.80 M X 66 CM)
INNER SIZE	1.32 M (52")	52 IN. (1.32 M)
FILLED WEIGHT	696 KG (1,534 LBS)	1,534 LBS (696 KG)
RATING	220-240V~50HZ, 2050W AT 20°C (68°F)	110-120V~ 60HZ, 12A AT 68°F (20°C)
ACTUAL WATER FLOW	1,325 L/H (350 GAL./H)	320 GAL./H (1,211 L/H)
HEATING SYSTEM	APPROX. 1.5-2.0°C/H (3-4°F/H)	APPROX. 2-3°F/H (1.0-1.5°C/H)
CERTIFICATION	CE/GS(TUV-RL)/EAC/CM	CETL
PACK/ GROSS WEIGHT	1 EA., 33.86 KG (74.65 LBS)	1 EA., 72.86 LBS. (33.29 KG)

SPA FEATURES



FREEZE SHIELD™



NO TOOLS
REQUIRED



40 °C
MAX TEMP
40 °C (104 °F)



CAPACITY
2-4 PEOPLE



AIRJET™
MASSAGE
SYSTEM



POWER SAVING
TIMER

DIGITAL CONTROL PANEL





CANCUN 60003 + 60004

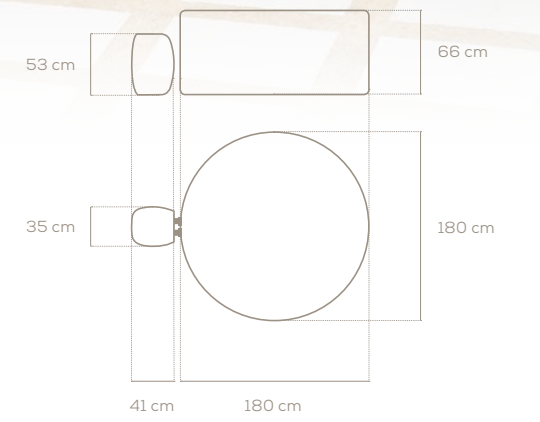


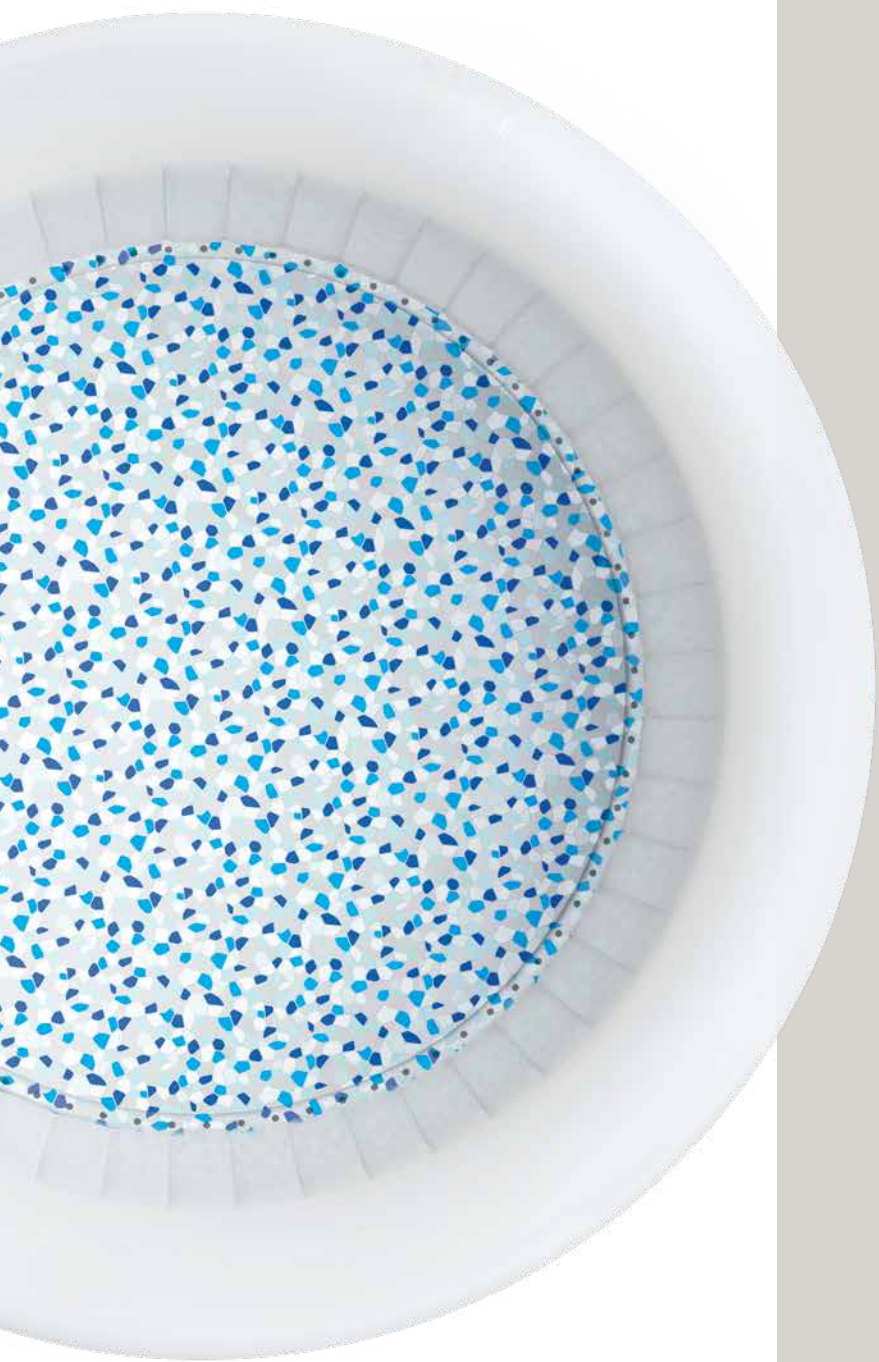
NEW GENERATION



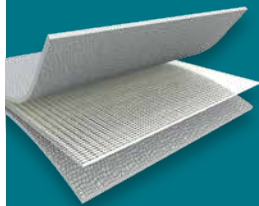
- Soothing AirJet™ bubble massage system (120 jets)
- Ultra-strong DuraPlus™ walls are stress tested to offer durability
- Freeze Shield™ automatic heating prevents water from freezing & damaging the spa
- Program the spa heater up to 40 days in advance for future use
- ChemConnect™ dispenser provides a stable level of chlorine throughout the spa
- Power-saving, timer-controlled heating system
- Digital control panel & spa pump with integrated filtration system includes cup holders and is accessible from inside the spa
- Reinforced cover with safety lock clips

Contents: 1 spa, 1 pool cover, 1 spa pump, filter cartridge (VI), 1 ChemConnect™ dispenser, repair patch, AirJet™ system





CANCUN 60003+60004



DURAPLUS™ CONSTRUCTION

Both the outer and inner walls offer superior structural stability, providing puncture-resistance and protection against exposure to UV rays.



BEAM CONSTRUCTION

DELIVERING STRENGTH AND COMFORT

Lay-Z-Spa's Beam construction is designed to offer superior structural stability while maintaining a comfortable surface for a luxurious, refreshing spa experience.



SPA FEATURES



FREEZE SHIELD™



NO TOOLS
REQUIRED



40 °C
MAX TEMP
40 °C (104 °F)



CAPACITY
2-4 PEOPLE



AIRJET™
MASSAGE
SYSTEM

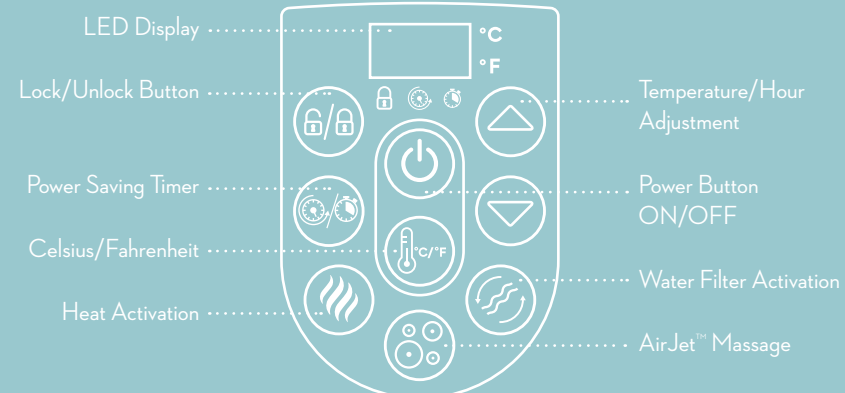


POWER SAVING
TIMER

SPECIFICATIONS

	60003	60004
WATER CAPACITY (80%)	669 L (177 GAL.)	177 GAL. (669 L)
INFLATED SIZE	1.80 M X 66 CM (71" X 26")	71 IN. X 26 IN. (1.80 M X 66 CM)
INNER SIZE	1.32 M (52")	52 IN. (1.32 M)
FILLED WEIGHT	696 KG (1,534 LBS)	1,534 LBS (696 KG)
RATING	220-240V~50HZ, 2050W AT 20°C (68°F)	110-120V~ 60HZ, 12A AT 68°F (20°C)
ACTUAL WATER FLOW	1,325 L/H (350 GAL./H)	320 GAL./H (1,211 L/H)
HEATING SYSTEM	APPROX. 1.5-2.0°C/H (3-4°F/H)	APPROX. 2-3°F/H (1.0-1.5°C/H)
CERTIFICATION	CE/GS(TUV-RL)/EAC/CM	CETL
PACK/ GROSS WEIGHT	1 EA., 33.86 KG (74.65 LBS)	1 EA., 72.86 LBS. (33.29 KG)

DIGITAL CONTROL PANEL





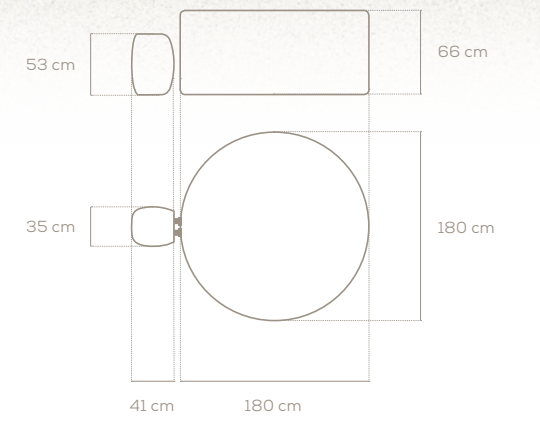
NEW
GENERATION

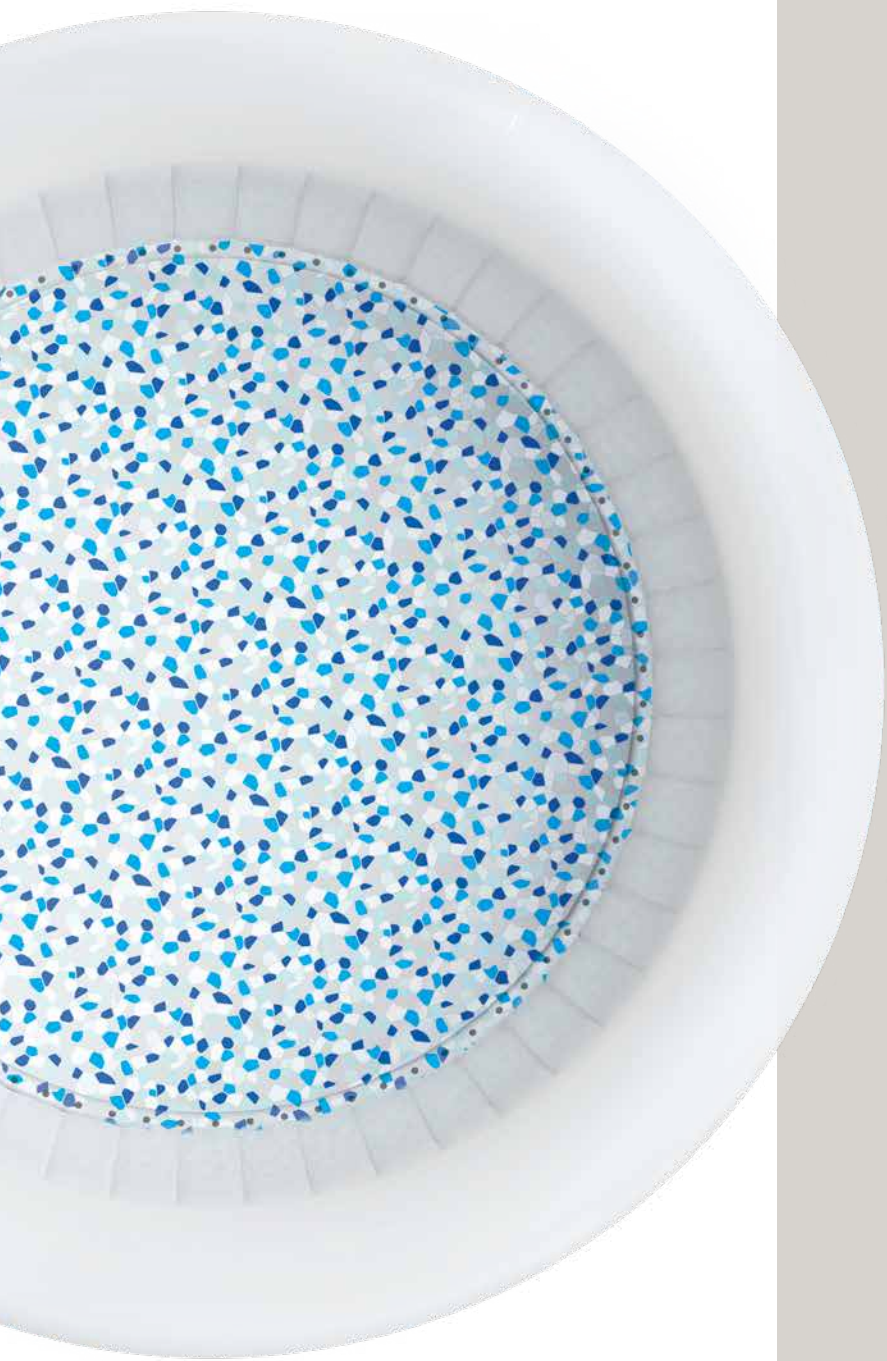
TAHITI 60007+60008



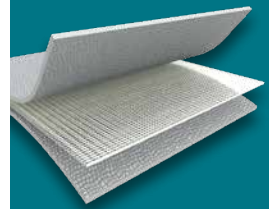
- Soothing AirJet™ bubble massage system (120 jets)
- Ultra-strong DuraPlus™ walls are stress tested to offer durability
- Freeze Shield™ automatic heating prevents water from freezing & damaging the spa
- Program the spa heater up to 40 days in advance for future use
- ChemConnect™ dispenser provides a stable level of chlorine throughout the spa
- 7-Color LED light uses 3 AAA batteries (Batteries not included)
- Power-saving, timer-controlled heating system
- Digital control panel & spa pump with integrated filtration system includes cup holders and is accessible from inside the spa
- Reinforced cover with safety lock clips

Contents: 1 spa, 1 pool cover, 1 spa pump, filter cartridge (VI), 1 ChemConnect™ dispenser, 1 LED light, repair patch, AirJet™ system





TAHITI 60007+60008



DURAPLUS™ CONSTRUCTION

Both the outer and inner walls offer superior structural stability, providing puncture-resistance and protection against exposure to UV rays.



BEAM CONSTRUCTION

DELIVERING STRENGTH AND COMFORT

Lay-Z-Spa's Beam construction is designed to offer superior structural stability while maintaining a comfortable surface for a luxurious, refreshing spa experience.



SPA FEATURES



FREEZE SHIELD™



NO TOOLS
REQUIRED



40 °C
MAX TEMP
40 °C (104 °F)



CAPACITY
2-4 PEOPLE



AIRJET™
MASSAGE
SYSTEM



POWER SAVING
TIMER

SPECIFICATIONS

	60007	60008
WATER CAPACITY (80%)	669 L (177 GAL.)	177 GAL. (669 L)
INFLATED SIZE	1.80 M X 66 CM (71" X 26")	71 IN. X 26 IN. (1.80 M X 66 CM)
INNER SIZE	1.32 M (52")	52 IN. (1.32 M)
FILLED WEIGHT	696 KG (1,534 LBS)	1,534 LBS (696 KG)
RATING	220-240V~50HZ, 2050W AT 20°C (68°F)	110-120V~ 60HZ, 12A AT 68°F (20°C)
ACTUAL WATER FLOW	1,325 L/H (350 GAL./H)	320 GAL./H (1,211 L/H)
HEATING SYSTEM	APPROX. 1.5-2.0°C/H (3-4°F/H)	APPROX. 2-3°F/H (1.0-1.5°C/H)
CERTIFICATION	CE/GS(TUV-RL)/EAC/CM	CETL
PACK/ GROSS WEIGHT	1 EA., 33.96 KG (74.87 LBS)	1 EA., 73.61 LBS. (33.39 KG)

DIGITAL CONTROL PANEL





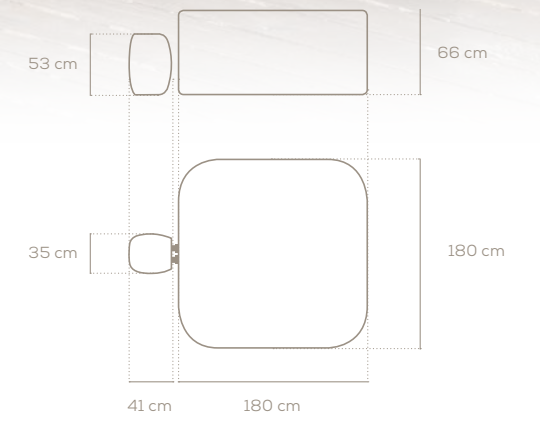
IBIZA 60015+60016

NEW



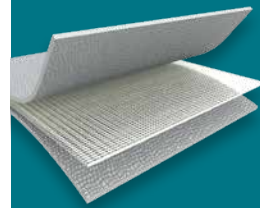
- Soothing AirJet™ bubble massage system (140 jets)
- Ultra-strong DuraPlus™ walls are stress tested to offer durability
- Freeze Shield™ automatic heating prevents water from freezing & damaging the spa
- Program the spa heater up to 40 days in advance for future use
- ChemConnect™ dispenser provides a stable level of chlorine throughout the spa
- Power-saving, timer-controlled heating system
- Digital control panel & spa pump with integrated filtration system includes cup holders and is accessible from inside the spa
- Reinforced cover with safety lock clips

Contents: 1 spa, 1 pool cover, 1 spa pump, filter cartridge (VI), 1 ChemConnect™ dispenser, repair patch, AirJet™ system



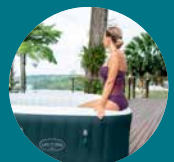


IBIZA 60015+60016



DURAPLUS™ CONSTRUCTION

Both the outer and inner walls offer superior structural stability, providing puncture-resistance and protection against exposure to UV rays.



BEAM CONSTRUCTION

DELIVERING STRENGTH AND COMFORT

Lay-Z-Spa's Beam construction is designed to offer superior structural stability while maintaining a comfortable surface for a luxurious, refreshing spa experience.



SPA FEATURES



FREEZE SHIELD™



NO TOOLS
REQUIRED



40 °C
MAX TEMP
40 °C (104 °F)



CAPACITY
4-6 PEOPLE



AIRJET™
MASSAGE
SYSTEM



POWER SAVING
TIMER

SPECIFICATIONS

	60015	60016
WATER CAPACITY (70%)	778 L (205 GAL.)	205 GAL. (778 L)
INFLATED SIZE	1.80 M X 1.80 M X 66 CM (71" X 71" X 26")	71 IN. X 71 IN. X 26 IN. (1.80 M X 1.80 M X 66 CM)
INNER SIZE	1.32 M X 1.32M (52" X 52")	52 IN. X 52 IN. (1.32 M X 1.32 M)
FILLED WEIGHT	807 KG (1,779 LBS)	1,779 LBS (807 KG)
RATING	220-240V-50HZ, 2050W AT 20°C (68°F)	110-120V- 60HZ, 12A AT 68°F (20°C)
ACTUAL WATER FLOW	1,325 L/H (350 GAL./H)	320 GAL./H (1,211 L/H)
HEATING SYSTEM	APPROX. 1.5-2.0°C/H (3-4°F/H)	APPROX. 2-3°F/H (1.0-1.5°C/H)
CERTIFICATION	CE/GS(TUV-RL)/EAC/CM	CETL
PACK/ GROSS WEIGHT	1 EA., 37.61 KG (82.92 LBS)	1 EA., 81.70 LBS. (37.06 KG)

DIGITAL CONTROL PANEL





HONOLULU 60019+60020

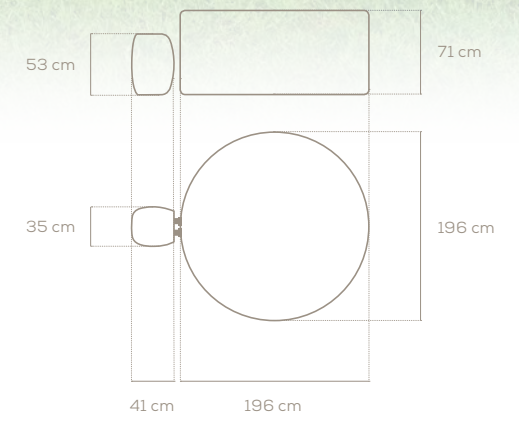


NEW GENERATION



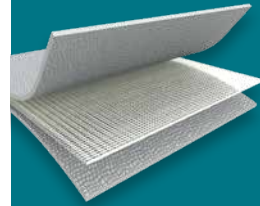
- Soothing AirJet™ bubble massage system (140 jets)
- Ultra-strong DuraPlus™ internal beams and outer walls offer superior structural stability
- Freeze Shield™ automatic heating prevents water from freezing & damaging the spa
- Program the spa heater up to 40 days in advance for future use
- ChemConnect™ dispenser provides a stable level of chlorine throughout the spa
- Power-saving, timer-controlled heating system
- Digital control panel & spa pump with integrated filtration system includes cup holders and is accessible from inside the spa
- Rattan print on outside with mosaic print on the inside
- Reinforced cover with safety lock clips

Contents: 1 spa, 1 pool cover, 1 spa pump, 1 ChemConnect™ dispenser, filter cartridge (VI), repair kit, AirJet™ system





HONOLULU 60019 + 60020



DURAPLUS™ CONSTRUCTION

Internal beams offer superior structural stability that can retain their shape no matter how many times the spa is inflated or deflated.



Y-BEAM CONSTRUCTION

DELIVERING STRENGTH AND COMFORT

Lay-Z-Spa's Y-Beam construction is designed to offer superior structural stability while maintaining a comfortable surface for a luxurious, refreshing spa experience.



SPECIFICATIONS

	60019	60020
WATER CAPACITY (80%)	916 L (242 GAL.)	242 GAL. (916 L)
INFLATED SIZE	1.96 M X 71 CM (77" X 28")	77 IN. X 28 IN. (1.96 M X 71 CM)
INNER SIZE	1.46 M (57")	57 IN. (1.46 M)
FILLED WEIGHT	954 KG (2,103 LBS)	2,103 LBS (954 KG)
RATING	220-240V~50HZ, 2050W AT 20°C (68°F)	110-120V~ 60HZ, 12A AT 68°F (20°C)
ACTUAL WATER FLOW	1,325 L/H (350 GAL./H)	320 GAL./H (1,211 L/H)
HEATING SYSTEM	APPROX. 1.5-2.0°C/H (3-4°F/H)	APPROX. 2-3°F/H (1.0-1.5°C/H)
CERTIFICATION	CE/EAC/GS(TUV-RL)/CM	CETL
PACK/ GROSS WEIGHT	1 EA., 41.30 KG (91.06 LBS)	1 EA., 87.86 LBS. (39.85 KG)

SPA FEATURES



FREEZE SHIELD™



NO TOOLS
REQUIRED



40 °C
MAX TEMP
40 °C (104 °F)



CAPACITY
4-6 PEOPLE



AIRJET™
MASSAGE
SYSTEM



POWER SAVING
TIMER

DIGITAL CONTROL PANEL





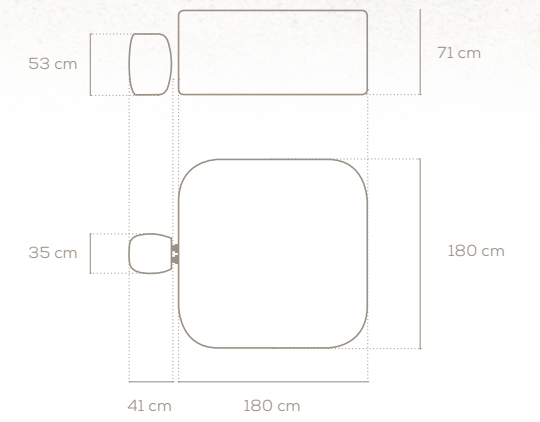
**NEW
GENERATION**

HAWAII 60021+60022



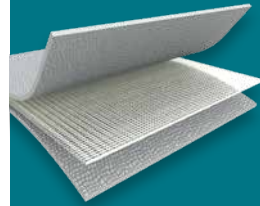
- Soothing AirJet™ bubble massage system (140 jets)
- Ultra-strong DuraPlus™ internal beams and outer walls offer superior structural stability
- Freeze Shield™ automatic heating prevents water from freezing & damaging the spa
- Program the spa heater up to 40 days in advance for future use
- ChemConnect™ dispenser provides a stable level of chlorine throughout the spa
- Power-saving, timer-controlled heating system
- Digital control panel & spa pump with integrated filtration system includes cup holders and is accessible from inside the spa
- Reinforced cover with safety lock clips

Contents: 1 spa, 1 pool cover, 1 spa pump, 1 ChemConnect™ dispenser, filter cartridge (VI), repair kit, AirJet™ system



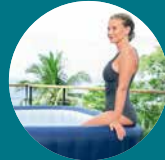


HAWAII 60021+60022



DURAPLUS™ CONSTRUCTION

Internal beams offer superior structural stability that can retain their shape no matter how many times the spa is inflated or deflated.



Y-BEAM CONSTRUCTION

DELIVERING STRENGTH AND COMFORT

Lay-Z-Spa's Y-Beam construction is designed to offer superior structural stability while maintaining a comfortable surface for a luxurious, refreshing spa experience.



SPECIFICATIONS

	60021	60022
WATER CAPACITY (80%)	840 L (222 GAL.)	222 GAL. (840 L)
INFLATED SIZE	1.80 M X 1.80 M X 71 CM (71" X 71" X 28")	71 IN. X 71 IN. X 28 IN. (1.80 M X 1.80 M X 71 CM)
INNER SIZE	1.30 M X 1.30 M (51" X 51")	51 IN. X 51 IN. (1.30 M X 1.30 M)
FILLED WEIGHT	879 KG (1,938 LBS)	1,938 LBS (879 KG)
RATING	220-240V~50HZ, 2050W AT 20°C (68°F)	110-120V~ 60HZ, 12A AT 68°F (20°C)
ACTUAL WATER FLOW	1,325 L/H (350 GAL./H)	320 GAL./H (1,211 L/H)
HEATING SYSTEM	APPROX. 1.5-2.0°C/H (3-4°F/H)	APPROX. 2-3°F/H (1.0-1.5°C/H)
CERTIFICATION	CE/EAC/GS(TUV-RL)/CM	CETL
PACK/ GROSS WEIGHT	1 EA., 42.49 KG (93.67 LBS)	1 EA., 90.47 LBS. (41.04 KG)

SPA FEATURES



FREEZE SHIELD™



NO TOOLS
REQUIRED



40 °C
MAX TEMP
40 °C (104 °F)



CAPACITY
4-6 PEOPLE



AIRJET™
MASSAGE
SYSTEM



POWER SAVING
TIMER

DIGITAL CONTROL PANEL





ST. MORITZ 60023+60024

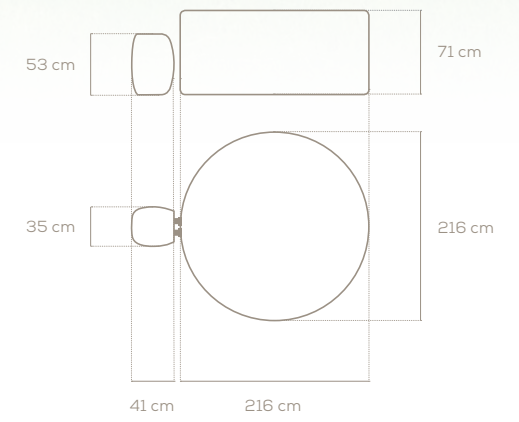


**NEW
GENERATION**



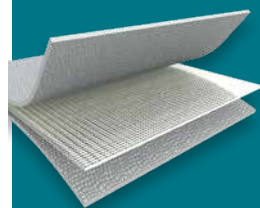
- Soothing AirJet™ bubble massage system (180 jets)
- Ultra-strong DuraPlus™ internal beams and outer walls offer superior structural stability
- Freeze Shield™ automatic heating prevents water from freezing & damaging the spa
- Program the spa heater up to 40 days in advance for future use
- ChemConnect™ dispenser provides a stable level of chlorine throughout the spa
- Power-saving, timer-controlled heating system
- Digital control panel & spa pump with integrated filtration system includes cup holders and is accessible from inside the spa
- Rattan print on outside with mosaic print on the inside
- Reinforced cover with safety lock clips

Contents: 1 spa, 1 pool cover, 1 spa pump, 1 ChemConnect™ dispenser, filter cartridge (VI), repair kit, AirJet™ system





ST. MORITZ 60023 + 60024



DURAPLUS™ CONSTRUCTION

Internal beams offer superior structural stability that can retain their shape no matter how many times the spa is inflated or deflated.



Y-BEAM CONSTRUCTION

DELIVERING STRENGTH AND COMFORT

Lay-Z-Spa's Y-Beam construction is designed to offer superior structural stability while maintaining a comfortable surface for a luxurious, refreshing spa experience.



SPA FEATURES



FREEZE SHIELD™



NO TOOLS
REQUIRED



40 °C
MAX TEMP
40 °C (104 °F)



CAPACITY
5-7 PEOPLE



AIRJET™
MASSAGE
SYSTEM

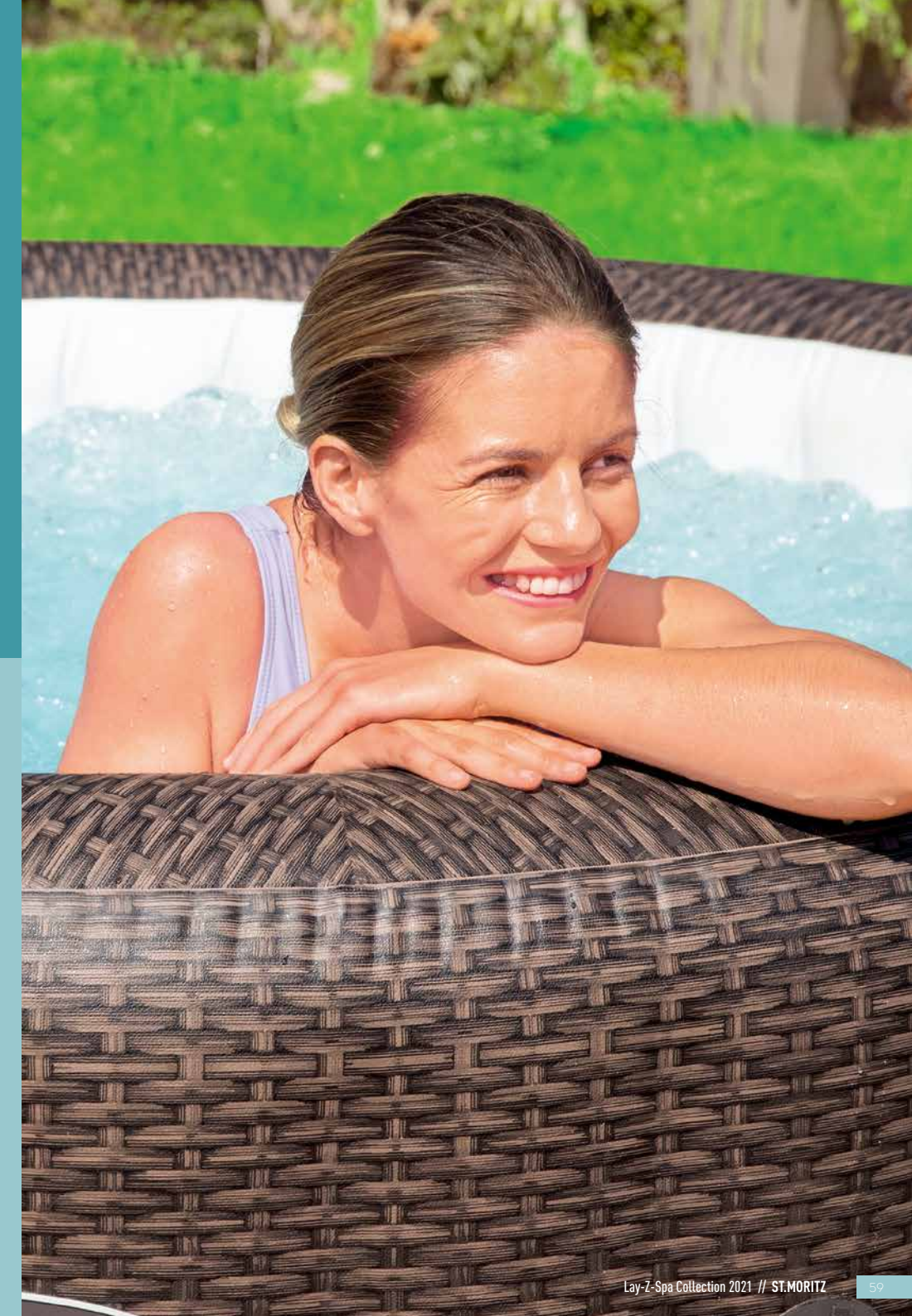
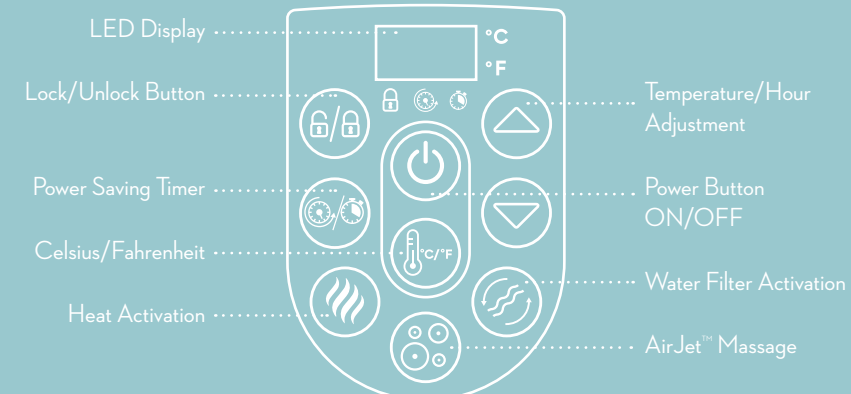


POWER SAVING
TIMER

SPECIFICATIONS

	60023	60024
WATER CAPACITY (80%)	1,190 L (314 GAL.)	314 GAL. (1,190 L)
INFLATED SIZE	2.16 M X 71 CM (85" X 28")	85 IN. X 28 IN. (2.16 M X 71 CM)
INNER SIZE	1.66 M (65")	65 IN. (1.66M)
FILLED WEIGHT	1,210 KG (2,668 LBS)	2,668 LBS (1,210 KG)
RATING	220-240V~50HZ, 2050W AT 20°C (68°F)	110-120V~ 60HZ, 12A AT 68°F (20°C)
ACTUAL WATER FLOW	1,325 L/H (350 GAL./H)	320 GAL./H (1,211 L/H)
HEATING SYSTEM	APPROX. 1.0-1.5°C/H (2-3°F/H)	APPROX. 1.0-2.0°F/H (0.5-1.0°C/H)
CERTIFICATION	CE/EAC/GS(TUV-RL)/CM	CETL
PACK/ GROSS WEIGHT	1 EA., 45.09 KG (100.74 LBS)	1 EA., 97.50 LBS. (44.23 KG)

DIGITAL CONTROL PANEL





HEL SINKI 60025+60026

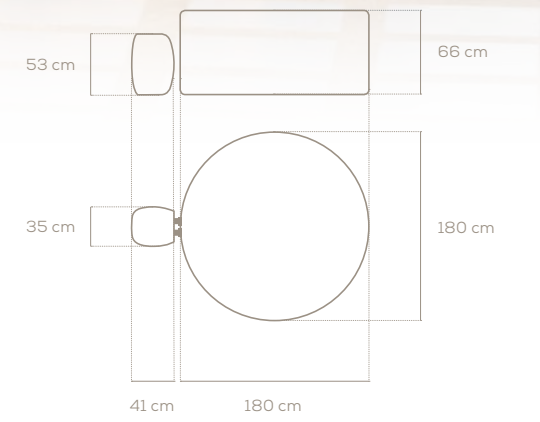


NEW GENERATION



- Soothing AirJet™ bubble massage system (180 jets)
- Walls are made of drop stitch material, providing a strong and durable hard-sided spa
- Freeze Shield™ automatic heating prevents water from freezing & damaging the spa
- Program the spa heater up to 40 days in advance for future use
- ChemConnect™ dispenser provides a stable level of chlorine throughout the spa
- Power-saving, timer-controlled heating system
- Digital control panel & spa pump with integrated filtration system includes cup holders and is accessible from inside the spa
- Reinforced cover with safety lock clips

Contents: 1 spa, 1 pool cover, 1 spa heater, 1 ChemConnect™ dispenser, 1 high pressure hand pump, filter cartridge (VI), repair kit, AirJet™ system

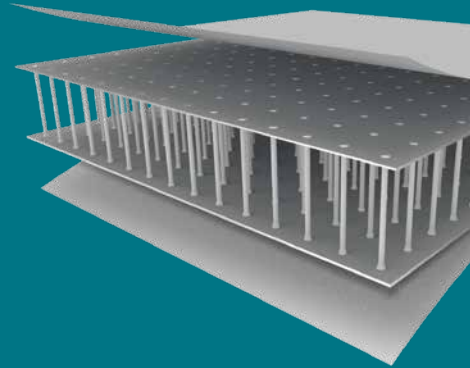




DROP STITCH MATERIAL

STRENGTH & DURABILITY

The inflated walls are made from drop stitch material, providing unparalleled strength and durability. Thousands of fine threads securely connect the sidewalls, which seal in air to keep the spa inflated. This material can support considerable weight while still being light and portable when deflated.



SPA FEATURES



FREEZE SHIELD™



NO TOOLS REQUIRED



40 °C

MAX TEMP
40 °C (104 °F)



CAPACITY
5-7 PEOPLE



AIRJET™
MASSAGE
SYSTEM



POWER SAVING
TIMER

SPECIFICATIONS

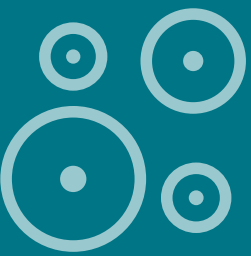
	60025	60026
WATER CAPACITY (80%)	1,123 L (297 GAL.)	297 GAL. (1,123 L)
INFLATED SIZE	1.80 M X 66 CM (71" X 26")	71 IN. X 26 IN. (1.80 M X 66 CM)
INNER SIZE	1.70 M (67")	67 IN. (1.70 M)
FILLED WEIGHT	1,155 KG (2,548 LBS)	2,548 LBS (1,155 KG)
RATING	220-240V~50HZ, 2050W AT 20°C (68°F)	110-120V~ 60HZ, 12A AT 68°F (20°C)
ACTUAL WATER FLOW	1,325 L/H (350 GAL./H)	320 GAL./H (1,211 L/H)
HEATING SYSTEM	APPROX. 1.0-1.5°C/H (2-3°F/H)	APPROX. 1.0-2.0°F/H (0.5-1.0°C/H)
CERTIFICATION	CE/EAC/GS(TUV-RL)	CETL
PACK/ GROSS WEIGHT	1 EA., 38.02 KG (83.81 LBS)	1 EA., 81.28 LBS. (36.87 KG)

DIGITAL CONTROL PANEL



HEL SINKI 60025+60026





AIRJET PLUS™ SYSTEM

MASSAGING BUBBLES ARE THE PERFECT WAY TO UNWIND.

The AirJet Plus system releases bubbles from both the bottom and the sidewalls of the spa to target both the legs and back.



BESTWAY SMART HUB™ APP

With the Bestway Smart Hub™ app, control is right in the palm of your hand. Compatible with smart devices, the Spa Control section of the app lets users set their spa to the perfect temperature. They can also activate the Power-Saving Timer, the water filter, and the AirJet massage system with the touch of a button!

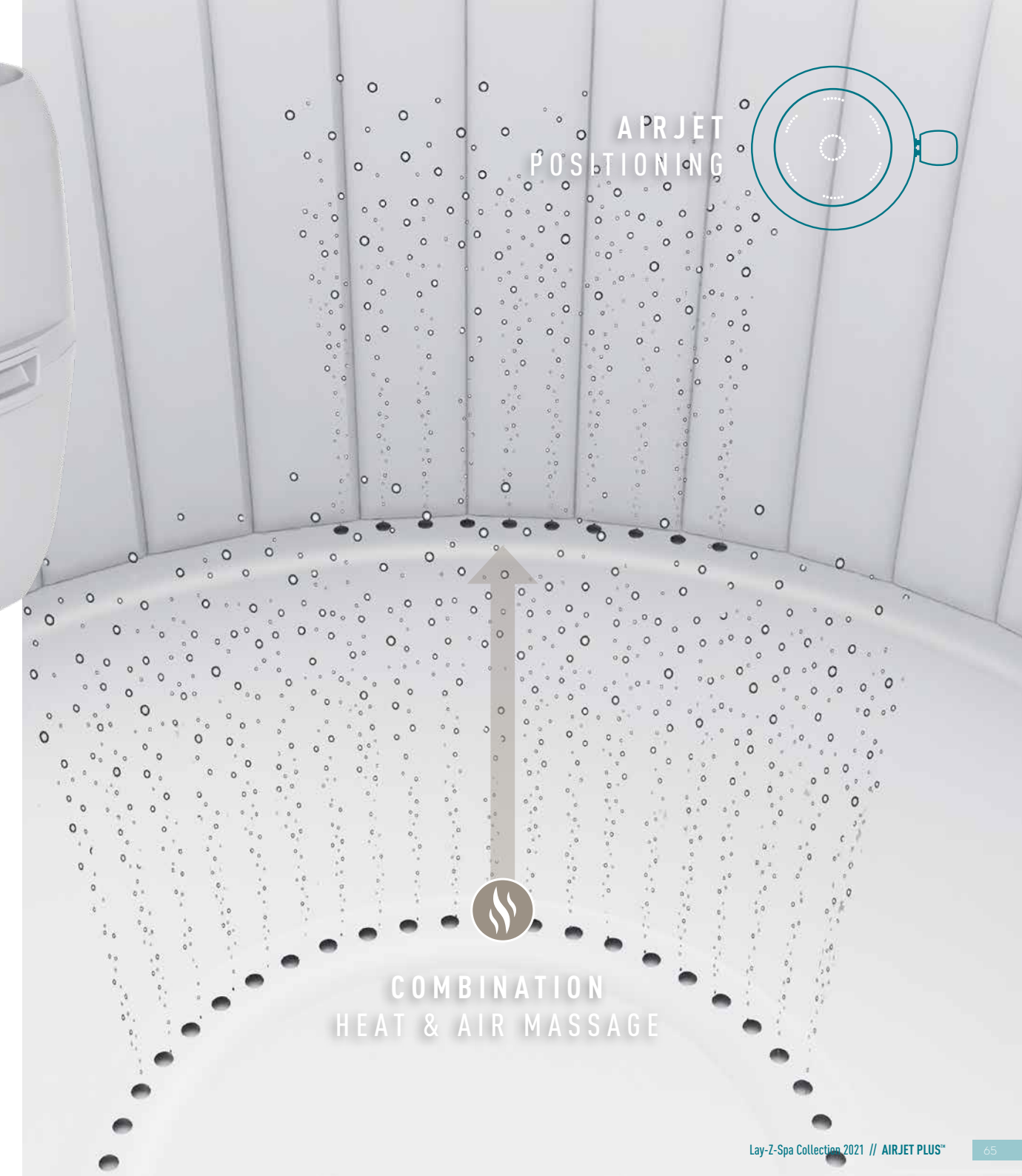
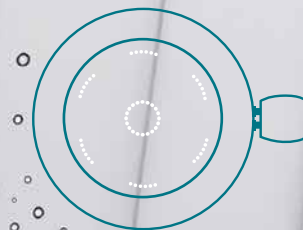


MULTI-FUNCTION PUMP

The included spa pump is convenient and accessible, complete with a new digital interface and cup holders. This pump inflates the spa, starts the heating and massage systems, and can activate the filtration system. The best part is that the new design now allows users to adjust their needs without standing up or exiting the spa.



AIRJET POSITIONING



COMBINATION HEAT & AIR MASSAGE



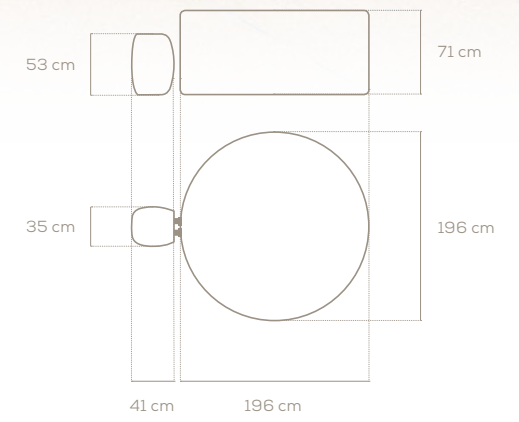
NEW
GENERATION

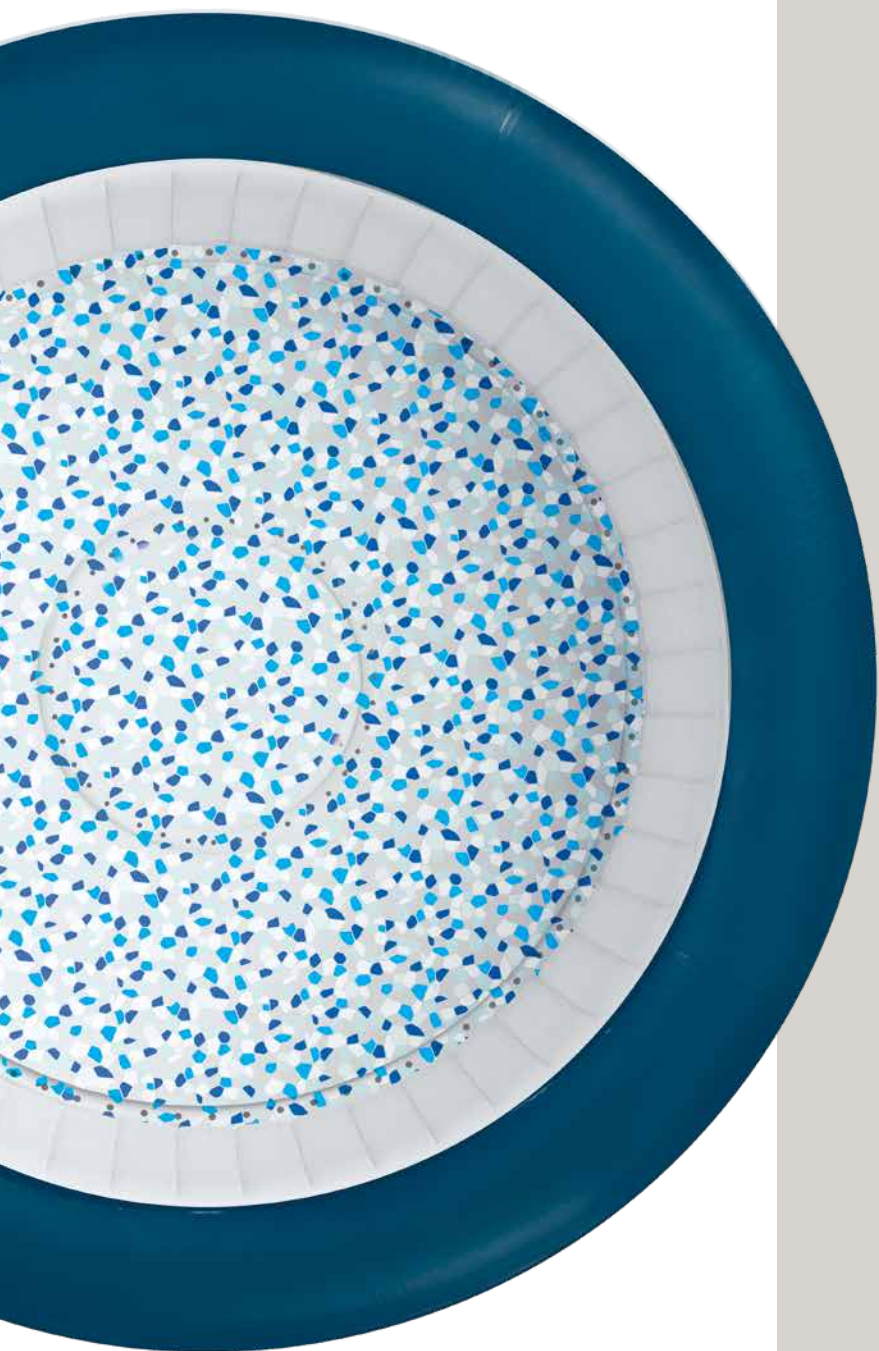
MILAN 60029+60030



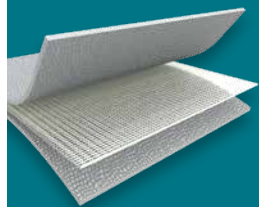
- Soothing AirJet Plus™ targeted bubble massage system (140 jets)
- Massage regulator provides 2 intensity level options
- Ultra-strong DuraPlus™ internal beams and outer walls offer superior structural stability
- Freeze Shield™ automatic heating prevents water from freezing & damaging the spa
- Program the spa heater up to 40 days in advance for future use
- Built-in Wi-Fi module, spa can be controlled through a phone app
- ChemConnect™ dispenser provides a stable level of chlorine throughout the spa
- Power-saving, timer-controlled heating system
- Digital control panel & spa pump with integrated filtration system includes cup holders and is accessible from inside the spa
- Reinforced cover with safety lock clips

Contents: 1 spa, 1 pool cover, 1 spa pump, 1 ChemConnect™ dispenser, filter cartridge (VI), repair kit, AirJet Plus™ system





MILAN 60029 + 60030



DURAPLUS™ CONSTRUCTION

Internal beams offer superior structural stability that can retain their shape no matter how many times the spa is inflated or deflated.



Y-BEAM CONSTRUCTION

DELIVERING STRENGTH AND COMFORT

Lay-Z-Spa's Y-Beam construction is designed to offer superior structural stability while maintaining a comfortable surface for a luxurious, refreshing spa experience.



SPECIFICATIONS

	60029	60030
WATER CAPACITY (80%)	916 L (242 GAL.)	242 GAL. (916 L)
INFLATED SIZE	1.96 M X 71 CM (77" X 28")	77 IN. X 28 IN. (1.96 M X 71 CM)
INNER SIZE	1.46 M (57")	57 IN. (1.46 M)
FILLED WEIGHT	954 KG (2,103 LBS)	2,103 LBS (954 KG)
RATING	220-240V~50HZ, 2050W AT 20°C (68°F)	110-120V~ 60HZ, 12A AT 68°F (20°C)
ACTUAL WATER FLOW	1,325 L/H (350 GAL./H)	320 GAL./H (1,211 L/H)
HEATING SYSTEM	APPROX. 1.5-2.0°C/H (3-4°F/H)	APPROX. 2-3°F/H (1.0-1.5°C/H)
CERTIFICATION	CE/EAC/GS(TUV-RL)/CM	CETL
PACK/ GROSS WEIGHT	1 EA., 41.44 KG (91.35 LBS)	1 EA., 88.16 LBS. (39.99 KG)

SPA FEATURES



FREEZE SHIELD™



NO TOOLS
REQUIRED



MAX TEMP
40 °C (104 °F)



CAPACITY
4-6 PEOPLE



AIRJET PLUS™
MESSAGE
SYSTEM



POWER SAVING
TIMER

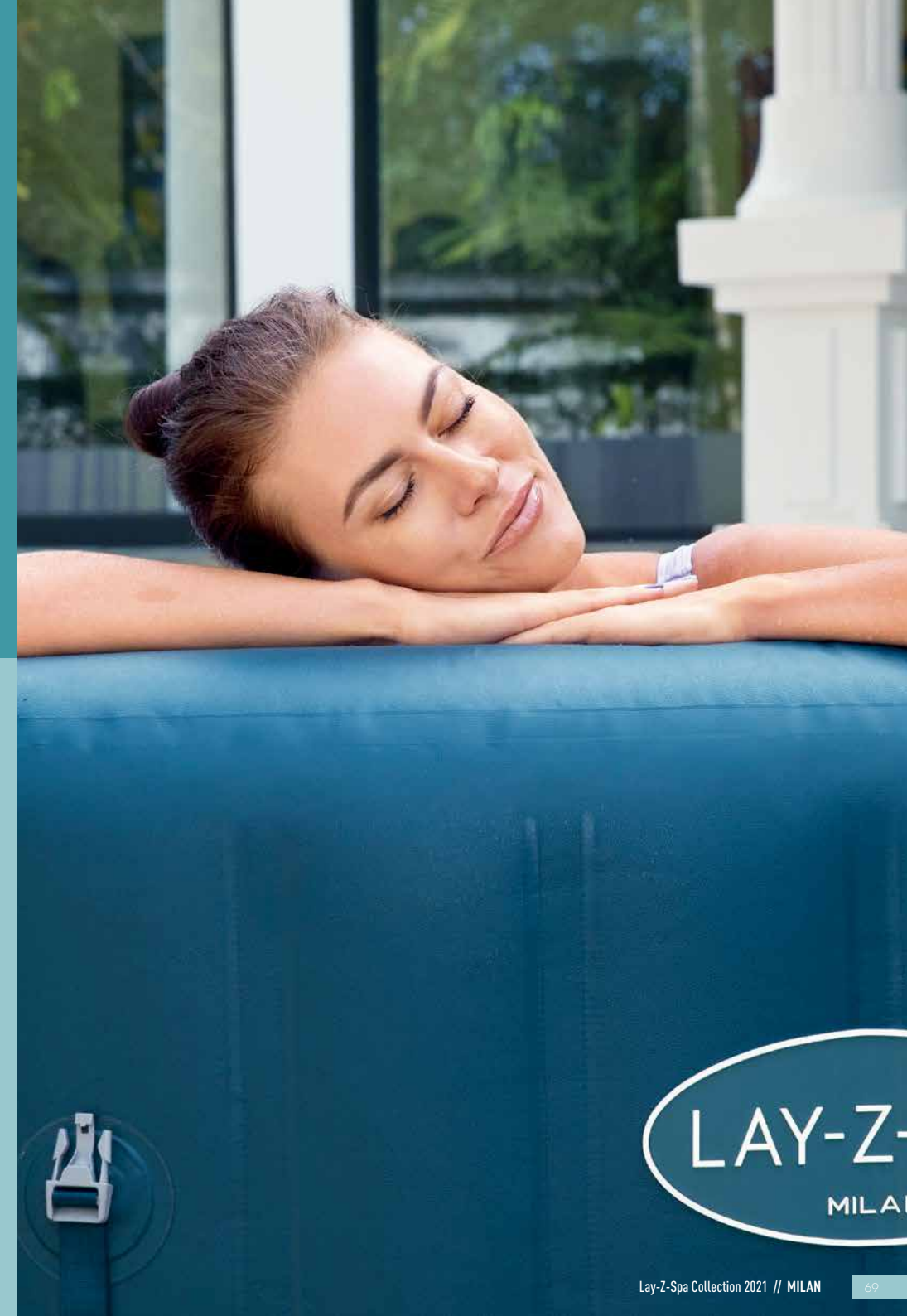


1x
100%
2x
50%
MESSAGE
REGULATION
2 Intensity Levels



WIFI
CONNECTION

DIGITAL CONTROL PANEL







VANCOUVER 60027+60028

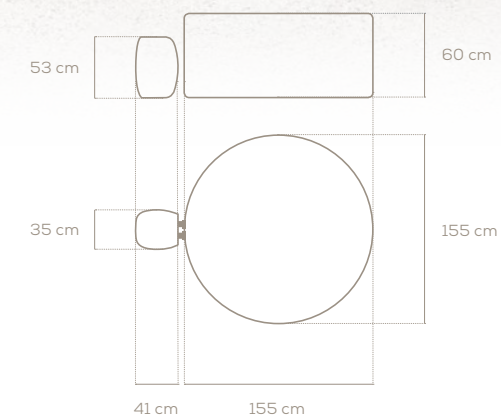


NEW



- Soothing AirJet Plus™ targeted bubble massage system (140 jets)
- Massage regulator provides 2 intensity level options
- Walls are made of drop stitch material, providing a strong and durable hard-sided spa
- Freeze Shield™ automatic heating prevents water from freezing & damaging the spa
- Program the spa heater up to 40 days in advance for future use
- Built-in Wi-Fi module, spa can be controlled through a phone app
- ChemConnect™ dispenser provides a stable level of chlorine throughout the spa
- Power-saving, timer-controlled heating system
- Digital control panel & spa pump with integrated filtration system includes cup holders and is accessible from inside the spa
- Reinforced cover with safety lock clips

Contents: 1 spa, 1 pool cover, 1 spa heater, 1 ChemConnect™ dispenser, 1 high pressure hand pump, filter cartridge (VI), repair kit, AirJet Plus™ system



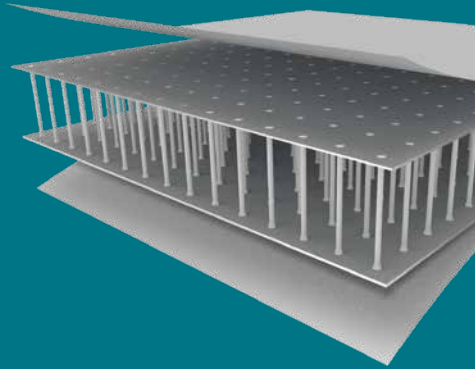


VANCOUVER 60027 + 60028

DROP STITCH MATERIAL

STRENGTH & DURABILITY

The inflated walls are made from drop stitch material, providing unparalleled strength and durability. Thousands of fine threads securely connect the sidewalls, which seal in air to keep the spa inflated. This material can support considerable weight while still being light and portable when deflated.



SPA FEATURES



FREEZE SHIELD™



NO TOOLS
REQUIRED



MAX TEMP
40 °C (104 °F)



CAPACITY
3-5 PEOPLE



AIRJET PLUS™
MASSAGE
SYSTEM



POWER SAVING
TIMER



MASSAGE
REGULATION
2 Intensity Levels

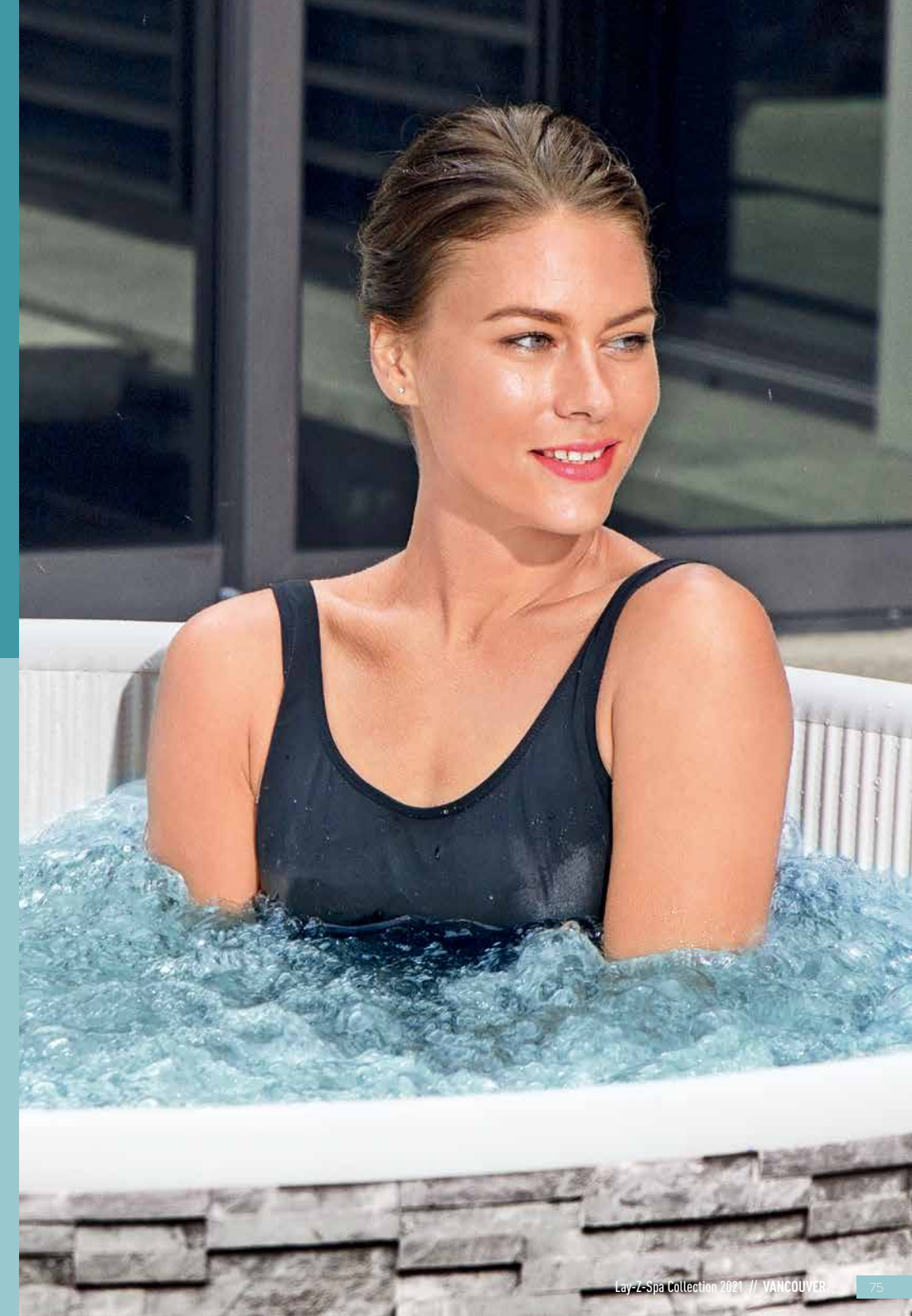


WIFI
CONNECTION

SPECIFICATIONS

	60027	60028
WATER CAPACITY (80%)	804 L (213 GAL.)	213 GAL. (804 L)
INFLATED SIZE	1.55 M X 60 CM (61" X 24")	61 IN. X 24 IN. (1.55 M X 60 CM)
INNER SIZE	1.45 M (57")	57 IN. (1.45 M)
FILLED WEIGHT	831 KG (1,833 LBS)	1,833 LBS (831 KG)
RATING	220-240V-50HZ, 2050W AT 20°C (68°F)	110-120V- 60HZ, 12A AT 68°F (20°C)
ACTUAL WATER FLOW	1,325 L/H (350 GAL./H)	320 GAL./H (1,211 L/H)
HEATING SYSTEM	APPROX. 1.5-2.0°C/H (3-4°F/H)	APPROX. 2-3°F/H (1.0-1.5°C/H)
CERTIFICATION	CE/EAC/GS(TUV-RL)	CETL
PACK/ GROSS WEIGHT	1 EA., 33.36 KG (73.55 LBS)	1 EA., 71.80 LBS. (32.57 KG)

DIGITAL CONTROL PANEL

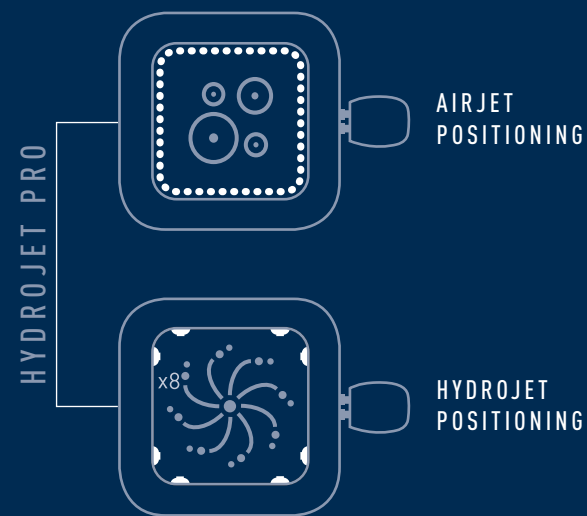




HYDROJET PRO™ SYSTEM

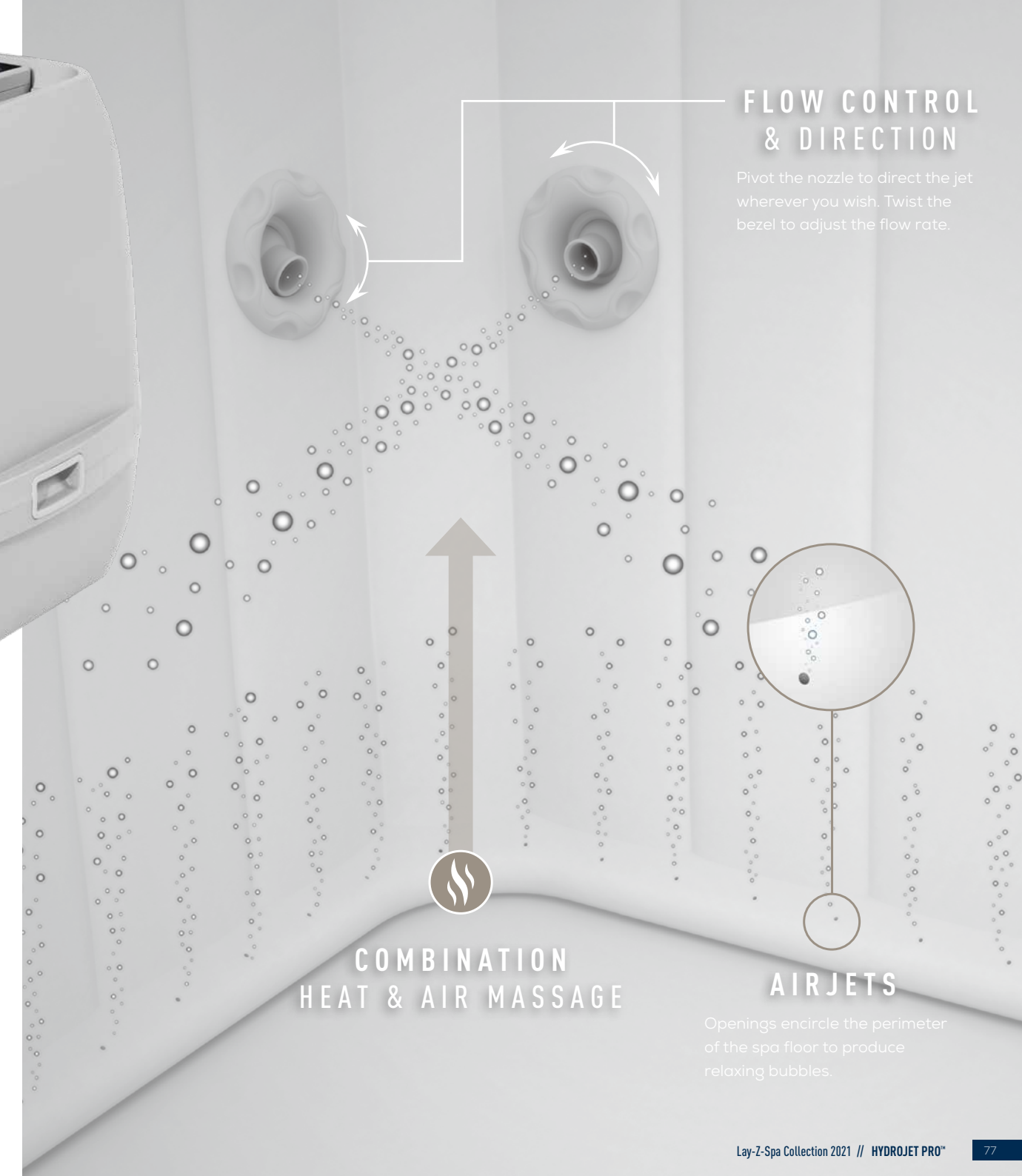
PERFECT SPA RELAXATION AT YOUR FINGERTIPS.

HydroJet Pro is the best of both worlds! Adjustable nozzles that release water bubbles combined with AirJets along the bottom provide the ultimate hydrotherapy massage.



MULTI-FUNCTION PUMP

The included spa pump is convenient and accessible, complete with a new digital interface and cup holders. This pump inflates the spa, starts the heating and massage systems, and can activate the filtration system. The best part is that the new design now allows users to adjust their needs without standing up or exiting the spa.



FLOW CONTROL & DIRECTION

Pivot the nozzle to direct the jet wherever you wish. Twist the bezel to adjust the flow rate.

COMBINATION HEAT & AIR MASSAGE

AIRJETS

Openings encircle the perimeter of the spa floor to produce relaxing bubbles.



HAWAII 60031+60032

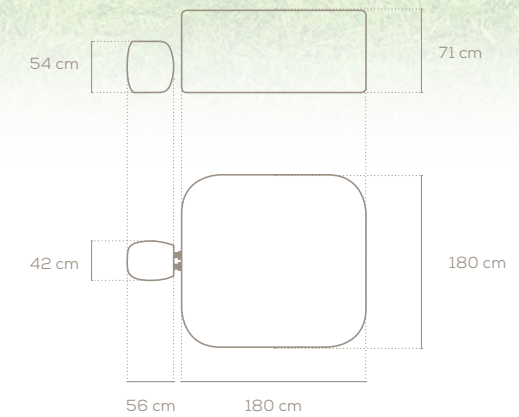


NEW GENERATION



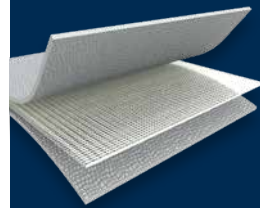
- Hydrodynamic water jetstream and air bubble massage system (8 jetstream nozzles and 140 jets)
- Ultra-strong DuraPlus™ internal beams and outer walls offer superior structural stability
- Freeze Shield™ automatic heating prevents water from freezing & damaging the spa
- Program the spa heater up to 40 days in advance for future use
- ChemConnect™ dispenser provides a stable level of chlorine throughout the spa
- Power-saving, timer-controlled heating system
- Digital control panel & spa pump with integrated filtration system includes cup holders and is accessible from inside the spa
- Reinforced cover with safety lock clips

Contents: 1 spa, 1 pool cover, 1 spa pump, 1 ChemConnect™ dispenser, filter cartridge (VI), repair kit, HydroJet Pro™ system





HAWAII 60031+60032



DURAPLUS™ CONSTRUCTION

Internal beams offer superior structural stability that can retain their shape no matter how many times the spa is inflated or deflated.



Y-BEAM CONSTRUCTION

DELIVERING STRENGTH AND COMFORT

Lay-Z-Spa's Y-Beam construction is designed to offer superior structural stability while maintaining a comfortable surface for a luxurious, refreshing spa experience.



SPECIFICATIONS

	60031	60032
WATER CAPACITY (70%)	795 L (210 GAL.)	210 GAL. (795 L)
INFLATED SIZE	1.80 M X 1.80 M X 71 CM (71" X 71" X 28")	71 IN. X 71 IN. X 28 IN. (1.80 M X 1.80 M X 71 CM)
INNER SIZE	1.30 M X 1.30 M (51" X 51")	51 IN. X 51 IN. (1.30 M X 1.30 M)
FILLED WEIGHT	848 KG (1,869 LBS)	1,869 LBS (848 KG)
RATING	220-240V~50HZ, 2050W AT 20°C (68°F)	110-120V- 60HZ, 12A AT 68°F (20°C)
ACTUAL WATER FLOW	1,325 L/H (350 GAL./H)	320 GAL./H (1,211 L/H)
HEATING SYSTEM	APPROX. 1.5-2.0°C/H (3-4°F/H)	APPROX. 2-3°F/H (1.0-1.5°C/H)
CERTIFICATION	CE/EAC/TUV(ONLY FOR 1060031INOX20)/CM	CETL
PACK/ GROSS WEIGHT	1 EA., 60.36 KG (133.07 LBS)	1 EA., 134.02 LBS. (60.79 KG)

SPA FEATURES



FREEZE SHIELD™



NO TOOLS
REQUIRED



40 °C
MAX TEMP
40 °C (104 °F)



CAPACITY
4-6 PEOPLE

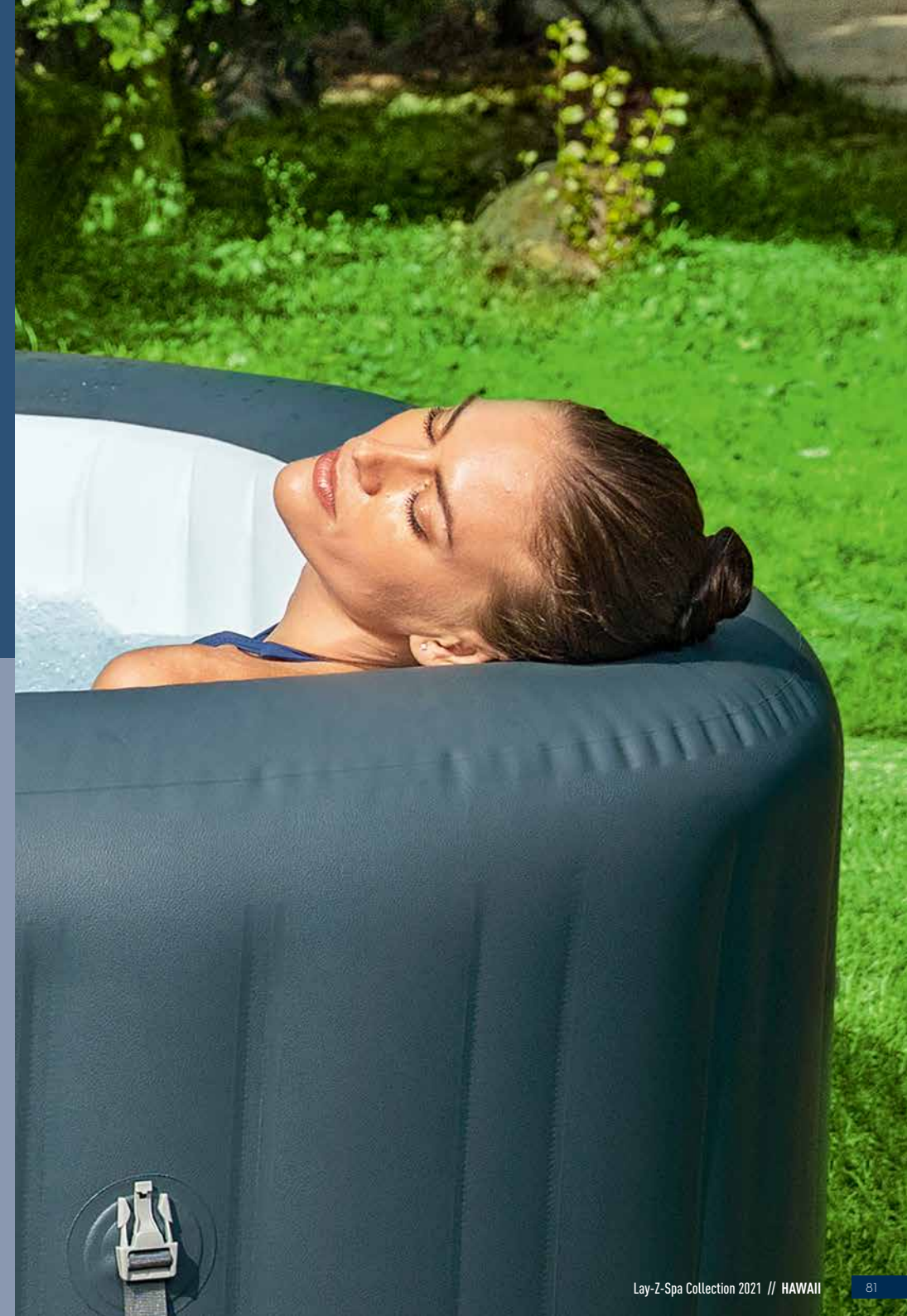


HYDROJET
PRO™ MASSAGE
SYSTEM



POWER SAVING
TIMER

DIGITAL CONTROL PANEL





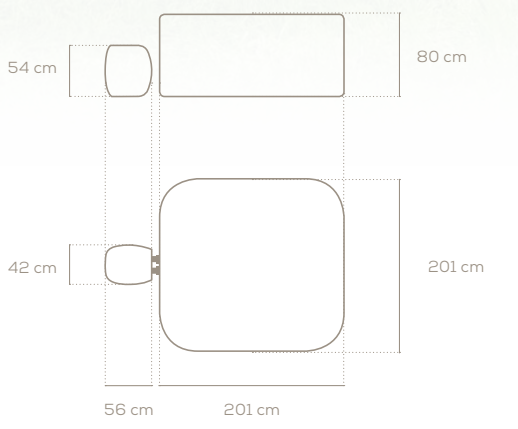
MALDIVES 60033+60034



NEW GENERATION



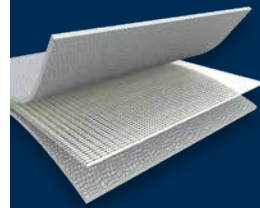
- Hydrodynamic water jetstream and air bubble massage system (8 jetstream nozzles and 180 jets)
- Ultra-strong DuraPlus™ internal beams and outer walls offer superior structural stability
- Freeze Shield™ automatic heating prevents water from freezing & damaging the spa
- Program the spa heater up to 40 days in advance for future use
- ChemConnect™ dispenser provides a stable level of chlorine throughout the spa
- ColorJet LED lights alternate between 7 different colors
- Power-saving, timer-controlled heating system
- Digital control panel & spa pump with integrated filtration system includes cup holders and is accessible from inside the spa
- Reinforced cover with safety lock clips
- Inflatable seat and lounge provide an ultra-comfortable experience



Contents: 1 spa, 1 pool cover, 1 spa pump, 1 ChemConnect™ dispenser, filter cartridge (VI), 2 water powered LED lights, repair kit, HydroJet Pro™ system



MALDIVES 60033+60034



DURAPLUS™ CONSTRUCTION

Internal beams offer superior structural stability that can retain their shape no matter how many times the spa is inflated or deflated.



Y-BEAM CONSTRUCTION

DELIVERING STRENGTH AND COMFORT

Lay-Z-Spa's Y-Beam construction is designed to offer superior structural stability while maintaining a comfortable surface for a luxurious, refreshing spa experience.



SPECIFICATIONS

	60033	60034
WATER CAPACITY (70%)	1,050 L (277 GAL)	277 GAL (1,050 L)
INFLATED SIZE	2.01 M X 2.01 M X 80 CM (79" X 79" X 31.5")	79 IN. X 79 IN. X 31.5 IN. (2.01 M X 2.01 M X 80 CM)
INNER SIZE	1.51 M X 1.51 M (59" X 59")	59 IN. X 59 IN. (1.51 M X 1.51 M)
FILLED WEIGHT	1,118 KG (2,465 LBS)	2,465 LBS (1,118 KG)
RATING	220-240V-50HZ, 2050W AT 20°C (68°F)	110-120V- 60HZ, 12A AT 68°F (20°C)
ACTUAL WATER FLOW	1,325 L/H (350 GAL./H)	320 GAL./H (1,211 L/H)
HEATING SYSTEM	APPROX. 1.0-1.5°C/H (2-3°F/H)	APPROX. 1-2°F/H (0.5-1.0°C/H)
CERTIFICATION	CE/EAC/CM	CETL
PACK/ GROSS WEIGHT	1 EA., 72.53 KG (159.90 LBS)	1 EA., 160.87 LBS. (72.97 KG)

SPA FEATURES



FREEZE SHIELD™



NO TOOLS
REQUIRED



MAX TEMP
40 °C (104 °F)



CAPACITY
5-7 PEOPLE

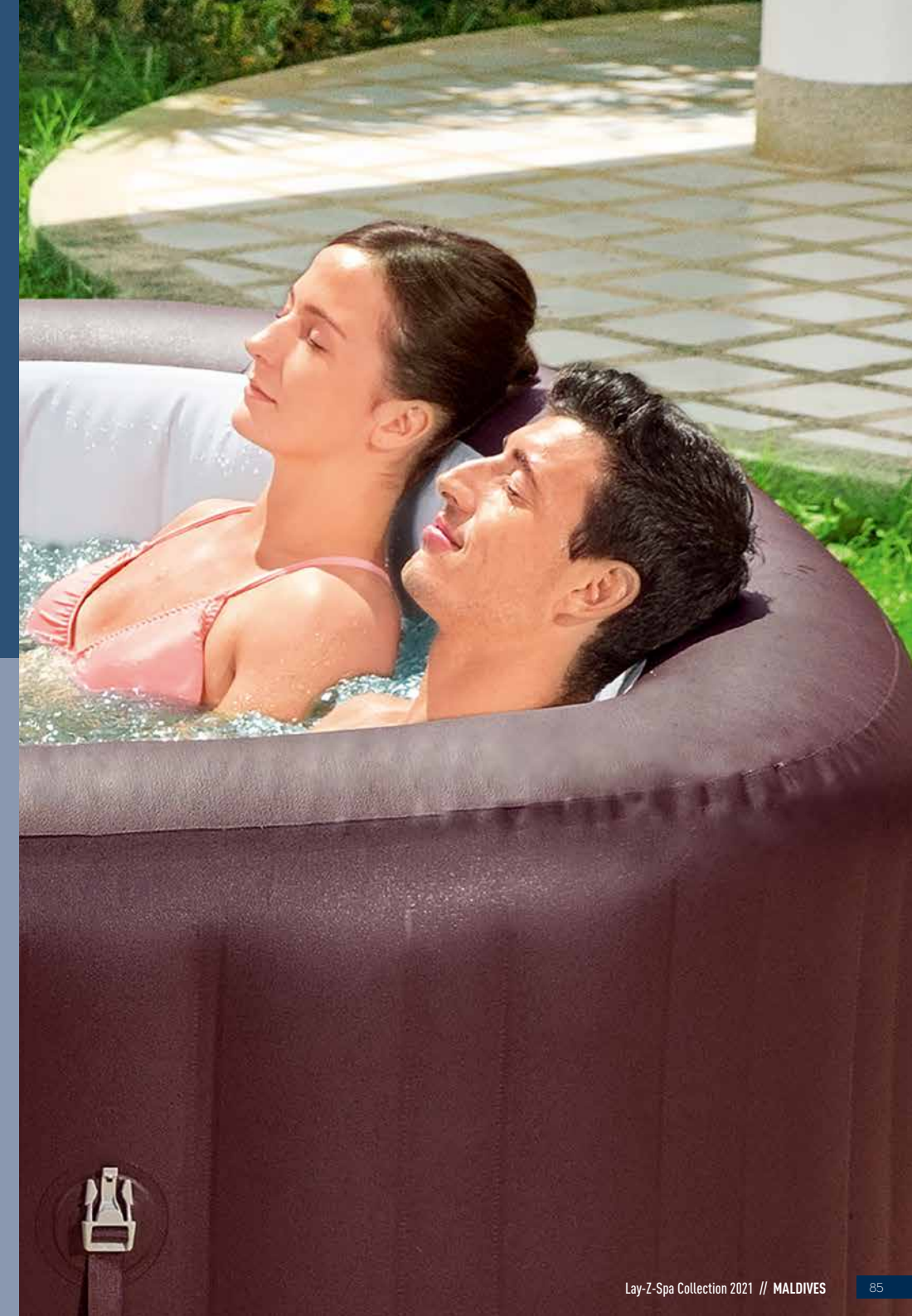


HYDROJET
PRO™ MASSAGE
SYSTEM



POWER SAVING
TIMER

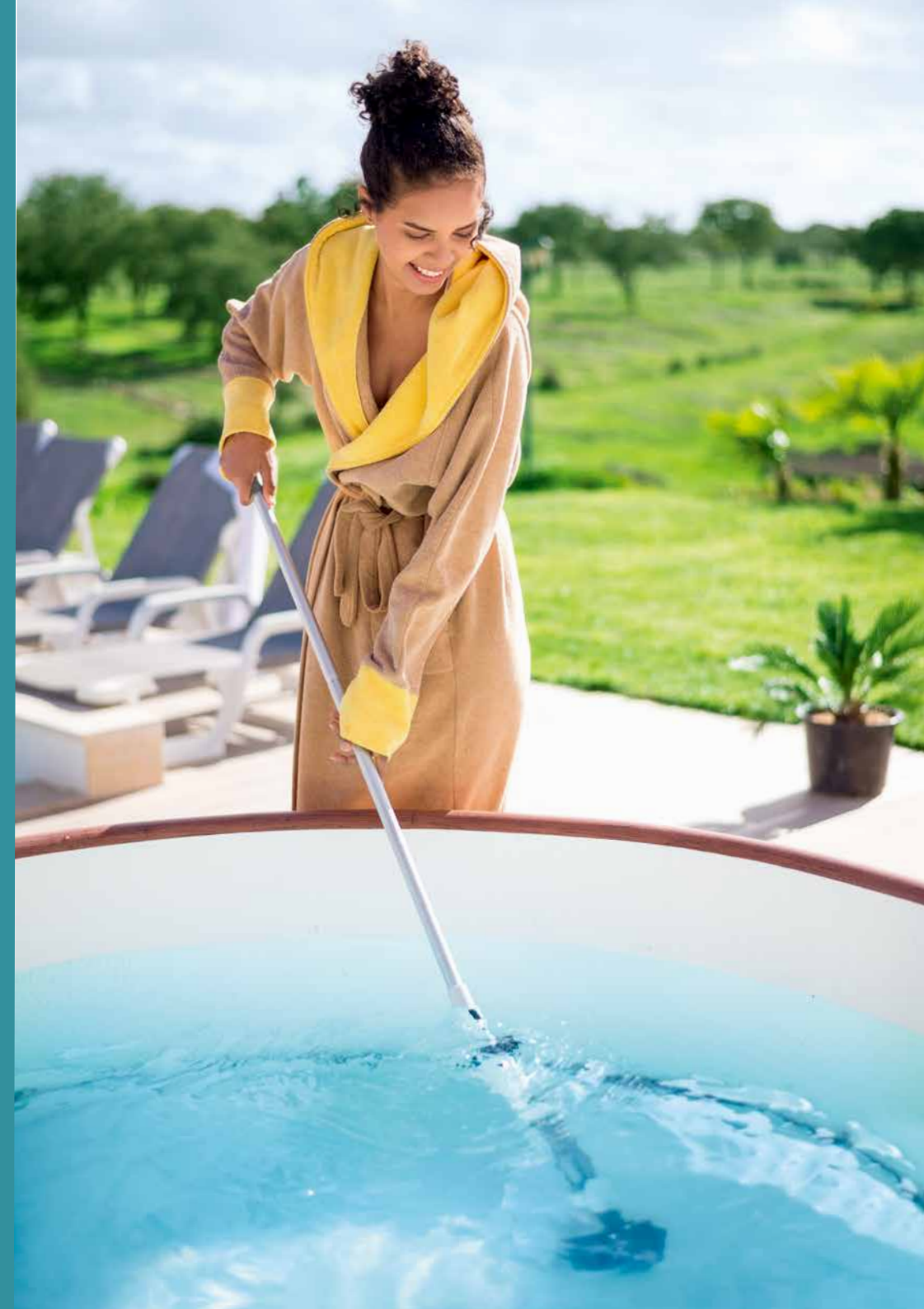
DIGITAL CONTROL PANEL



XTRAS

ACCESSORIES TO COMPLIMENT YOUR SPA.

For easy maintenance and added comfort for your spa, Bestway® has a range of accessory options to choose from. Accessorize to maximize your comfort and cleanliness of your spa.



RECHARGEABLE UNDERWATER VACUUM 60301

- Rechargeable lithium battery (no memory effect)
- Consistent performance for a full 30 minutes
- Ideal for spas and small pools
- Pivoting suction head with wheels and brushes
- Debris is collected in an easy-to-access and easy-to-empty stainless steel filter
- USB charging cable
- Full color box
- 4 Ea., 5.65 kg (12.46 lbs)

Contents: 1 rechargeable vacuum set, 1 USB charging cable

 **TRANSPARENT BODY**
shows debris level

 **RECHARGEABLE**
Plug, charge, and clean!

TWO-SECTION POLE
with total reach of approximately 1.50 m (5 ft.)

PIVOTING SUCTION HEAD 



CANOPY 60304

- 1.83 m x 94 cm x 1.09 m / 6' x 37" x 43"
- Fabric with UV protection
- Fits all Bestway Spa (except St. Lucia and Vancouver)
- High density, ventilated mesh windows
- Two removable guy lines to provide stability

- Full color box
- 3 Ea., 4.09 kg (9.02 lbs)

Contents: 1 tent, 3 poles, 2 guy lines, 1 storage bag

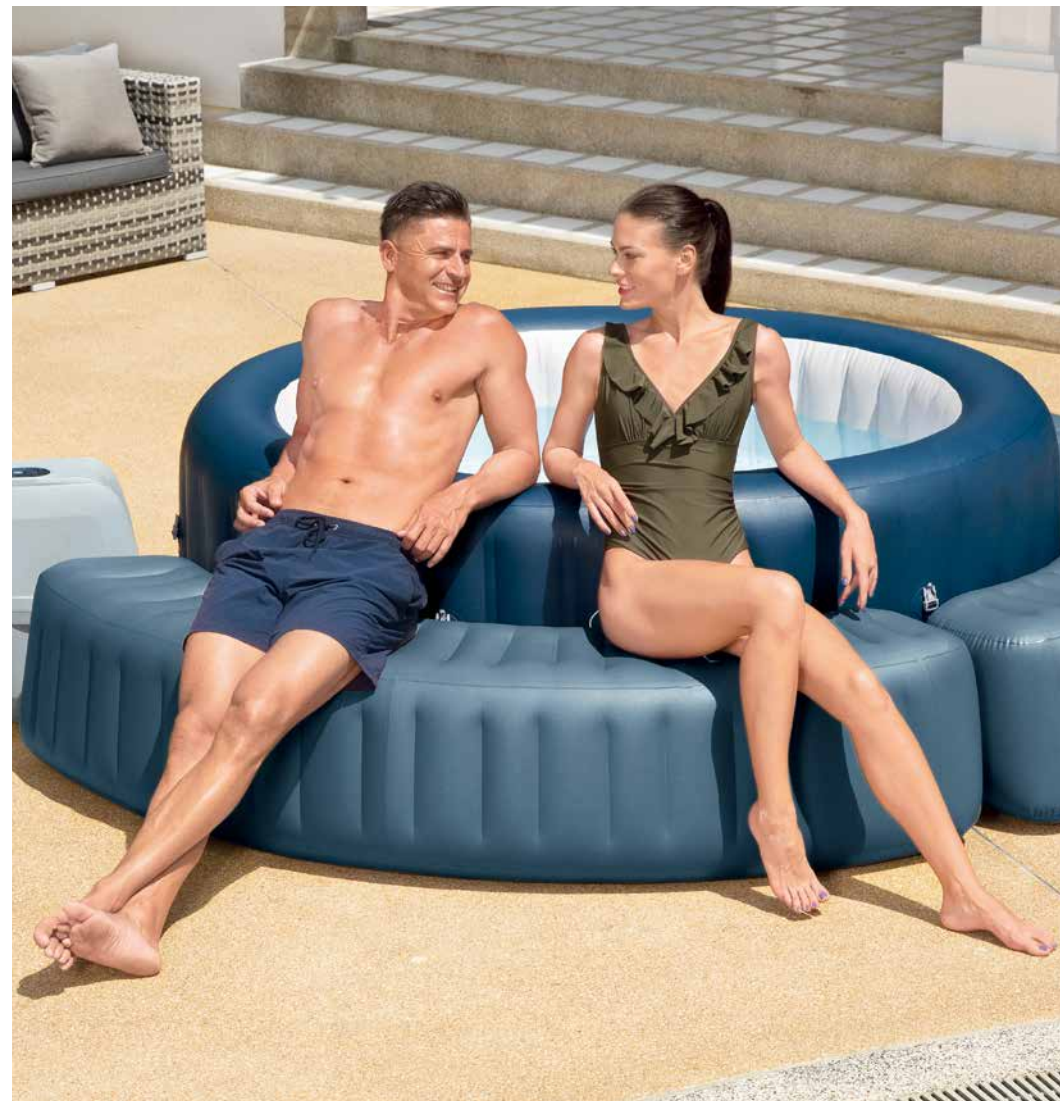


SURROUND 60308

- 2.00 m x 40 cm x 40 cm / 78" x 16" x 16"
- Inflatable spa surround
- Made of DuraPlus™ material
- Inner DuraPlus™ Y-Beams
- Inflate with the spa pump or air pump
- Can be connected by velcro which is located on each end

- 3 connect to form a circle around the spa
- Suitable for all round Lay-Z-Spas
- Full color box
- 1 Ea., 6.88 kg (15.17 lbs)

Contents: 1 surround, repair patch



DOME 60305

- 3.90 m x 3.90 m x 2.55 m / 12'9" x 12'9" x 8'4"
- Fabric with UV protection
- Fits all Bestway spas
- 4 large inside pockets to store personal items
- 4 detachable fabric and mesh doors, suitable for both winter and summer
- Suitable as a gazebo for use in the garden or backyard

- Can be used for pools up to 3.66 m (12") diameter
- Setup time: 15 min.
- Full color box
- 2 Ea., 29.65 kg (65.37 lbs)

Contents: 1 tent, 4 detachable fabric doors, 4 detachable mesh doors, carry bag



COLORJET LED LIGHT 60302

- IP68 waterproof
- Water-powered LED light with 7 color options
- 2 light modes: fixed or alternating
- One-touch operation - simply press top button
- Full color box

• 6 Ea., 1.63 kg (3.59 lbs)

Contents: 1 ColorJet LED light



7-COLOR LED LIGHT 60303

- Uses 3 AAA batteries (not included)
- IP68 waterproof
- LED light alternates between 7 colors
- 2 hours of run time with auto-shutoff feature
- One-touch operation: simply press top button

• Full color box
• 6 Ea., 0.98 kg (2.16 lbs)

Contents: 1 7-Color LED Light



DRINK HOLDER 60306

- Keep beverages or snacks close by while you relax
- Position anywhere on the top of spa sidewall
- Compatible with all Lay-Z-Spas (except Monaco & Helsinki & Vancouver)
- Full color box

• 12Ea., 8.95 kg (19.73 lbs)

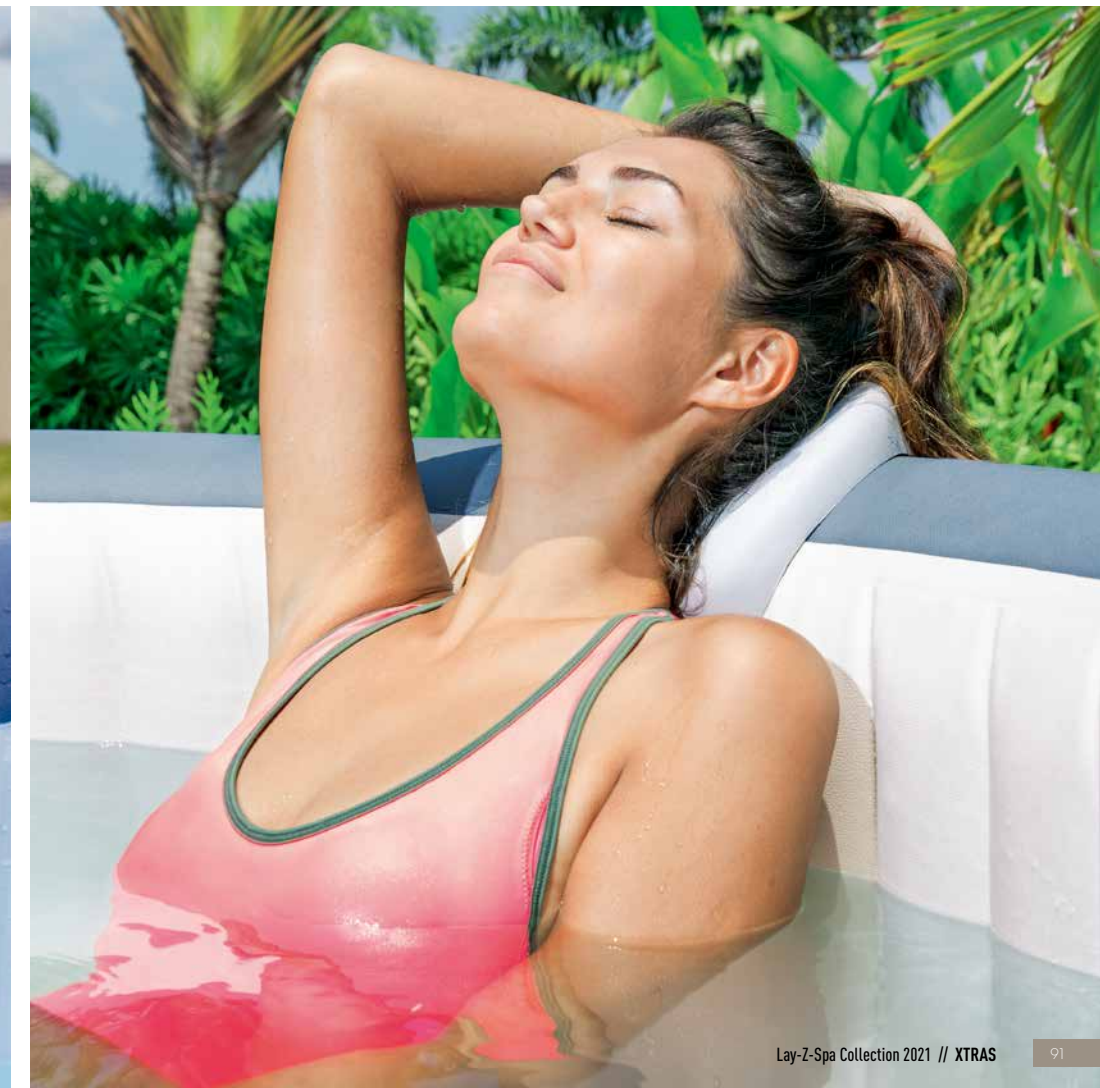
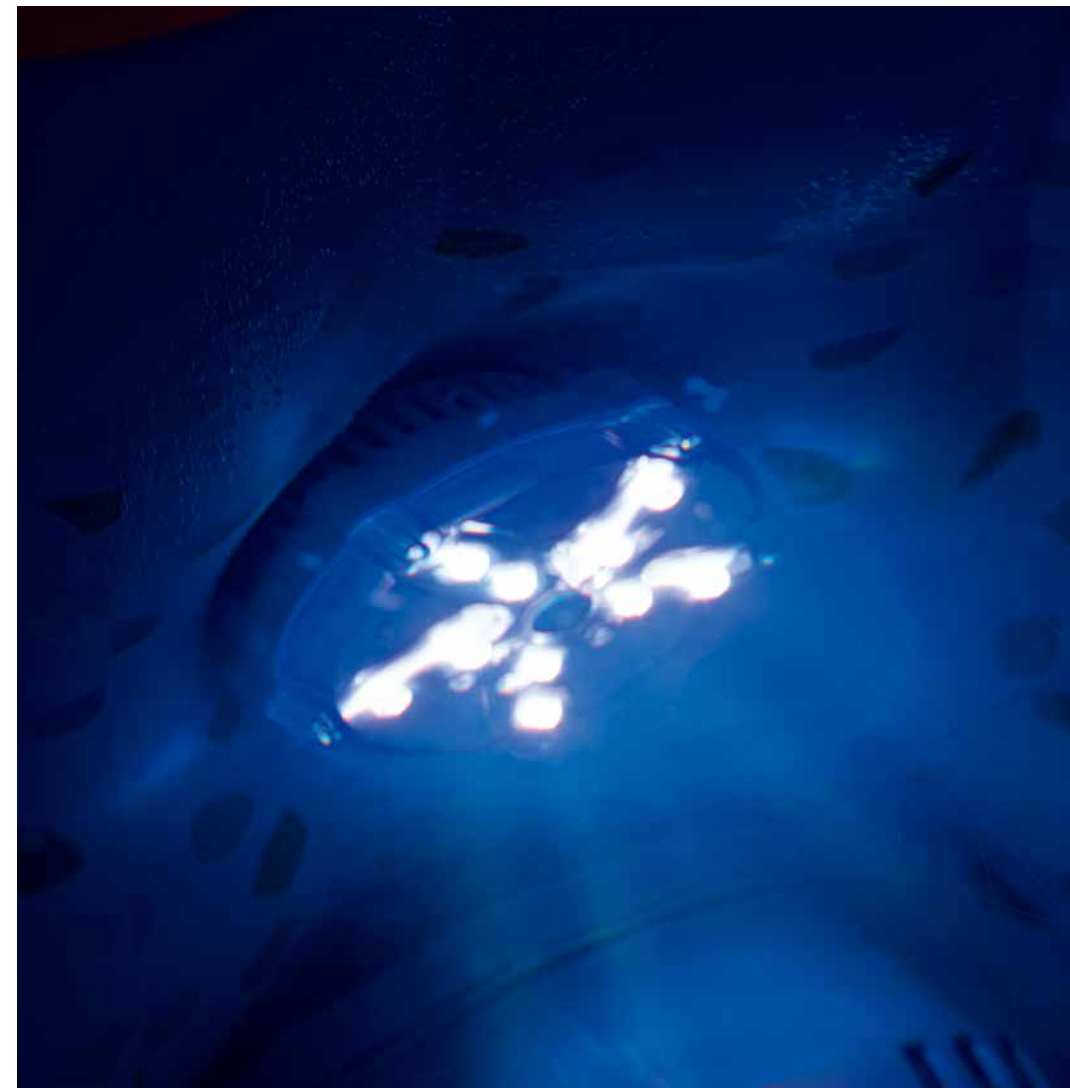
Contents: 2 drink holders, 1 tray

PILLOW 60307

- Soft pillow provides head and neck support
- Organic PU foam is 100% waterproof and resistant to chemicals and odors
- Compatible with all Lay-Z-Spas (except Helsinki & Vancouver)
- Easy to clean

• Full color box
• 4Ea., 3.96 kg (8.73 lbs)

Contents: 2 pillows





SCRUBBING MITT



SCOOP



BRUSH

ALL IN ONE TOOL SET 60310

Scoop:

- Bumper protects spa surface
- Round shaped design fits the contours of the spa interior
- Deep net to collect debris
- Handheld or connects to standard telescopic pole

Brush:

- Bumper and nylon bristles protect spa's surface
- Handheld or connects to standard telescopic pole

Scrubbing Mitt:

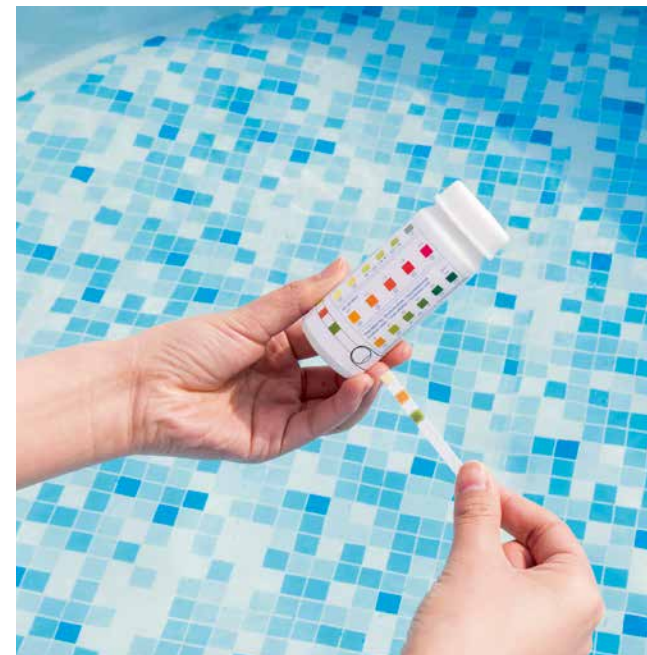
- Scrub along spa water line
- Latex glove bonded with scrubber pad

- Full color box
- 8 Ea., 7.3 kg (16.09 lbs)

Contents: 1 scoop, 1 brush, 1 scrubbing mitt

TEST STRIPS 58142

- 3-in-1 Test Strip:
 - Free Chlorine
 - pH
 - Total Alkalinity
- Measures Free Chlorine 0 to 10 ppm, Alkalinity 0 to 240 ppm and pH 6.2 to 8.4 with instant results
- Blister card
- 24 Ea., 2.65 lbs (1.20 kg)



FLOOR PROTECTOR 60309

- 2.16 m x 2.16 m / 85" x 85"
- Square protector 40 cm x 50 cm (15.5" x 19.5") mat for spa heater
- Durable polyethylene material that provides protection for your spa
- Compatible with all Bestway Spas
- Package contains 10 pieces (9 attachable, 1 individual)

- Shrink wrapped with insert card
- 4 Ea., 10.48 kg (23.10 lbs)

Contents: 1 Floor Protector Set



FILTER CARTRIDGE (VI) 60311

- 10.6 cm x 8.0 cm / 4.2" x 3.1"
- Easy to clean
- Shrink wrapped with insert card
- 12 Set., 2.79 kg (6.15 lbs)

Contents: 2 filter cartridges



TECHNICAL FEATURES

ACCESSORY COMPATIBILITY



	SPA	STURDY BEAM	STURDY Y-BEAM	DROP STITCH	POWER SAVING TIMER	WATER FILTER ACTIVATION	HEATING SYSTEM	LED LIGHTS	APP REMOTE CONTROL	RECHARGEABLE UNDERWATER VACUUM 60301	CANOPY 60304	SURROUND 60308	DOMES 60305	COLORJET LED LIGHT 60302	7-COLOR LED LIGHT 60303	DRINK HOLDER 60306	PILLOW 60307	ALL IN ONE TOOL SET 60310	TEST STRIPS 58142	FLOOR PROTECTOR 60309	FILTER CARTRIDGE 60311		
AIRJET	ST. LUCIA 60037+60038	•			•	•	•			•		•	•		•	•	•	•	•	•	•	•	
	MIAMI 60001+60002	•			•	•	•			•	•	•	•		•	•	•	•	•	•	•	•	
	BAHAMAS 60005+60006	•			•	•	•			•	•	•	•		•	•	•	•	•	•	•	•	
	CANCUN 60003+60004	•			•	•	•			•	•	•	•		•	•	•	•	•	•	•	•	
	TAHITI 60007+60008	•			•	•	•	•		•	•	•	•		•	•	•	•	•	•	•	•	
	IBIZA 60015+60016	•			•	•	•			•	•	•	•		•	•	•	•	•	•	•	•	•
	HONOLULU 60019+60020		•		•	•	•			•	•	•	•		•	•	•	•	•	•	•	•	•
	HAWAII 60021+60022		•		•	•	•			•	•	•	•		•	•	•	•	•	•	•	•	•
	ST. MORITZ 60023+60024		•		•	•	•			•	•	•	•		•	•	•	•	•	•	•	•	•
	HELSINKI 60025+60026			•	•	•	•			•	•	•	•		•	•	•	•	•	•	•	•	•
AIRJET PLUS	MILAN 60029+60030		•		•	•	•		•	•	•	•		•	•	•	•	•	•	•	•	•	
	VANCOUVER 60027+60028			•	•	•	•		•	•	•	•		•	•	•	•	•	•	•	•	•	
HYDROJET PRO	HAWAII 60031+60032		•		•	•	•			•	•	•		•	•	•	•	•	•	•	•	•	
	MALDIVES 60033+60034		•		•	•	•	•		•	•	•		•	•	•	•	•	•	•	•	•	



1 INFLATE
YOUR LAY-Z-SPA
WITH THE PUMP



2 CONNECT
THE PUMP UNIT
TO THE SPA



3 FILL
THE LAY-Z-SPA
& ENJOY!

**EASY
SETUP**

SETUP & MAINTENANCE

With the necessary tools already included, Lay-Z-Spa setup is quick and easy!

After finding a flat area to place the spa, it's a simple process of 1, 2, 3.

1. Inflate the spa with the double-functioning spa pump.
2. Connect the pump to the spa, and ensure that all of the tubes are attached to the correct openings.
3. Fill up the spa with water to the indicated level, and enjoy!

Also included with each spa is a chemical floater and filter cartridge to keep the water sparkling. Maintaining clean and healthy pool water is not just important for the user's experience, but it also extends the longevity of the spa.

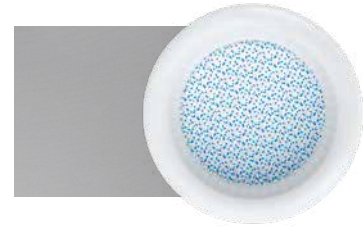
Thanks to a new function available on all Lay-Z-Spas, the pump can also quickly and conveniently deflate the spa for transport or storage.



INDEX

AIRJET™

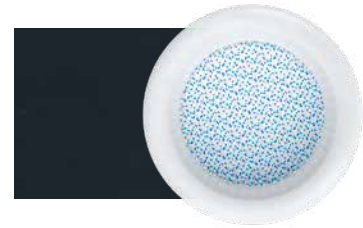
ST. LUCIA
6 0 0 3 7 + 6 0 0 3 8
pg 24-27



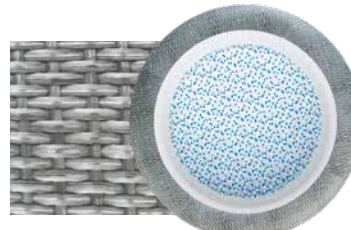
IBIZA
6 0 0 1 5 + 6 0 0 1 6
pg 44-47



MIAMI
6 0 0 0 1 + 6 0 0 0 2
pg 28-31



HONOLULU
6 0 0 1 9 + 6 0 0 2 0
pg 48-51



BAHAMAS
6 0 0 0 5 + 6 0 0 0 6
pg 32-35



HAWAII
6 0 0 2 1 + 6 0 0 2 2
pg 52-55



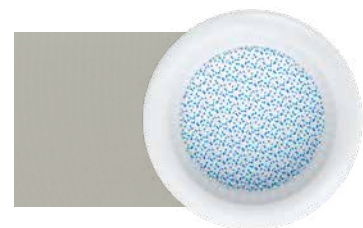
CANCUN
6 0 0 0 3 + 6 0 0 0 4
pg 36-39



ST. MORITZ
6 0 0 2 3 + 6 0 0 2 4
pg 56-59



TAHITI
6 0 0 0 7 + 6 0 0 0 8
pg 40-43



HELSINKI
6 0 0 2 5 + 6 0 0 2 6
pg 60-63



AIRJET PLUS™

MILAN
6 0 0 2 9 + 6 0 0 3 0
pg 66-69



VANCOUVER
6 0 0 2 7 + 6 0 0 2 8
pg 70-73



HYDROJET PRO™

HAWAII
6 0 0 3 1 + 6 0 0 3 2
pg 78-81



MALDIVES
6 0 0 3 3 + 6 0 0 3 4
pg 82-85



XTRAS™

RECHARGEABLE
UNDERWATER VACUUM
6 0 3 0 1
pg 87



CANOPY
6 0 3 0 4
pg 88



SURROUND
6 0 3 0 8
pg 88



DOME
6 0 3 0 5
pg 89



COLORJET
LED LIGHT
6 0 3 0 2
pg 90



7-COLOR
LED LIGHT
6 0 3 0 3
pg 90



DRINK
HOLDER
6 0 3 0 6
pg 91



PILLOW
6 0 3 0 7
pg 91



ALL-IN-ONE TOOL SET
6 0 3 1 0
pg 92



TEST STRIPS
5 8 1 4 2
pg 92



FLOOR PROTECTOR
6 0 3 0 9
pg 93



FILTER CARTRIDGE (VI)
6 0 3 1 1
pg 93

