



**Bestway**




[www.bestwaycorp.com](http://www.bestwaycorp.com)

LAY-Z-SPA® 2022



LAY-Z-SPA®

2022 CATALOG

LAY-Z-SPA.  
HOLLYWOOD

Bestway

**SHANGHAI**

Bestway Inflatables & Material Corp.  
No. 208 Jin Yuan Wu Road,  
Shanghai, 201812, China  
Tel: 86 21 6913 5588  
E-mail: info@bestwaycorp.com

**HONG KONG**

Bestway (Hong Kong) International Ltd.  
Suite 713, 7/Floor, East Wing,  
Tsim Sha Tsui Centre,  
66 Mody Road, Kowloon, Hong Kong  
Tel: 852 2997 7169  
E-mail: info@bestwaycorp.hk

**U.S.A.**

Bestway (USA) Inc.  
3411 E. Harbour Drive, Phoenix, Arizona  
85034, United States of America  
Tel: 1 480 838 3888  
E-mail: info@bestwaycorp.us

**EUROPE**

Bestway (Europe) S.r.l.  
Via Resistenza, 5  
20098 San Giuliano M.se (Mi), Italy  
Tel: 39 02 9884 881  
E-mail: info@bestwaycorp.eu

**EASTERN EUROPE**

Bestway Eastern Europe Sp. z o.o.  
Ul. Ekologiczna 24  
05-080 Klaudyn Poland  
Tel: 48 22 60 22 508  
E-mail: info@bestwaycorp.pl

**LATIN AMERICA**

Bestway Central & South America Ltda  
Salar Ascotan 1282, Parque Enea,  
Pudahuel, Santiago, Chile  
Tel: 562 3203 6438  
E-mail: info@bestwaycorp.lat

**BRAZIL**

Bestway Brazil  
Av Cerro Azul, 2783 Maringá - PR - Brazil  
Zip Code: 87010-055  
Tel: 55 44 3046 2950 / 0800 001 8400  
E-mail: info@bestwaycorp.com.br

**AUSTRALIA**

Bestway Australia Pty Limited  
Unit 2/98-104 Carnarvon St  
Silverwater, NSW 2128, Australia  
Tel: 61 2 9037 1388  
E-mail: info@bestwaycorp.com.au

**FRANCE**

Bestway France Sarl  
1681 route des Dolines  
- Les Taissounières - Belem  
06560 VALBONNE  
Tel: 33 4 97 04 92 99  
E-mail: info@bestwaycorp.fr

**GERMANY**

Bestway Deutschland GmbH  
Parkstraße 11  
24534 Neumünster, Germany  
Tel: 49 4321 555 05 - 0  
E-mail: info@bestwaycorp.de



**Bestway**



20 | CATALOG  
22 | COLLECTION

**OUR VISION MISSION**

We create fun, lasting experiences for everyone in the world through the products and services we provide.

Happiness —  
Happy Consumers,  
Happy Employees,  
Happy World



JIANGSU



HAIAN



NANTONG



SHANGHAI



VIETNAM



Vertically integrated



Customer focused



Innovative



Sustainable



Consumer driven



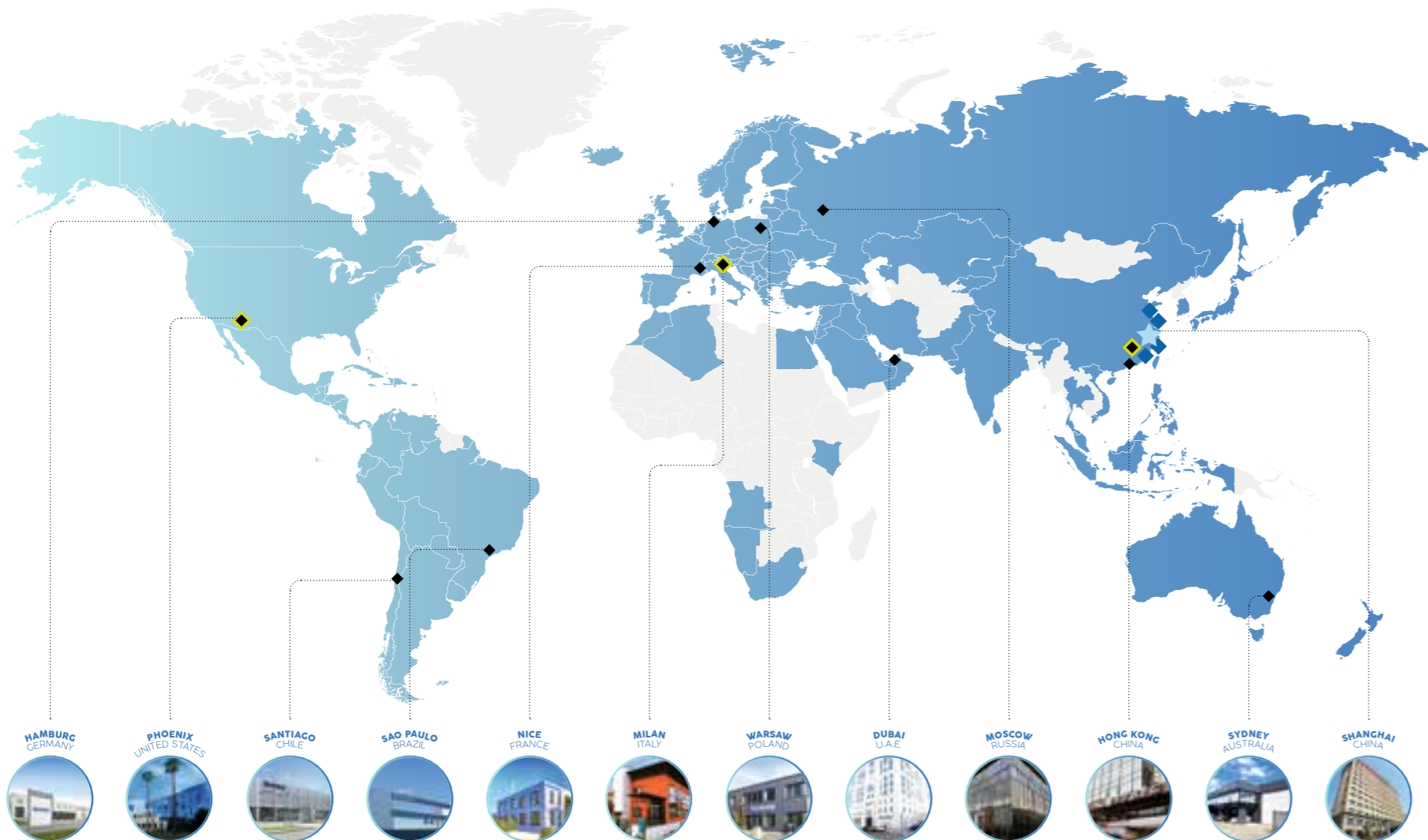
Fully owned production facilities



Public stock exchange



BESTWAY WORLD



★ HEADQUARTER

◆ R&D CENTER

◆ OVERSEAS SUBSIDIARY

◆ PRODUCTION FACILITY



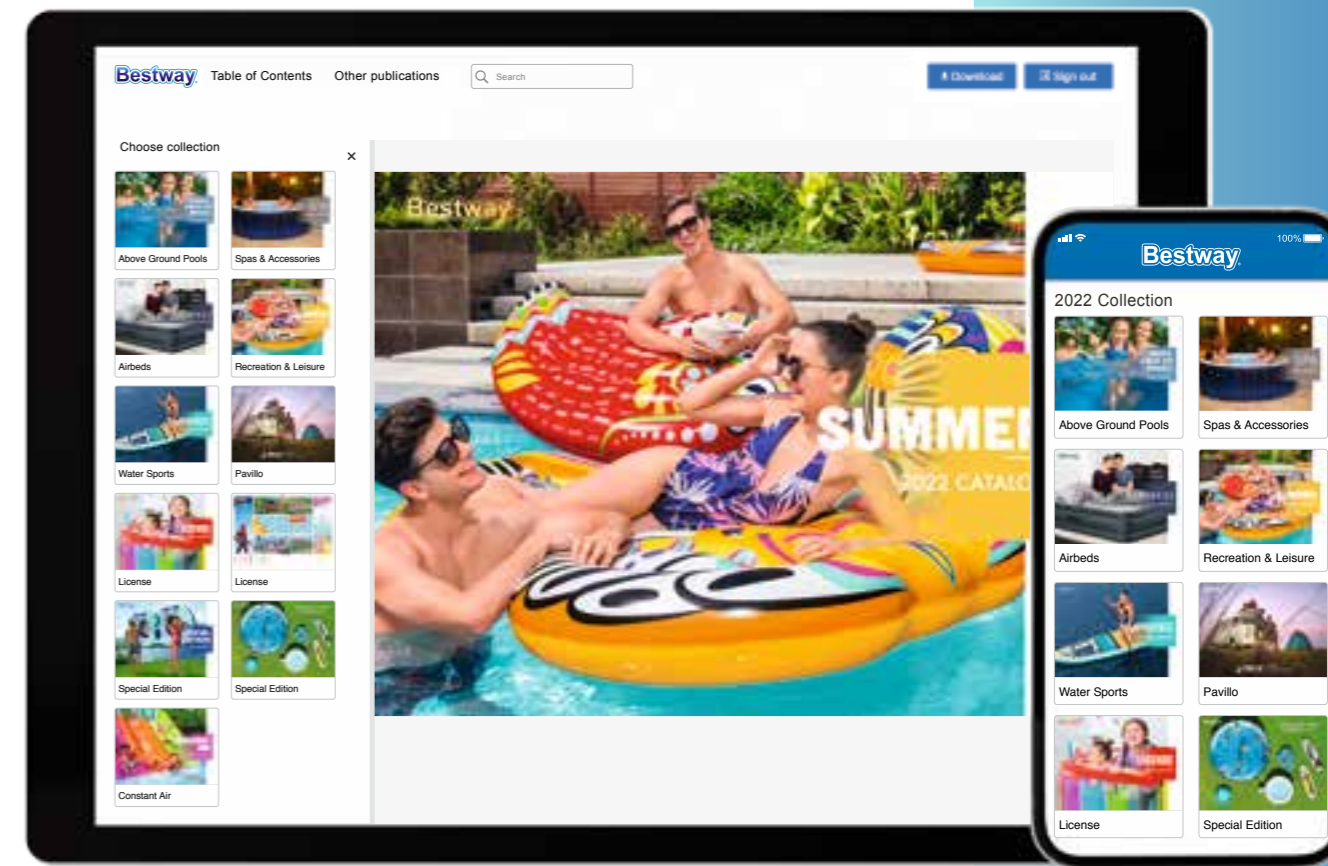
THE BESTWAY® CATALOG APP

Easily access all of our Bestway® catalogs while on the go with our brand new app. Download to see the conveniently portable, digital versions of our catalogs!

VIEW THE LATEST CATALOGS

QUICKLY FLIP THROUGH AND FIND ANY PRODUCT

REVIEW PRODUCT DETAILS AND PHOTOS







# LAY-Z-SPA®

## WELCOME

Almost a decade of advanced engineering innovations have built a name that people all around the world have grown to trust. Lay-Z-Spa® offers an affordable spa experience that's convenient to use, easy to set up and offers total relaxation. Backed by the Bestway® customer service team, consumers can enjoy peace of mind while relaxing in their brand new spa. With different massage technologies, a Lay-Z-Spa offers the ultimate way to rest and recharge.





# CONTENTS

## AIRJET™

ST. LUCIA 60037-60038 pg 22-25	MIAMI 60001-60002 pg 26-29	BAHAMAS 60005-60006 pg 30-33	FIJI 60085-60086 pg 34-37	TAHITI 60007-60008 pg 38-41	MADRID 60055-60056 pg 42-45	IBIZA 60015-60016 pg 46-49
HOLLYWOOD 60059-60060 pg 50-53	ZURICH 60065-60066 pg 54-57	HONOLULU 60019-60020 pg 58-61	HAWAII 60021-60022 pg 62-65	ST. MORITZ 60023-60024 pg 66-69	HELSINKI 60025-60026 pg 70-73	

## AIRJET PLUS™

MILAN 60029-60030 pg 76-79	VANCOUVER 60027-60028 pg 80-83
----------------------------------	--------------------------------------

## HYDROJET PRO™

HAWAII 60031-60032 pg 86-89	SANTORINI 60075-60076 pg 90-93	MALDIVES 60033-60034 pg 94-97
-----------------------------------	--------------------------------------	-------------------------------------

## XTRAS™

RECHARGEABLE UNDERWATER VACUUM 60313   pg 102	CANOPY 60304   pg 104	DOME 60305   pg 105	7-COLOR LED LIGHT 60303   pg 106	DRINK HOLDER 60306   pg 106
PILLOW 60307   pg 107	PADDED PILLOW 60316   pg 107	ALL IN ONE TOOL SET 60310   pg 108	TEST STRIPS 58142   pg 108	FLOOR PROTECTOR 60309   pg 109
FILTER CARTRIDGE (VI) 60311   pg 109				

## SERVICE

Provide your customers with quality products and the advanced customer service support they deserve. Bestway's online services and regional call centers allow customers to easily resolve issues that arise with their Bestway products. Our multilingual website is a knowledge base offering downloadable manuals, instructional videos along with FAQs and the ability for customers to order spare parts. Regional Call Centers provide the added dimension of support for those unfamiliar with computers or unable to find specific answers to their questions online.

[www.bestwaycorp.com](http://www.bestwaycorp.com)



# THE ORIGINAL PREMIUM PORTABLE SPA™

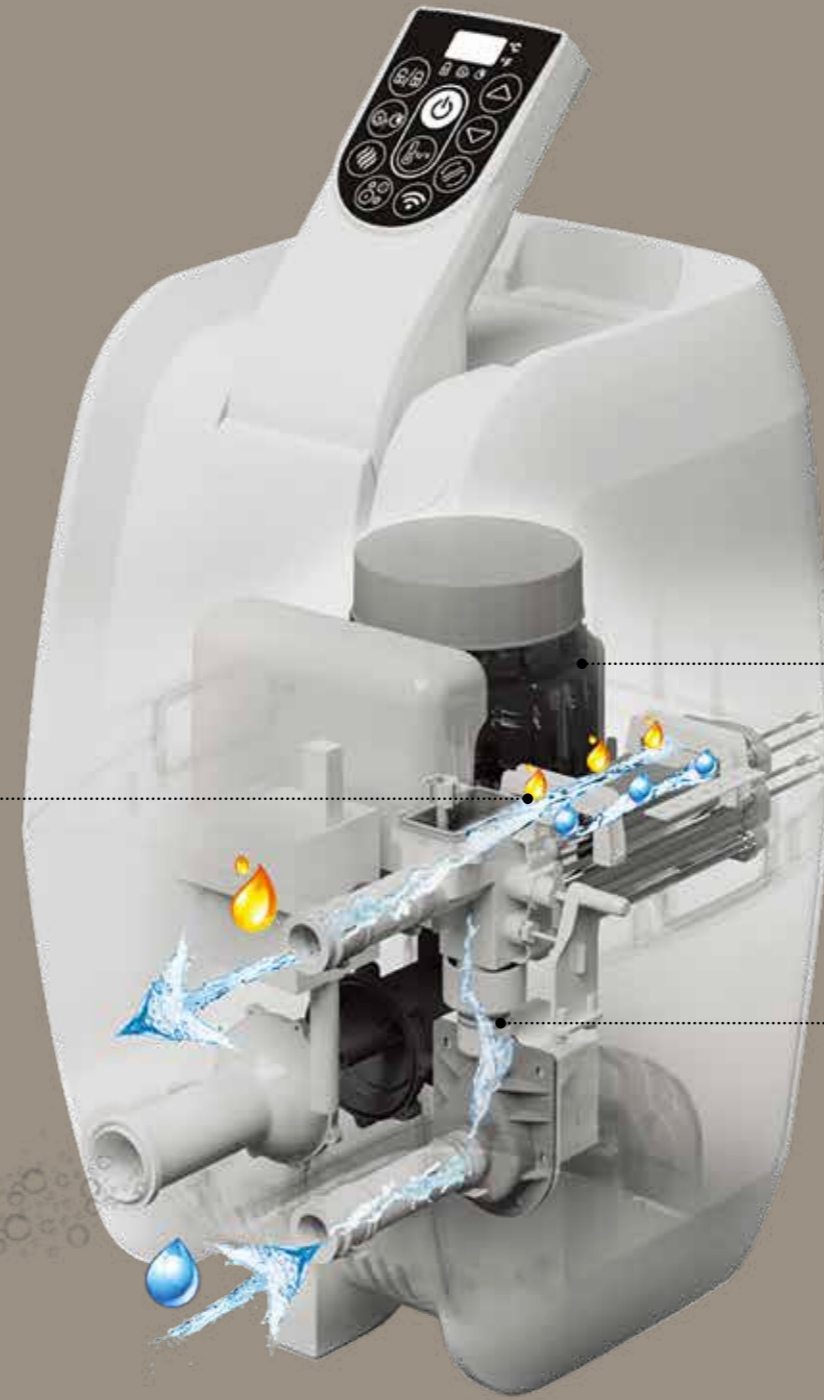
As a leading manufacturer of the inflatable, portable hot tub, Lay-Z-Spa® has become an industry staple that consumers know and trust. From technological innovations to style, Lay-Z-Spa leads the market. High-function components and safety are the main priorities of the spa line, providing consumers with products they can depend on.

## ADVANCED HEATING SYSTEM

By using advanced materials to create our heating mechanism, including aluminum alloys and ceramic, we can ensure efficient temperature control. The internal structure is protected by six layers of insulation to prevent electrical damage, ensuring safe use every time.



- ◆ EFFICIENT
- ◆ DURABLE
- ◆ SAFE



## HIGH TECH COMPONENTS AND DECREASED NOISE

The internal pump components are designed to work efficiently, while reducing the noise level as much as possible during use. Engineered with a new rotor and blade, our pumps are specifically designed to have a soft internal connection, reducing the noise.

## GROUND DETECTION SYSTEM

With safety as a priority, every spa is equipped with our advanced, market-leading Ground Detection System, which continuously monitors the energy supply to ensure it is being used safely. If the system detects an issue, the pump alerts the user and does not allow further use until the power supply is correctly earthed.



## FREEZE SHIELD™ TECHNOLOGY

### COMFORT IN THE COLD

Freeze Shield™ successfully equips the spa for year-round, all-weather use. Designed with innovated winterizing technology and an improved material, these spas automatically increase water circulation and heating when temperatures are low to prevent the inner parts from becoming damaged.



# MASSAGE TECHNOLOGIES



## AIRJET™ SYSTEM

Soothe your body and relax your mind with the touch of a button! The AirJets work by releasing warm air into the water, surrounding you with a calming bubble massage.



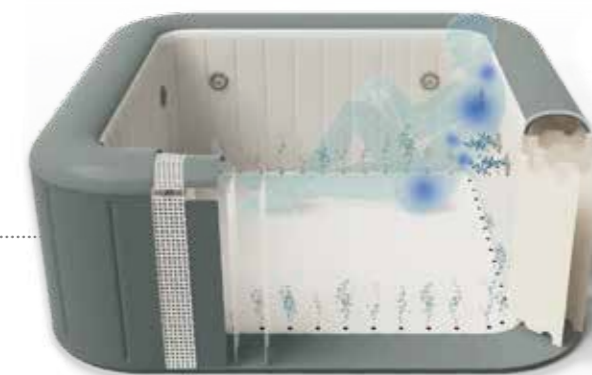
## AIRJET PLUS™ SYSTEM

Enjoy a deeper massage with AirJet Plus! Air bubbles are released from both the bottom and the sidewalls of the spa to target both the legs and back.



## HYDROJET PRO™ SYSTEM

HydroJet Pro is the best of both worlds! Adjustable HydroJet nozzles that release high-pressure water bubbles combined with AirJets along the bottom provide the ultimate spa massage.



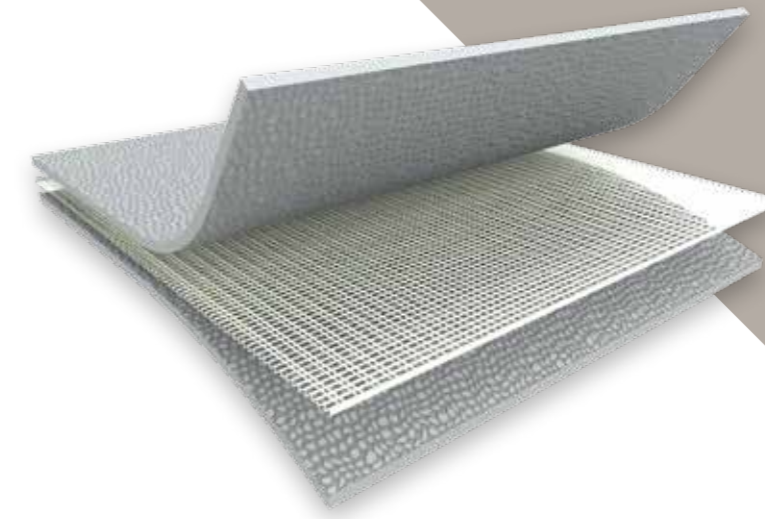




## BEAM CONSTRUCTION

### DELIVERING STRENGTH AND COMFORT

The internal construction of each spa is designed to offer superior structural stability while still maintaining a comfortable surface. It always provides a luxurious spa experience, no matter how many times it's inflated or deflated.



## DURAPLUS™ 3-PLY

### DURABLE COMFORT

DuraPlus™ material is designed with longevity in mind - 3 layers of polyester mesh and PVC. The multi-layer design prevents stretching, and ensures durability and resilience, no matter how often the spa is used.



## DURAPLUS™

### WALL AND TOP RING

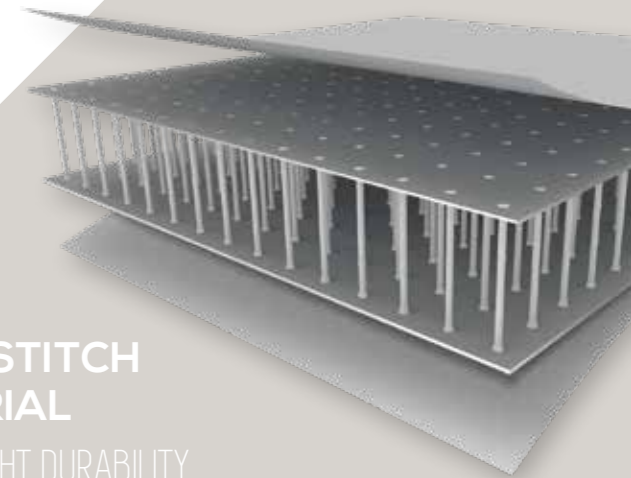
The outer surface of this spa is constructed with premium DuraPlus™ material, providing superior durability, stretch resistance and structural stability.



## DURAPLUS™

### INTERNAL BEAM

The internal beam structure of the spa may also be constructed with DuraPlus™ material, providing extra stretch resistance, which allows the spa to keep its shape no matter how many times it's inflated or deflated.



## DROP STITCH MATERIAL

### LIGHTWEIGHT DURABILITY

Inflated walls made from drop stitch material provide unparalleled strength. Thousands of fine threads securely connect the sidewalls, which seal in air to create a rigid and sturdy spa. Not only great for durability, but this also makes the spa more spacious on the inside.





# SMART HUB™ APP



## HEAT CONTROL

Set to your perfect temperature



## SET TIMER

Power saving timer



## AIRJET™ SETTINGS

Adjustable massage action



## FILTRATION

Water filter activation



## APP CONNECTION

### DELIVERING STRENGTH AND COMFORT

With the Bestway Smart Hub™ app, control is right in the palm of your hand. This brand new innovation makes the Lay-Z- Spa one of the most convenient in the market. Compatible with smart devices, the Spa Control section of the app lets users set their spa to the perfect temperature. They can also activate the Power Saving Timer, the water filter, and the AirJet massage system with the touch of a button!

## MASSAGE REGULATION



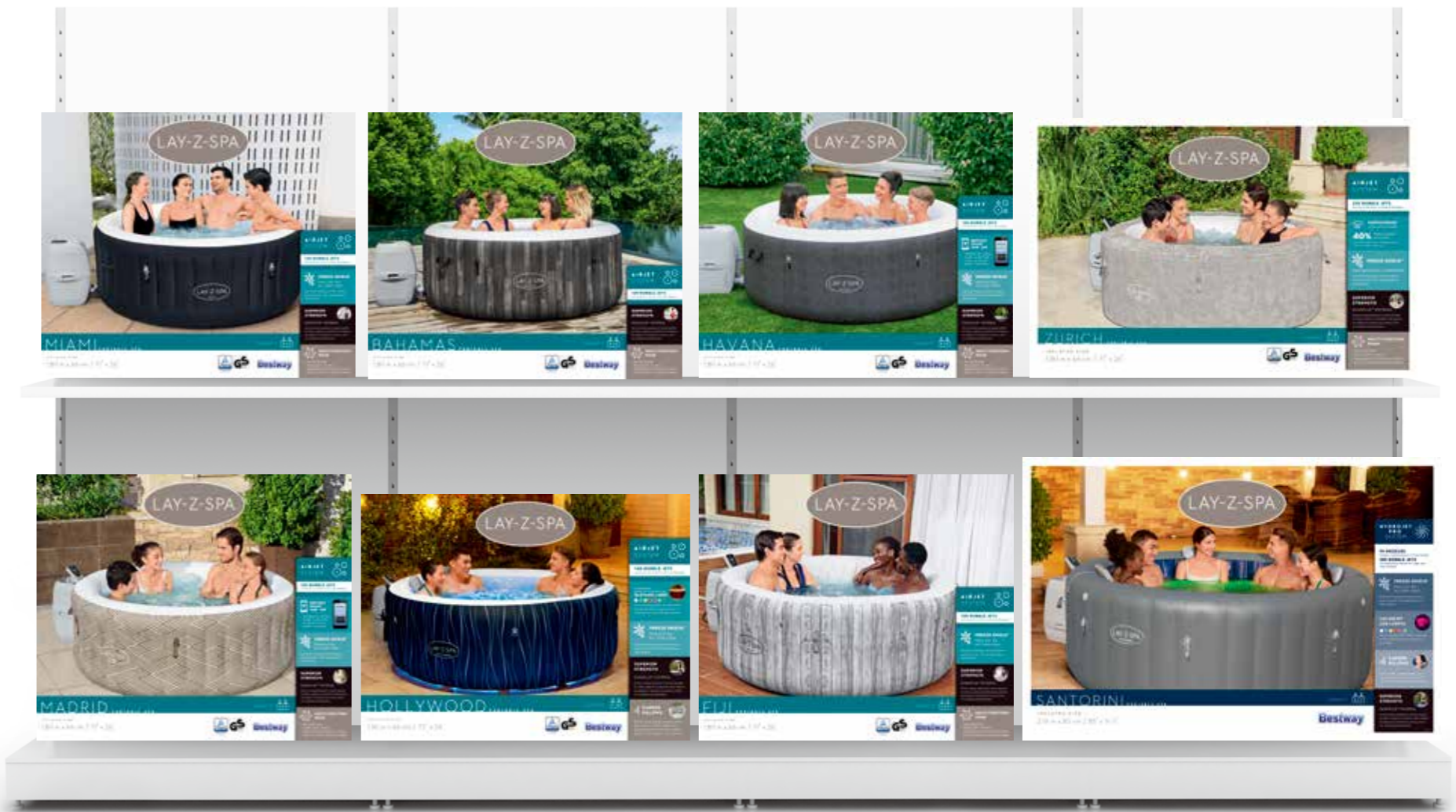
A new feature on some Lay-Z-Spas will allow the user to choose the intensity of their AirJet™ massage. With two levels, the massage bubbles are customizable, giving the consumers control over their relaxation experience.

## QUICK SET-UP

- 1 **DOWNLOAD** THE BESTWAY SMART HUB™ APP
- 2 **CLICK** ON SPA
- 3 **FOLLOW** THE SET UP INSTRUCTIONS

## 2022 PLANOGRAM

PACKAGING NOT TO SCALE





# INTRODUCING 2022 LAY-Z-SPA COLLECTION



**ST. LUCIA**  
60037-60038

**MIAMI**  
60001-60002

**BAHAMAS**  
60005-60006

**FIJI**  
60085-60086

**TAHITI**  
60007-60008

CAPACITY	2-3 ADULTS	2-4 ADULTS	2-4 ADULTS	2-4 ADULTS	2-4 ADULTS
INFLATED SIZE	1.70 m x 66 cm (67" x 26")	1.80 m x 66 cm (71" x 26")	1.80 m x 66 cm (71" x 26")	1.80 m x 66 cm (71" x 26")	1.80 m x 66 cm (71" x 26")
INNER SIZE	1.24 m (49")	1.32 m (52")	1.32 m (52")	1.32 m (52")	1.32 m (52")
WATER CAPACITY	605 L (160 GAL)	669 L (177 GAL)	669 L (177 GAL)	669 L (177 GAL)	669 L (177 GAL)
MATERIAL	PVC & DURAPLUS™	PVC & DURAPLUS™	PVC & DURAPLUS™	PVC & DURAPLUS™	PVC & DURAPLUS™
NUMBER OF AIRJETS	110	120	120	120	120
NUMBER OF HYDROJETS	-	-	-	-	-
FEATURES					



**MADRID**  
60055-60056

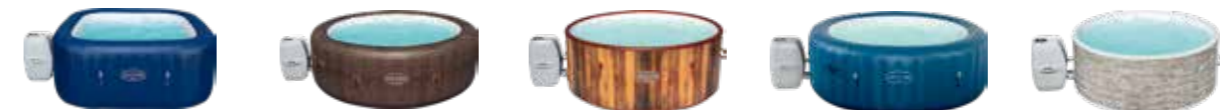
**IBIZA**  
60015-60016

**HOLLYWOOD**  
60059-60060

**ZURICH**  
60065-60066

**HONOLULU**  
60019-60020

CAPACITY	2-4 ADULTS	4-6 ADULTS	4-6 ADULTS	2-4 ADULTS	4-6 ADULTS
INFLATED SIZE	1.80 m x 66 cm (71" x 26")	1.80 m x 1.80 m X 66 cm (71" x 71" x 26")	1.96 m x 66 cm (77" x 26")	1.80 m x 66 cm (71" x 26")	1.96 m x 71 cm (77" x 28")
INNER SIZE	1.32 m (52")	1.32 m x 1.32 m (52" x 52")	1.48 m (58")	1.32 m (52")	1.46 m (57")
WATER CAPACITY	669 L (177 GAL)	778 L (205 GAL)	908 L (240 GAL)	669 L (177 GAL)	916 L (242 GAL.)
MATERIAL	PVC & DURAPLUS™	PVC & DURAPLUS™	PVC & DURAPLUS™	ENERGYSense™	DURAPLUS™
NUMBER OF AIRJETS	120	140	140	120	140
NUMBER OF HYDROJETS	-	-	-	-	-
FEATURES					



**HAWAII**  
60021-60022

**ST. MORITZ**  
60023-60024

**HELSINKI**  
60025-60026

**MILAN**  
60029-60030

**VANCOUVER**  
60027-60028

CAPACITY	4-6 ADULTS	5-7 ADULTS	5-7 ADULTS	4-6 ADULTS	3-5 ADULTS
INFLATED SIZE	1.80 m x 1.80 m X 71 cm (71" x 71" x 28")	2.16 m x 71 cm (85" x 28")	1.80m x 66 cm (71" x 26")	1.96 m x 71 cm (77" x 28")	1.55 m x 60 cm (61" x 24")
INNER SIZE	1.30 m x 1.30 m (51" x 51")	1.66 m (65")	1.70 m (67")	1.46 m (57")	1.45 m (57")
WATER CAPACITY	840 L (222 GAL.)	1,190 L (314 GAL.)	1,123 L (297 GAL.)	916 L (242 GAL.)	804 L (213 GAL.)
MATERIAL	DURAPLUS™	DURAPLUS™	DROP STITCH	DURAPLUS™	DROP STITCH
NUMBER OF AIRJETS	140	180	180	140	140
NUMBER OF HYDROJETS	-	-	-	-	-
FEATURES					



**HAWAII**  
60031-60032

**SANTORINI**  
60075-60076

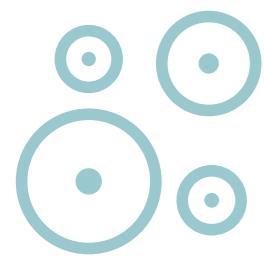
**MALDIVES**  
60033-60034

CAPACITY	4-6 ADULTS	5-7 ADULTS	5-7 ADULTS
INFLATED SIZE	1.80 m x 1.80 m X 71 cm (71" x 71" x 28")	2.16 m x 80 cm (85" x 31.5")	2.01 m x 2.01 m X 80 cm (79" x 79" x 31.5")
INNER SIZE	1.30 m x 1.30 m (51" x 51")	1.66 m (65")	1.51 m x 1.51 m (59" x 59")
WATER CAPACITY	795 L (210 GAL)	1,190 L (314 GAL)	1,050 L (277 GAL)
MATERIAL	DURAPLUS™	DURAPLUS™	DURAPLUS™
NUMBER OF AIRJETS	140	180	180
NUMBER OF HYDROJETS	8	10	8
FEATURES			

## FEATURES KEY

- SMART HUB APP
- FREEZE SHIELD™
- LED LIGHTS
- FOOT MASSAGE
- MASSAGE REGULATION
- INTEGRATED SEATS
- ENERGYSense™





# AIRJET™ SYSTEM

FLOAT AWAY ON A CLOUD OF BUBBLES  
WITH AN AIRJET MASSAGE.

Soothe your body and relax your mind with the touch of a button.

Simply press the massage button on the control panel, and the AirJet system will surround you with calming bubbles.

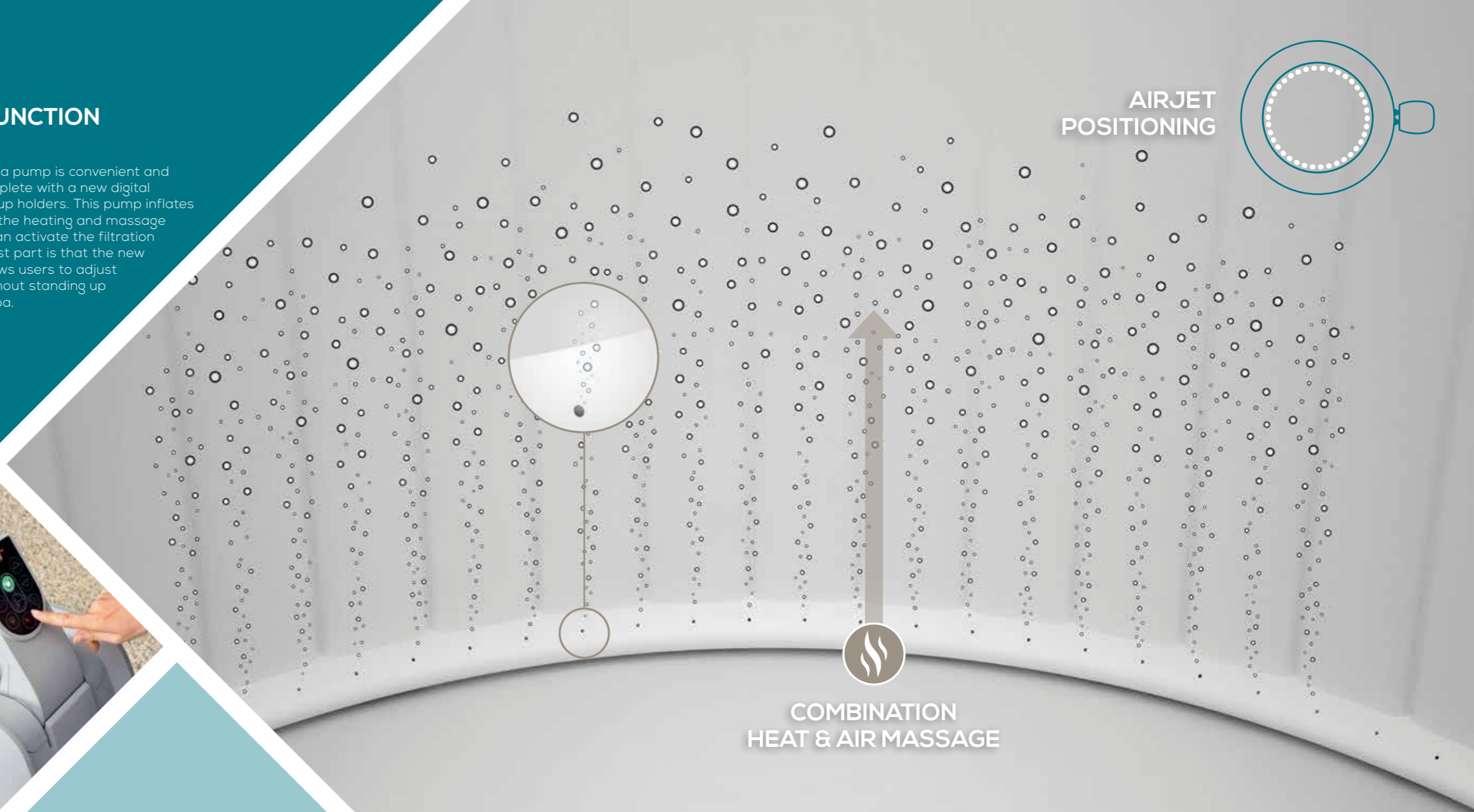


## MULTI-FUNCTION PUMP

The included spa pump is convenient and accessible, complete with a new digital interface and cup holders. This pump inflates the spa, starts the heating and massage systems, and can activate the filtration system. The best part is that the new design now allows users to adjust their needs without standing up or exiting the spa.



EASY TO REACH  
CONTROL PANEL



AIRJET  
POSITIONING

COMBINATION  
HEAT & AIR MASSAGE

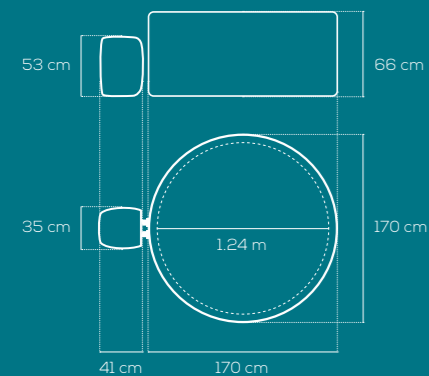


# ST. LUCIA

60037+60038

- Soothing AirJet™ bubble massage system (110 jets)
- Ultra-strong DuraPlus™ walls are stress tested to offer durability
- Freeze Shield™ automatic heating prevents water from freezing & damaging the spa
- Program the spa heater up to 40 days in advance for future use
- ChemConnect™ dispenser provides a stable level of chlorine throughout the spa
- Power-saving, timer-controlled heating system
- Digital control panel & spa pump with integrated filtration system includes cup holders and is accessible from inside the spa
- Reinforced cover with safety lock clips

Contents: 1 spa, 1 pool cover, 1 spa pump, filter cartridge (VI), 1 ChemConnect™ dispenser, repair patch, AirJet™ system



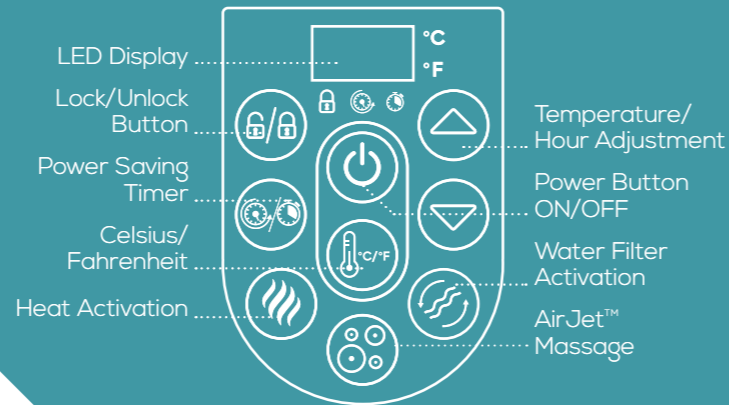


# ST. LUCIA

60037+60038



## DIGITAL CONTROL PANEL



## DURAPLUS™ WALL AND TOP RING

The outer surface of this spa is constructed with premium DuraPlus™ material, providing superior durability, stretch resistance and structural stability.

## SPA FEATURES



FREEZE SHIELD™



AIRJET™  
MASSAGE SYSTEM



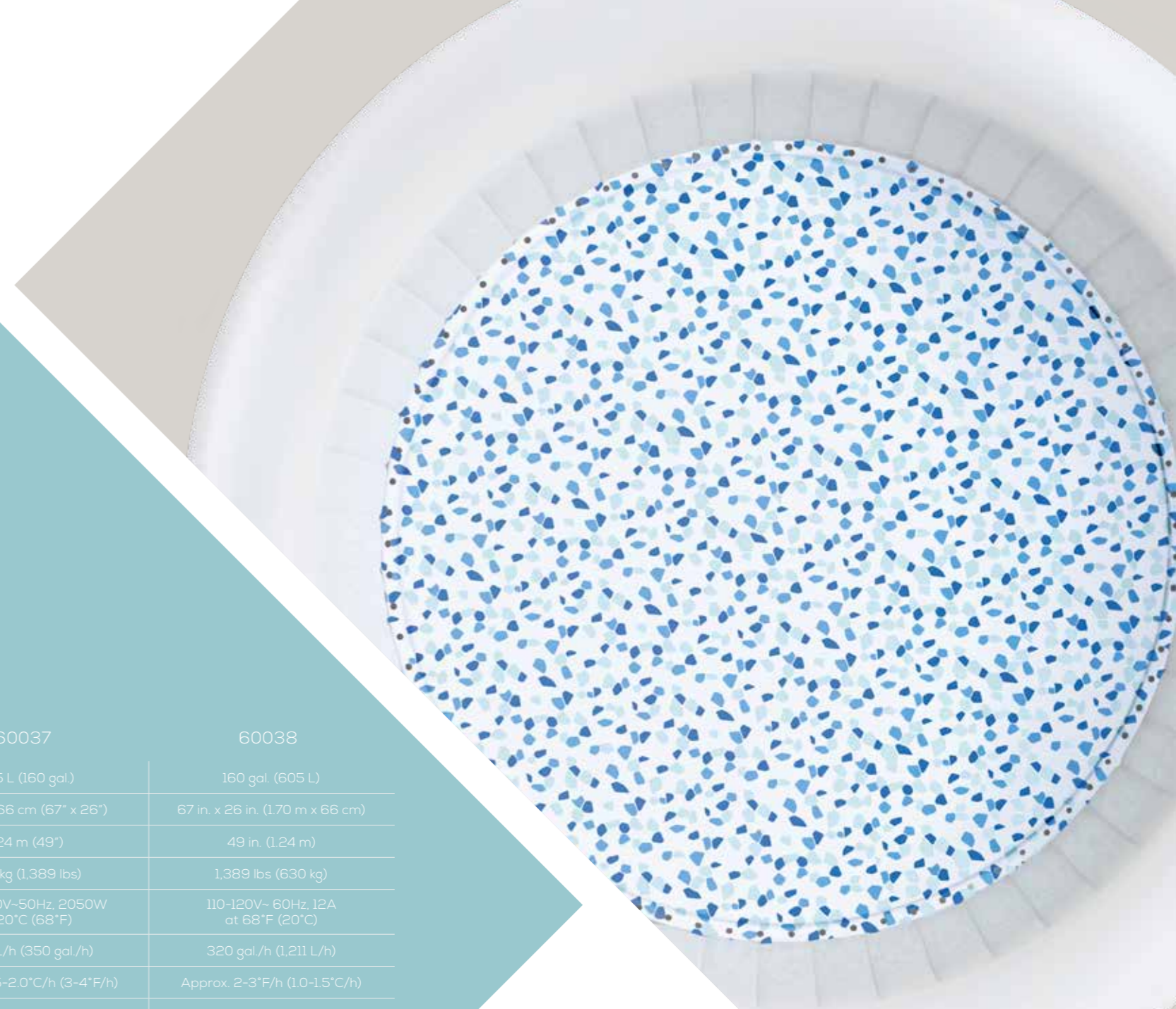
MULTI-FUNCTION  
PUMP



CAPACITY  
2-3 PEOPLE

## SPECIFICATIONS

	60037	60038
WATER CAPACITY (80%)	605 L (160 gal.)	160 gal. (605 L)
INFLATED SIZE	1.70 m x 66 cm (67" x 26")	67 in. x 26 in. (1.70 m x 66 cm)
INNER SIZE	1.24 m (49")	49 in. (1.24 m)
FILLED WEIGHT	630 kg (1,389 lbs)	1,389 lbs (630 kg)
RATING	220-240V-50Hz, 2050W at 20°C (68°F)	110-120V- 60Hz, 12A at 68°F (20°C)
ACTUAL WATER FLOW	1,325 L/h (350 gal./h)	320 gal./h (1,211 L/h)
HEATING SYSTEM	Approx. 1.5-2.0°C/h (3-4°F/h)	Approx. 2-3°F/h (1.0-1.5°C/h)
CERTIFICATION	CE/GS(TUV-RL)/EAC/CM	ETL-us
PACK/GROSS WEIGHT	1 Ea., 32.41 KG (71.45 LBS)	1 Ea., 68.45 LBS (31.05 KG)



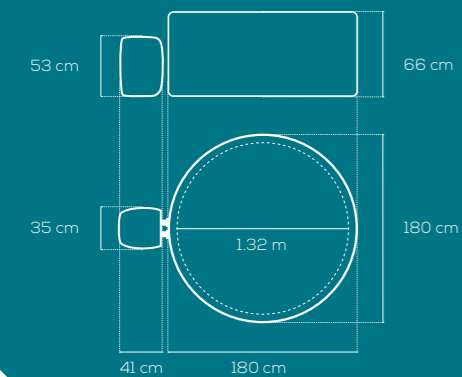


# MIAMI

60001+60002

- Soothing AirJet™ bubble massage system (120 jets)
- Ultra-strong DuraPlus™ walls are stress tested to offer durability
- Freeze Shield™ automatic heating prevents water from freezing & damaging the spa
- Program the spa heater up to 40 days in advance for future use
- ChemConnect™ dispenser provides a stable level of chlorine throughout the spa
- Power-saving, timer-controlled heating system
- Digital control panel & spa pump with integrated filtration system includes cup holders and is accessible from inside the spa
- Reinforced cover with safety lock clips

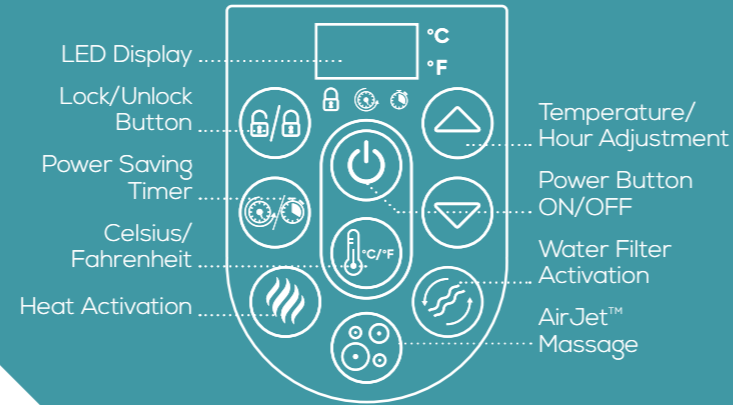
Contents: 1 spa, 1 pool cover, 1 spa pump, filter cartridge (VI), 1 ChemConnect™ dispenser, repair patch, AirJet™ system







### DIGITAL CONTROL PANEL



### DURAPLUS™ WALL AND TOP RING

The outer surface of this spa is constructed with premium DuraPlus™ material, providing superior durability, stretch resistance and structural stability.

### SPA FEATURES



FREEZE SHIELD™



AIRJET™ MASSAGE SYSTEM



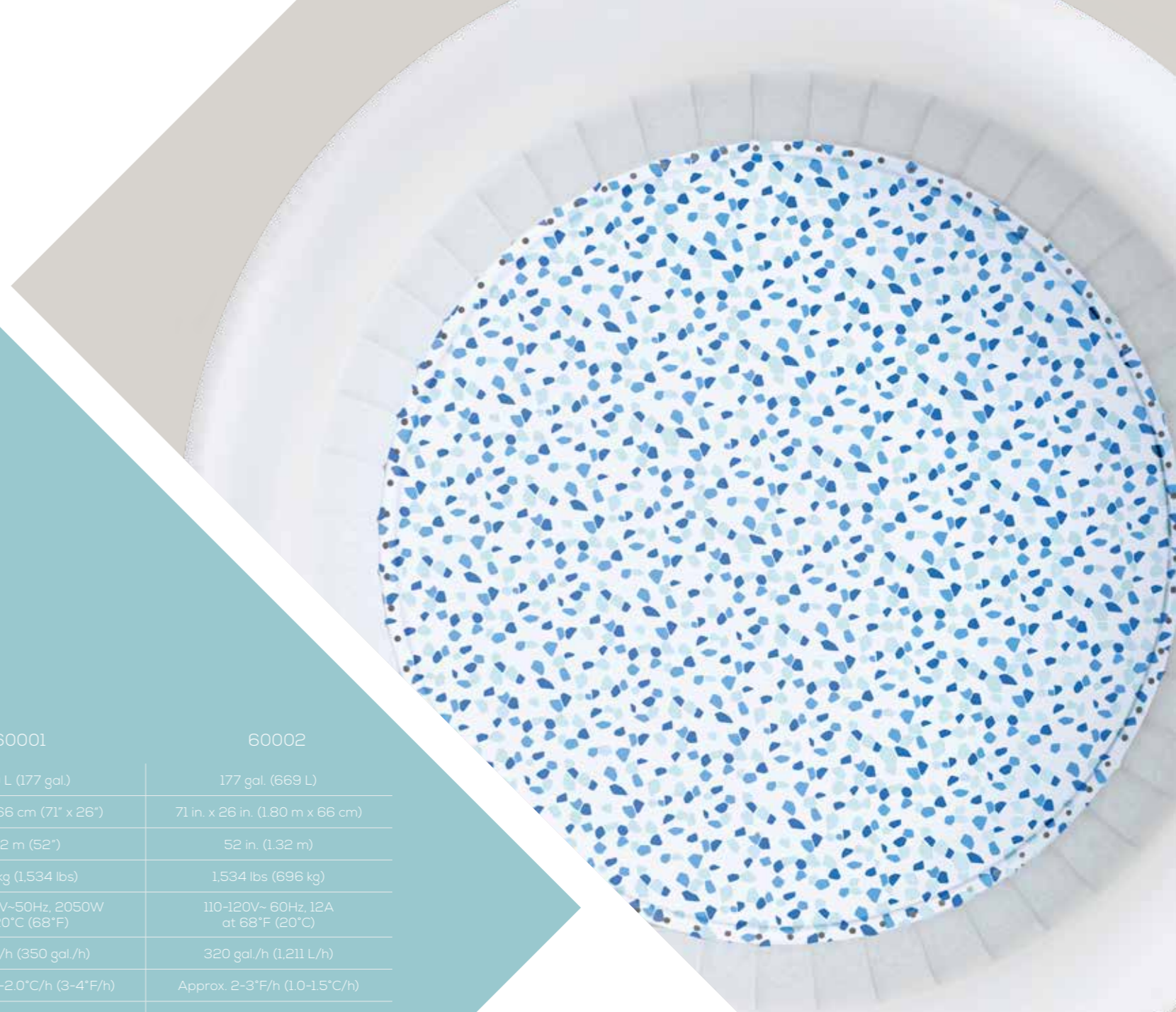
MULTI-FUNCTION PUMP



CAPACITY 2-4 PEOPLE

### SPECIFICATIONS

	60001	60002
WATER CAPACITY (80%)	669 L (177 gal.)	177 gal. (669 L)
INFLATED SIZE	1.80 m x 66 cm (71" x 26")	71 in. x 26 in. (1.80 m x 66 cm)
INNER SIZE	1.32 m (52")	52 in. (1.32 m)
FILLED WEIGHT	696 kg (1,534 lbs)	1,534 lbs (696 kg)
RATING	220-240V~50Hz, 2050W at 20°C (68°F)	110-120V~ 60Hz, 12A at 68°F (20°C)
ACTUAL WATER FLOW	1,325 L/h (350 gal./h)	320 gal./h (1,211 L/h)
HEATING SYSTEM	Approx. 1.5-2.0°C/h (3-4°F/h)	Approx. 2-3°F/h (1.0-1.5°C/h)
CERTIFICATION	CE/GS(TUV-RL)/EAC/CM	CETL
PACK/GROSS WEIGHT	1 Ea., 33.93 KG (74.80 LBS)	1 Ea., 71.08 LBS (32.24 KG)



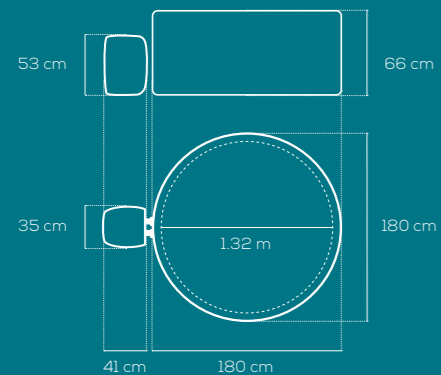


# BAHAMAS

60005+60006

- Soothing AirJet™ bubble massage system (120 jets)
- Ultra-strong DuraPlus™ walls are stress tested to offer durability
- Freeze Shield™ automatic heating prevents water from freezing & damaging the spa
- Program the spa heater up to 40 days in advance for future use
- ChemConnect™ dispenser provides a stable level of chlorine throughout the spa
- Power-saving, timer-controlled heating system
- Digital control panel & spa pump with integrated filtration system includes cup holders and is accessible from inside the spa
- Reinforced cover with safety lock clips

Contents: 1 spa, 1 pool cover, 1 spa pump, filter cartridge (VI), 1 ChemConnect™ dispenser, repair patch, AirJet™ system



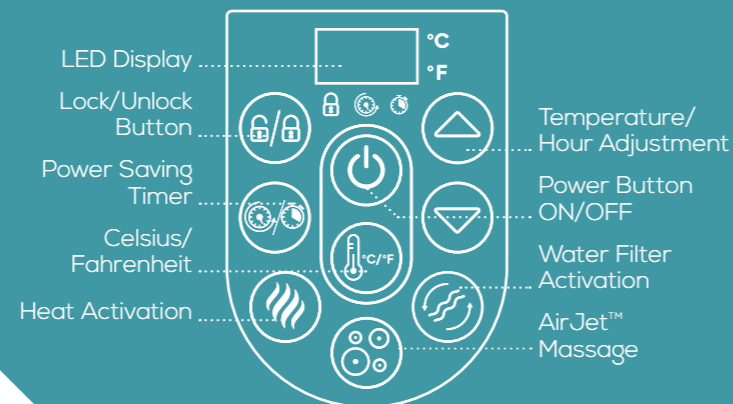


# BAHAMAS

60005+60006



## DIGITAL CONTROL PANEL



## DURAPLUS™

### WALL AND TOP RING

The outer surface of this spa is constructed with premium DuraPlus™ material, providing superior durability, stretch resistance and structural stability.

## SPA FEATURES



FREEZE SHIELD™



AIRJET™ MASSAGE SYSTEM



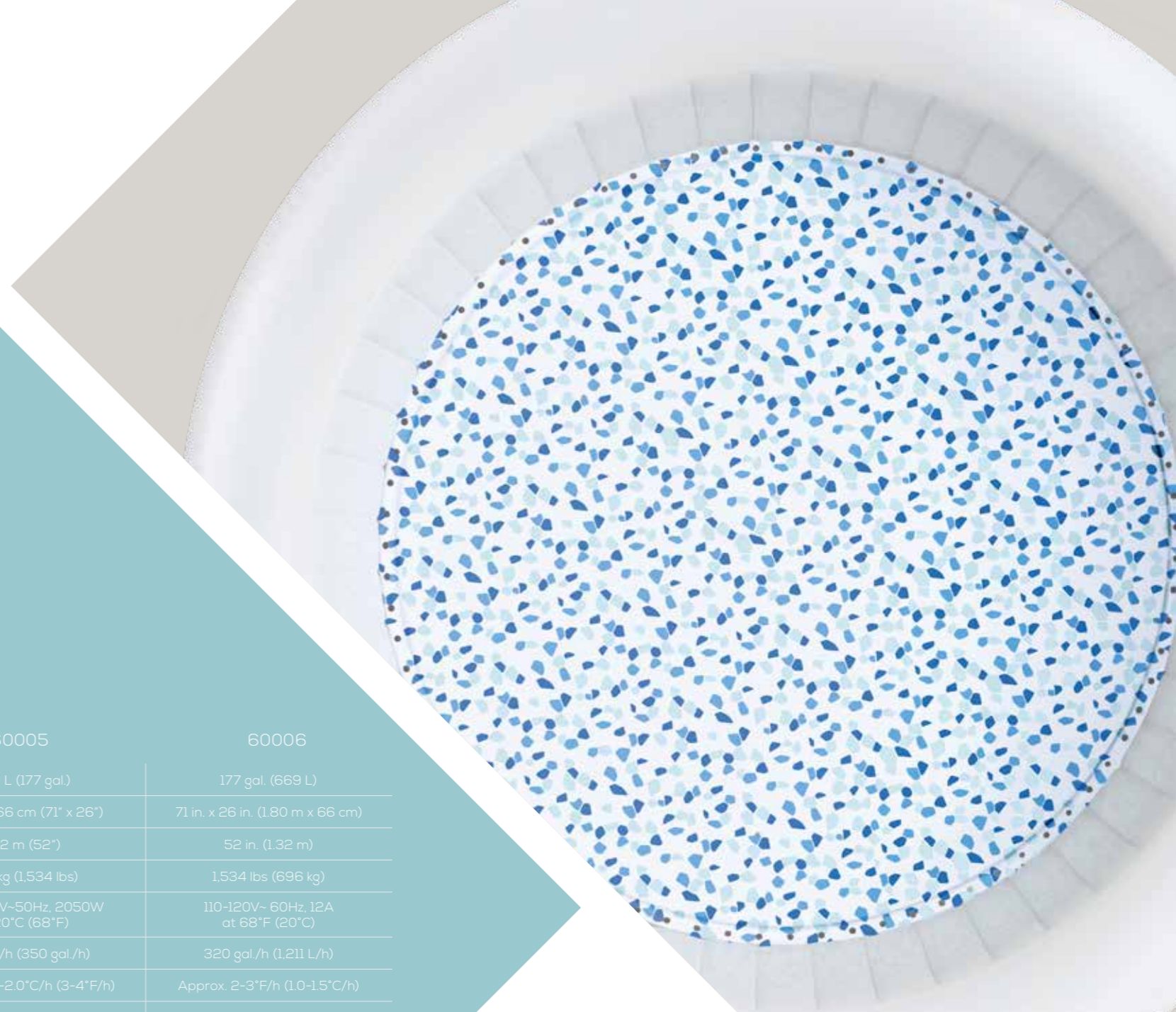
MULTI-FUNCTION PUMP



CAPACITY 2-4 PEOPLE

## SPECIFICATIONS

	60005	60006
WATER CAPACITY (80%)	669 L (177 gal.)	177 gal. (669 L)
INFLATED SIZE	1.80 m x 66 cm (71" x 26")	71 in. x 26 in. (1.80 m x 66 cm)
INNER SIZE	1.32 m (52")	52 in. (1.32 m)
FILLED WEIGHT	696 kg (1,534 lbs)	1,534 lbs (696 kg)
RATING	220-240V~50Hz, 2050W at 20°C (68°F)	110-120V~ 60Hz, 12A at 68°F (20°C)
ACTUAL WATER FLOW	1,325 L/h (350 gal./h)	320 gal./h (1,211 L/h)
HEATING SYSTEM	Approx. 1.5-2.0°C/h (3-4°F/h)	Approx. 2-3°F/h (1.0-1.5°C/h)
CERTIFICATION	CE/GS(TUV-RL)/EAC/CM	CETL
PACK/GROSS WEIGHT	1 Ea., 33.93 KG (74.80 LBS)	1 Ea., 71.08 LBS (32.24 KG)





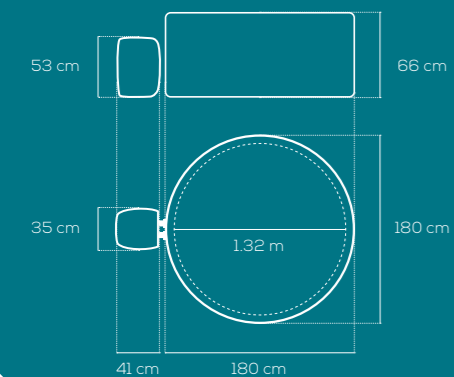
NEW

# FIJI

60085+60086

- Soothing AirJet™ bubble massage system (120 jets)
- Ultra-strong DuraPlus™ walls are stress tested to offer durability
- Freeze Shield™ automatic heating prevents water from freezing & damaging the spa
- Program the spa heater up to 40 days in advance for future use
- ChemConnect™ dispenser provides a stable level of chlorine throughout the spa
- Power-saving, timer-controlled heating system
- Digital control panel & spa pump with integrated filtration system includes cup holders and is accessible from inside the spa
- Reinforced cover with safety lock clips

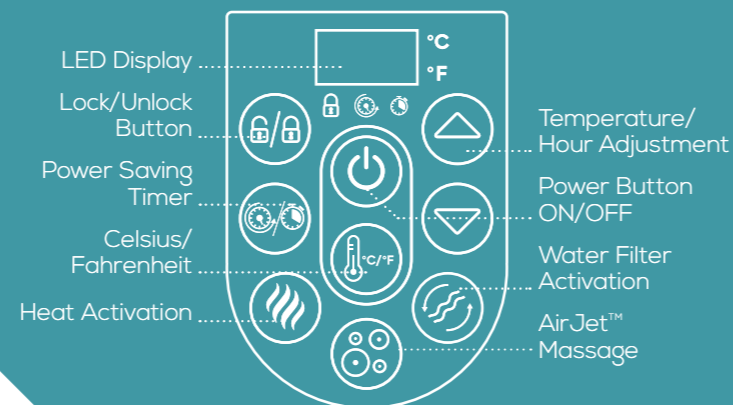
Contents: 1 spa, 1 pool cover, 1 spa pump, filter cartridge (VI), 1 ChemConnect™ dispenser, repair patch, AirJet™ system







## DIGITAL CONTROL PANEL



## DURAPLUS™ WALL AND TOP RING

The outer surface of this spa is constructed with premium DuraPlus™ material, providing superior durability, stretch resistance and structural stability.

## SPA FEATURES



FREEZE SHIELD™



AIRJET™ MASSAGE SYSTEM



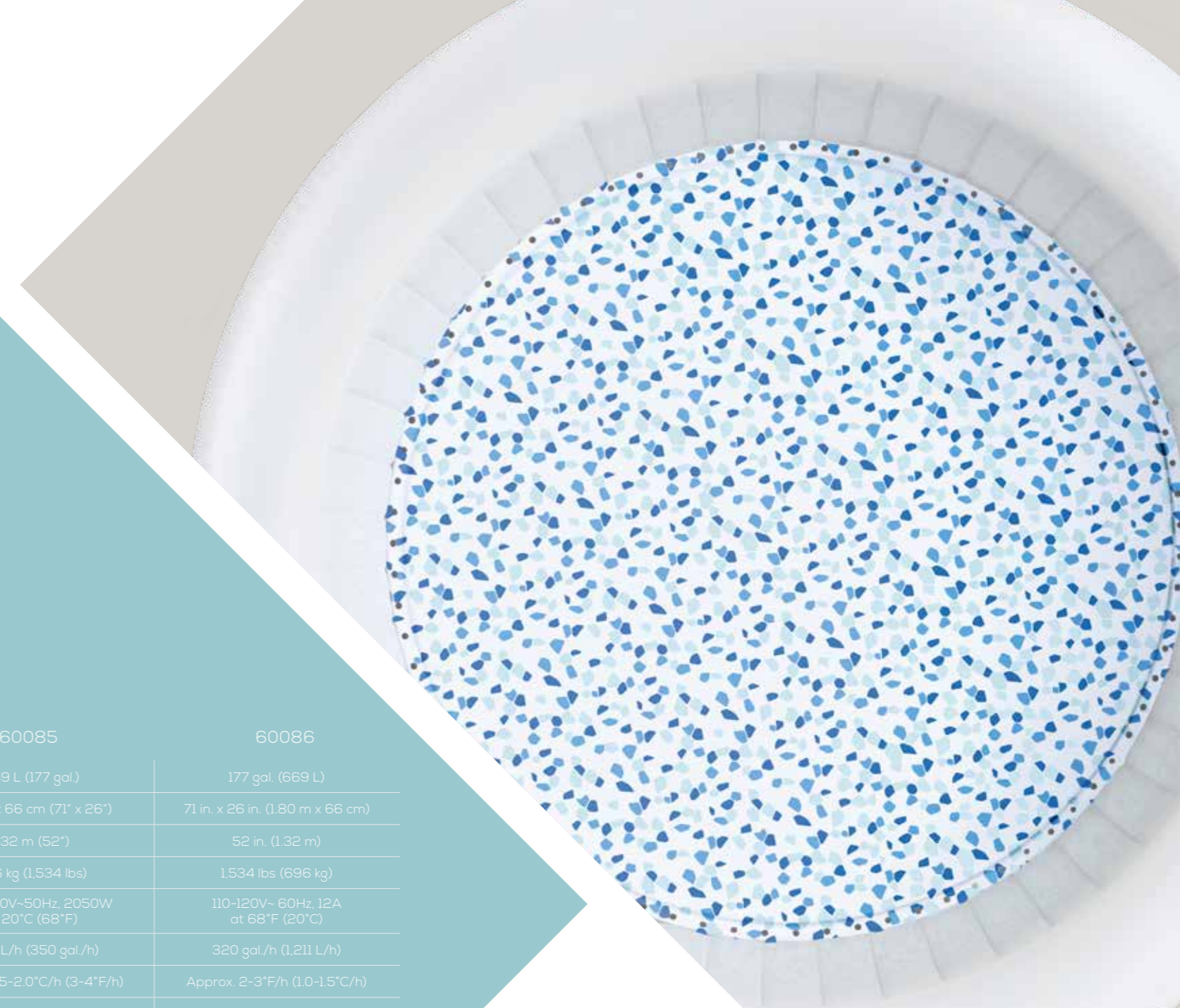
MULTI-FUNCTION PUMP



CAPACITY 2-4 PEOPLE

## SPECIFICATIONS

	60085	60086
WATER CAPACITY (80%)	669 L (177 gal.)	177 gal. (669 L)
INFLATED SIZE	1.80 m x 66 cm (71" x 26")	71 in. x 26 in. (1.80 m x 66 cm)
INNER SIZE	1.32 m (52")	52 in. (1.32 m)
FILLED WEIGHT	696 kg (1,534 lbs)	1,534 lbs (696 kg)
RATING	220-240V~50Hz, 2050W at 20°C (68°F)	110-120V~ 60Hz, 12A at 68°F (20°C)
ACTUAL WATER FLOW	1,325 L/h (350 gal./h)	320 gal./h (1,211 L/h)
HEATING SYSTEM	Approx. 1.5-2.0°C/h (3-4°F/h)	Approx. 2-3°F/h (1.0-1.5°C/h)
CERTIFICATION	CE/GS(TUV-RL)/EAC/CM	CETL
PACK/GROSS WEIGHT	1 Ea., 33.93 KG (74.80 LBS)	1 Ea., 71.08 LBS (32.24 KG)



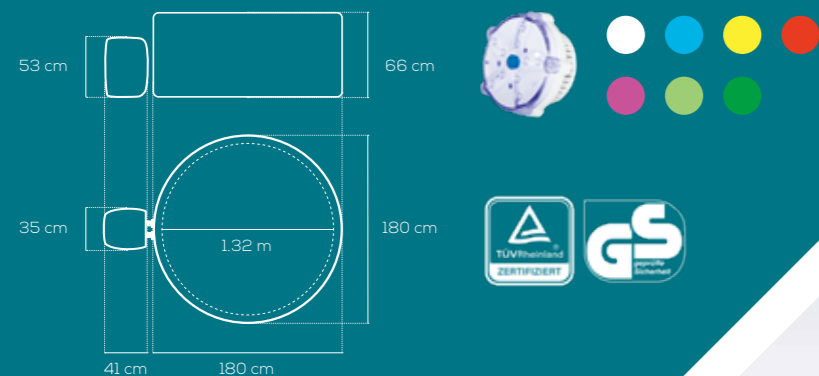


# TAHITI

60007+60008

- Soothing AirJet™ bubble massage system (120 jets)
- Ultra-strong DuraPlus™ walls are stress tested to offer durability
- Freeze Shield™ automatic heating prevents water from freezing & damaging the spa
- Program the spa heater up to 40 days in advance for future use
- ChemConnect™ dispenser provides a stable level of chlorine throughout the spa
- 7-Color LED light uses 3 AAA batteries (not included)
- Power-saving, timer-controlled heating system
- Digital control panel & spa pump with integrated filtration system includes cup holders and is accessible from inside the spa
- Reinforced cover with safety lock clips

Contents: 1 spa, 1 pool cover, 1 spa pump, filter cartridge (VI), 1 ChemConnect™ dispenser, 1 LED light, repair patch, AirJet™ system



LAY-Z-SPA  
TAHITI

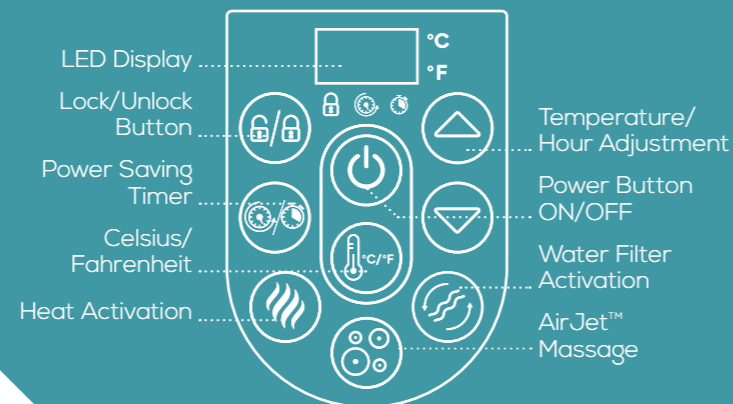


# TAHITI

60007+60008



## DIGITAL CONTROL PANEL



## DURAPLUS™ WALL AND TOP RING

The outer surface of this spa is constructed with premium DuraPlus™ material, providing superior durability, stretch resistance and structural stability.

## SPA FEATURES



FREEZE SHIELD™



AIRJET™ MASSAGE SYSTEM



MULTI-FUNCTION PUMP



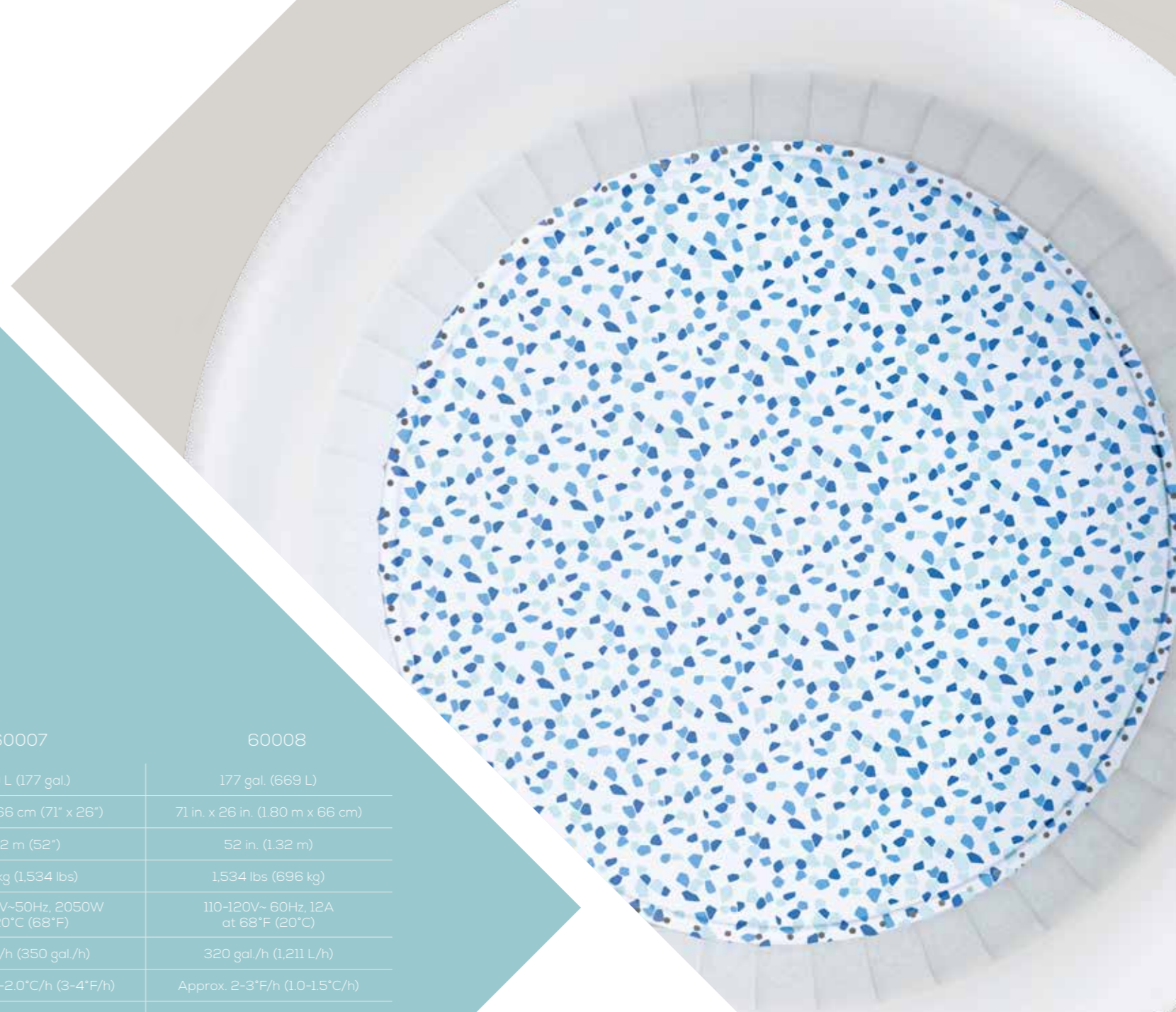
CAPACITY 2-4 PEOPLE



7-COLOR LED LIGHTS

## SPECIFICATIONS

	60007	60008
WATER CAPACITY (80%)	669 L (177 gal.)	177 gal. (669 L)
INFLATED SIZE	1.80 m x 66 cm (71" x 26")	71 in. x 26 in. (1.80 m x 66 cm)
INNER SIZE	1.32 m (52")	52 in. (1.32 m)
FILLED WEIGHT	696 kg (1,534 lbs)	1,534 lbs (696 kg)
RATING	220-240V~50Hz, 2050W at 20°C (68°F)	110-120V~ 60Hz, 12A at 68°F (20°C)
ACTUAL WATER FLOW	1,325 L/h (350 gal./h)	320 gal./h (1,211 L/h)
HEATING SYSTEM	Approx. 1.5-2.0°C/h (3-4°F/h)	Approx. 2-3°F/h (1.0-1.5°C/h)
CERTIFICATION	CE/GS(TUV-RL)/EAC/CM	ETL-us
PACK/GROSS WEIGHT	1 Ea., 33.93 KG (74.80 LBS)	1 Ea., 71.08 LBS (32.24 KG)





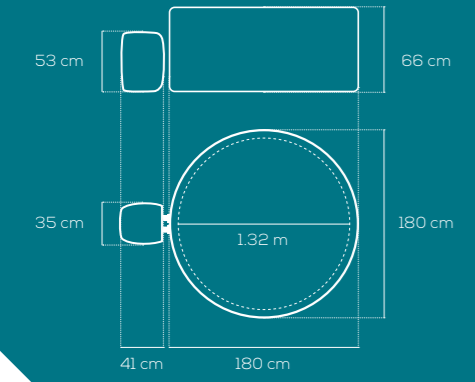
NEW

# MADRID

60055+60056

- Soothing AirJet™ bubble massage system (120 jets)
- Massage regulator provides 2 intensity level options
- Ultra-strong DuraPlus™ walls are stress tested to offer durability
- Freeze Shield™ automatic heating prevents water from freezing & damaging the spa
- Program the spa heater up to 40 days in advance for future use
- Built-in Wi-Fi module, spa can be controlled through a phone app
- ChemConnect™ dispenser provides a stable level of chlorine throughout the spa
- Power-saving, timer-controlled heating system
- Digital control panel & spa pump with integrated filtration system includes two cup holders and is accessible from inside the spa
- Reinforced cover with safety lock clips

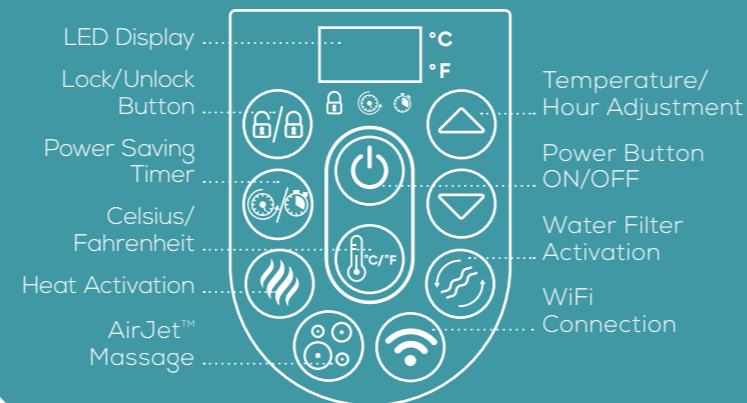
Contents: 1 spa, 1 pool cover, 1 spa pump, filter cartridge (VI), 1 ChemConnect™ dispenser, repair patch, AirJet™ system







## DIGITAL CONTROL PANEL



## DURAPLUS™

### WALL AND TOP RING

The outer surface of this spa is constructed with premium DuraPlus™ material, providing superior durability, stretch resistance and structural stability.

## SPA FEATURES



FREEZE SHIELD™



AIRJET™ MASSAGE SYSTEM



MULTI-FUNCTION PUMP



1x 100%  
2x 50%  
MASSAGE REGULATION  
2 INTENSITY LEVELS



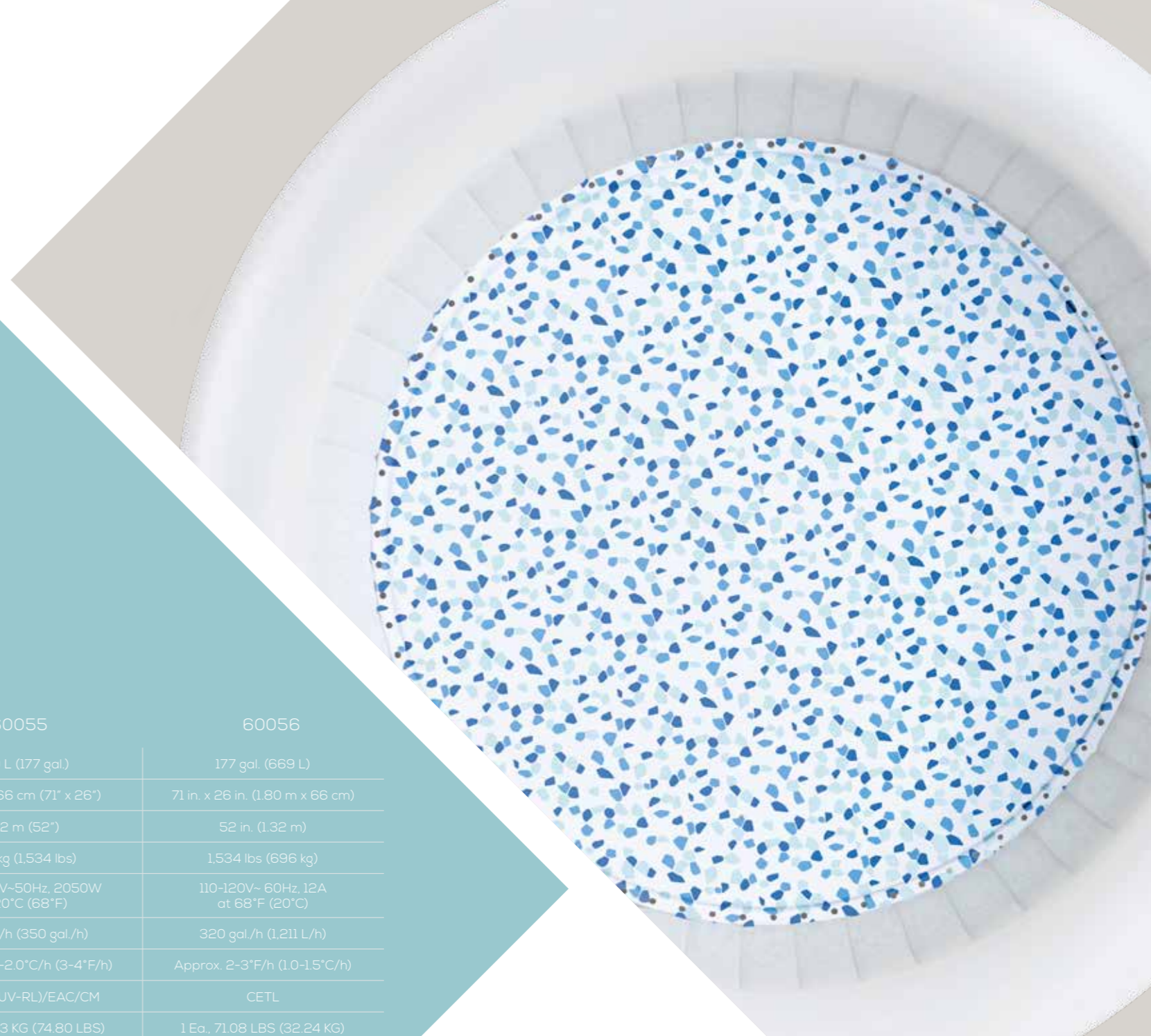
BESTWAY SMART HUB™ APP



CAPACITY 2-4 PEOPLE

## SPECIFICATIONS

	60055	60056
WATER CAPACITY (80%)	669 L (177 gal.)	177 gal. (669 L)
INFLATED SIZE	1.80 m x 66 cm (71" x 26")	71 in. x 26 in. (1.80 m x 66 cm)
INNER SIZE	1.32 m (52")	52 in. (1.32 m)
FILLED WEIGHT	696 kg (1,534 lbs)	1,534 lbs (696 kg)
RATING	220-240V~50Hz, 2050W at 20°C (68°F)	110-120V~ 60Hz, 12A at 68°F (20°C)
ACTUAL WATER FLOW	1,325 L/h (350 gal./h)	320 gal./h (1,211 L/h)
HEATING SYSTEM	Approx. 1.5-2.0°C/h (3-4°F/h)	Approx. 2-3°F/h (1.0-1.5°C/h)
CERTIFICATION	CE/GS(TUV-RL)/EAC/CM	CETL
PACK/GROSS WEIGHT	1 Ea., 33.93 KG (74.80 LBS)	1 Ea., 71.08 LBS (32.24 KG)



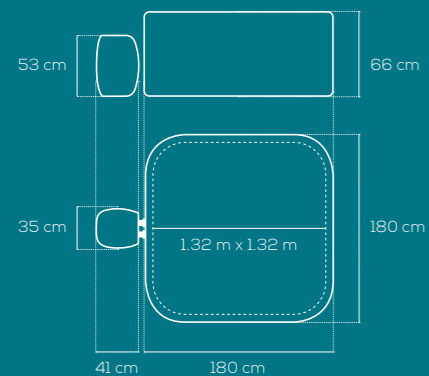


# IBIZA

60015+60016

- Soothing AirJet™ bubble massage system (140 jets)
- Ultra-strong DuraPlus™ walls are stress tested to offer durability
- Freeze Shield™ automatic heating prevents water from freezing & damaging the spa
- Program the spa heater up to 40 days in advance for future use
- ChemConnect™ dispenser provides a stable level of chlorine throughout the spa
- Power-saving, timer-controlled heating system
- Digital control panel & spa pump with integrated filtration system includes cup holders and is accessible from inside the spa
- Reinforced cover with safety lock clips

Contents: 1 spa, 1 pool cover, 1 spa pump, filter cartridge (VI), 1 ChemConnect™ dispenser, repair patch, AirJet™ system

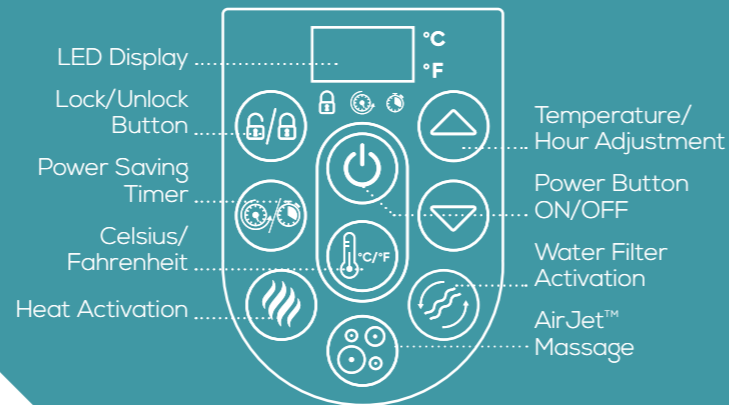


LAY-Z-SPA.  
IBIZA





### DIGITAL CONTROL PANEL



### DURAPLUS™ WALL AND TOP RING

The outer surface of this spa is constructed with premium DuraPlus™ material, providing superior durability, stretch resistance and structural stability.

### SPA FEATURES



FREEZE SHIELD™



AIRJET™ MASSAGE SYSTEM



MULTI-FUNCTION PUMP



CAPACITY 4-6 PEOPLE

### SPECIFICATIONS

	60015	60016
WATER CAPACITY (70%)	778 L (205 gal.)	205 gal. (778 L)
INFLATED SIZE	1.80 m x 1.80 m x 66 cm (71" x 71" x 26")	71 in. x 71 in. x 26 in. (1.80 m x 1.80 m x 66 cm)
INNER SIZE	1.32 m x 1.32m (52" x 52")	52 in. x 52 in. (1.32 m x 1.32 m)
FILLED WEIGHT	807 kg (1,779 lbs)	1,779 lbs (807 kg)
RATING	220-240V~50Hz, 2050W at 20°C (68°F)	110-120V~ 60Hz, 12A at 68°F (20°C)
ACTUAL WATER FLOW	1,325 L/h (350 gal./h)	320 gal./h (1,211 L/h)
HEATING SYSTEM	Approx. 1.5-2.0°C/h (3-4°F/h)	Approx. 2-3°F/h (1.0-1.5°C/h)
CERTIFICATION	CE/GS(TUV-RL)/EAC/CM	CETL
PACK/GROSS WEIGHT	1 Ea., 37.70 KG (83.11 LBS)	1 Ea., 79.72 LBS (36.16 KG)





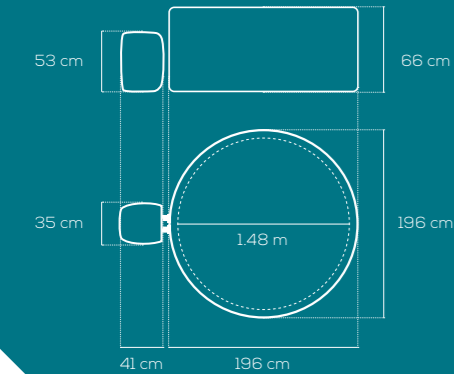
NEW

# HOLLYWOOD

60059+60060

- Soothing AirJet™ bubble massage system (140 jets)
- Ultra-strong DuraPlus™ walls are stress tested to offer durability
- Freeze Shield™ automatic heating prevents water from freezing & damaging the spa
- Program the spa heater up to 40 days in advance for future use
- ChemConnect™ dispenser provides a stable level of chlorine throughout the spa
- Remote-controlled plug-in multicolored LED light shines through the semi-transparent liner to illuminate the water
- Power-saving, timer-controlled heating system
- Digital control panel & spa pump with integrated filtration system includes cup holders and is accessible from inside the spa
- Reinforced cover with safety lock clips

Contents: 1 spa, 1 pool cover, 1 spa pump, filter cartridge (VI), 1 ChemConnect™ dispenser, 1 LED light strip, 4 pillows, repair patch, AirJet™ system



SCAN HERE  
TO SEE HOW  
IT WORKS !

LAY-Z-SPA  
HOLLYWOOD



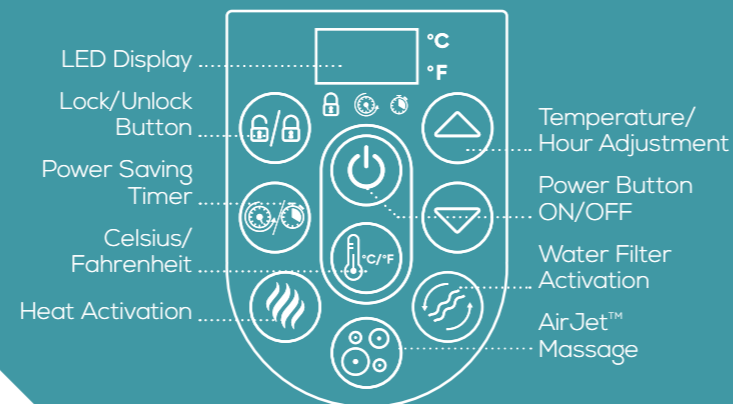
NEW

# HOLLYWOOD

60059+60060



## DIGITAL CONTROL PANEL



### DURAPLUS™

#### WALL AND TOP RING

The outer surface of this spa is constructed with premium DuraPlus™ material, providing superior durability, stretch resistance and structural stability.

## SPA FEATURES



FREEZE SHIELD™



AIRJET™ MASSAGE SYSTEM



MULTI-FUNCTION PUMP



CAPACITY 4-6 PEOPLE



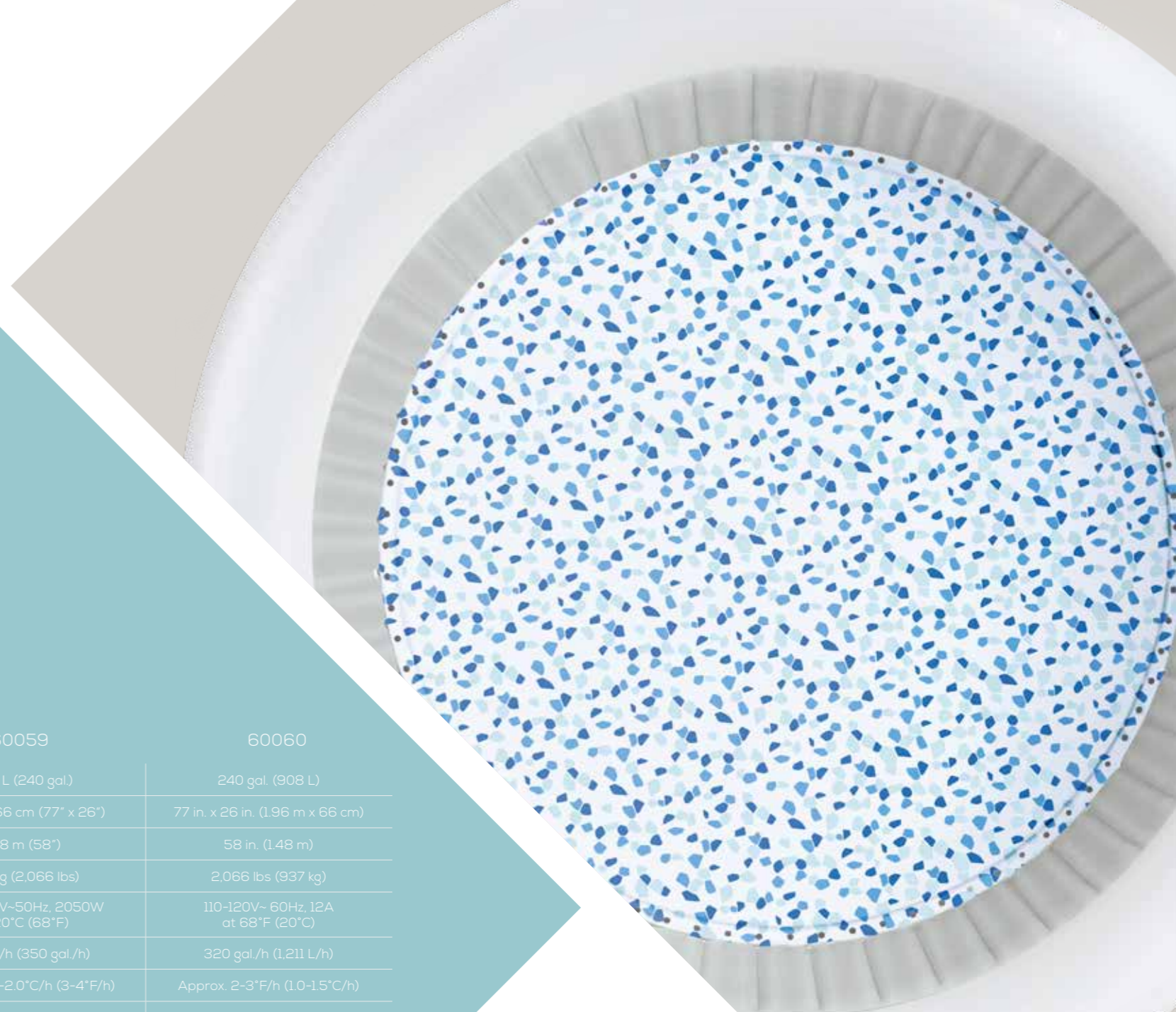
PADDED PILLOWS



7-COLOR LED LIGHTS

## SPECIFICATIONS

	60059	60060
WATER CAPACITY (80%)	908 L (240 gal.)	240 gal. (908 L)
INFLATED SIZE	1.96 m x 66 cm (77" x 26")	77 in. x 26 in. (1.96 m x 66 cm)
INNER SIZE	1.48 m (58")	58 in. (1.48 m)
FILLED WEIGHT	937 kg (2,066 lbs)	2,066 lbs (937 kg)
RATING	220-240V~50Hz, 2050W at 20°C (68°F)	110-120V~ 60Hz, 12A at 68°F (20°C)
ACTUAL WATER FLOW	1,325 L/h (350 gal./h)	320 gal./h (1,211 L/h)
HEATING SYSTEM	Approx. 1.5-2.0°C/h (3-4°F/h)	Approx. 2-3°F/h (1.0-1.5°C/h)
CERTIFICATION	CE/EAC/GS(TUV-RL)/CM	CETL
PACK/GROSS WEIGHT	1 Ea., 39.27 KG (86.57 LBS)	1 Ea., 82.76 LBS (37.54 KG)





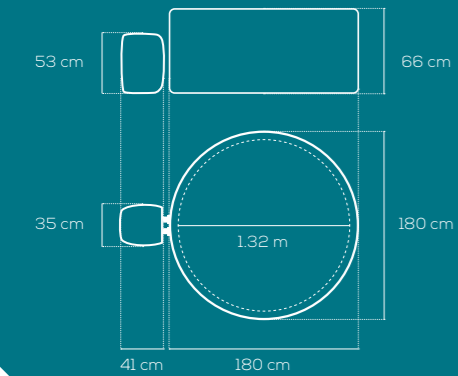
NEW

# ZURICH

60065+60066

- Soothing AirJet™ bubble massage system (120 jets)
- EnergySense™ insulated cover makes this spa 40% more energy efficient
- Ultra-strong DuraPlus™ walls are stress tested to offer durability
- Freeze Shield™ automatic heating prevents water from freezing & damaging the spa
- Program the spa heater up to 40 days in advance for future use
- ChemConnect™ dispenser provides a stable level of chlorine throughout the spa
- Power-saving, timer-controlled heating system
- Reinforced cover with safety lock clips

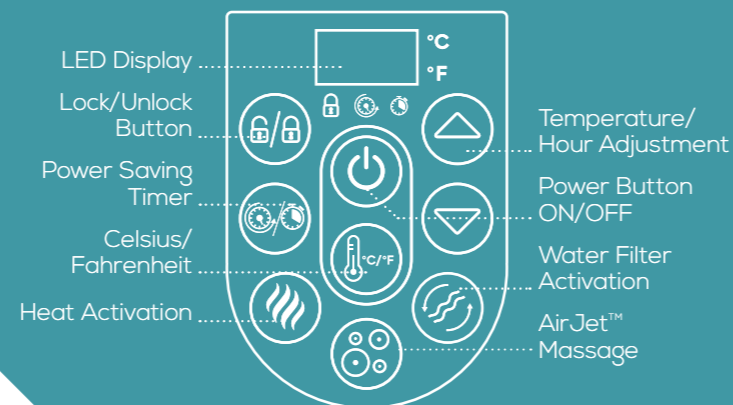
Contents: 1 pool liner, 1 pool cover, 1 spa pump, 1 ChemConnect™ dispenser, filter cartridge (VI), repair patch, AirJet™ system







## DIGITAL CONTROL PANEL

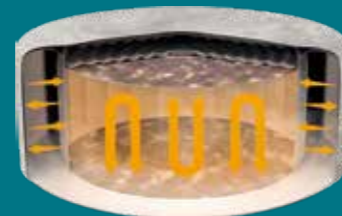


## DURAPLUS™ WALL AND TOP RING

The outer surface of this spa is constructed with premium DuraPlus™ material, providing superior durability, stretch resistance and structural stability.

## ENERGYSENSE™ INSULATED COVER

Insulated cover speeds up heating time and prevents heat loss, making the Zurich 40% more energy efficient than similar inflatable spas.



## SPA FEATURES



FREEZE SHIELD™



AIRJET™ MASSAGE SYSTEM



MULTI-FUNCTION PUMP



CAPACITY 2-4 PEOPLE



ENERGYSENSE™ COVER

## SPECIFICATIONS

	60065	60066
WATER CAPACITY (80%)	669 L (177 gal.)	177 gal. (669 L)
INFLATED SIZE	1.80 m x 66 cm (71" x 26")	71 in. x 26 in. (1.80 m x 66 cm)
INNER SIZE	1.32 m (52")	52 in. (1.32 m)
FILLED WEIGHT	713 kg (1,572 lbs)	1,572 lbs (713 kg)
RATING	220-240V~50Hz, 2050W at 20°C (68°F)	110-120V~ 60Hz, 12A at 68°F (20°C)
ACTUAL WATER FLOW	1,325 L/h (350 gal./h)	320 gal./h (1,211 L/h)
HEATING SYSTEM	Approx. 1.8-2.4°C/h (3-4°F/h)	Approx. 2.3-3.2°F/h (1.3-1.8°C/h)
CERTIFICATION	CE/GS(TUV-RL)/EAC/CM	CETL
PACK/GROSS WEIGHT	1 Ea., 43.63 KG (96.19 LBS)	1 Ea., 92.59 LBS (42.00 KG)



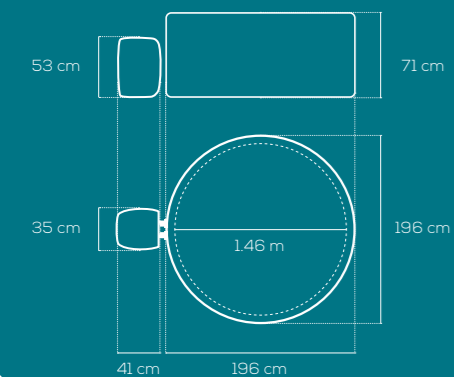


# HONOLULU

60019+60020

- Soothing AirJet™ bubble massage system (140 jets)
- Ultra-strong DuraPlus™ internal beams and outer walls offer superior structural stability
- Freeze Shield™ automatic heating prevents water from freezing & damaging the spa
- Program the spa heater up to 40 days in advance for future use
- ChemConnect™ dispenser provides a stable level of chlorine throughout the spa
- Power-saving, timer-controlled heating system
- Digital control panel & spa pump with integrated filtration system includes cup holders and is accessible from inside the spa
- Rattan print on outside with mosaic print on the inside
- Reinforced cover with safety lock clips

Contents: 1 spa, 1 pool cover, 1 spa pump, 1 ChemConnect™ dispenser, filter cartridge (VI), repair kit, AirJet™ system



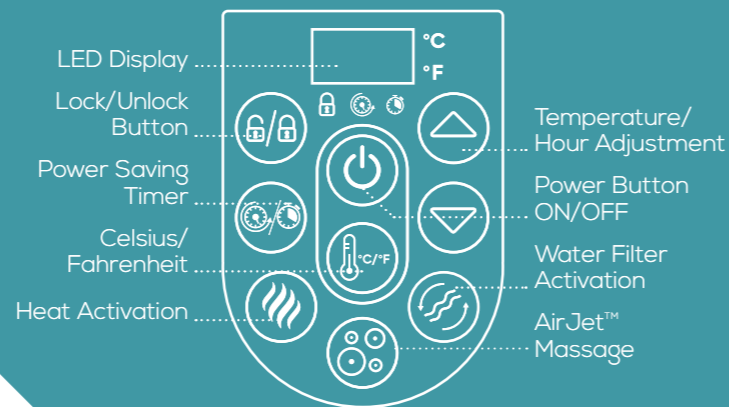


# HONOLULU

60019+60020



## DIGITAL CONTROL PANEL



## DURAPLUS™ WALL AND TOP RING

The outer surface of this spa is constructed with premium DuraPlus™ material, providing superior durability, stretch resistance and structural stability.

## DURAPLUS™ INTERNAL BEAM

The internal beam structure of the spa may also be constructed with DuraPlus™ material, providing extra stretch resistance, which allows the spa to keep its shape no matter how many times it's inflated or deflated.



## SPA FEATURES



FREEZE SHIELD™



AIRJET™ MASSAGE SYSTEM



MULTI-FUNCTION PUMP



CAPACITY 4-6 PEOPLE

## SPECIFICATIONS

	60019	60020
WATER CAPACITY (80%)	916 L (242 gal.)	242 gal. (916 L)
INFLATED SIZE	1.96 m x 71 cm (77" x 28")	77 in. x 28 in. (1.96 m x 71 cm)
INNER SIZE	1.46 m (57")	57 in. (1.46 m)
FILLED WEIGHT	954 kg (2,103 lbs)	2,103 lbs (954 kg)
RATING	220-240V-50Hz, 2050W at 20°C (68°F)	110-120V- 60Hz, 12A at 68°F (20°C)
ACTUAL WATER FLOW	1,325 L/h (350 gal./h)	320 gal./h (1,211 L/h)
HEATING SYSTEM	Approx. 1.5-2.0°C/h (3-4°F/h)	Approx. 2-3°F/h (1.0-1.5°C/h)
CERTIFICATION	CE/EAC/GS(TUV-RL)/CM	CETL
PACK/GROSS WEIGHT	1 Ea., 41.62 KG (91.76 LBS)	1 Ea., 88.03 LBS (39.93 KG)



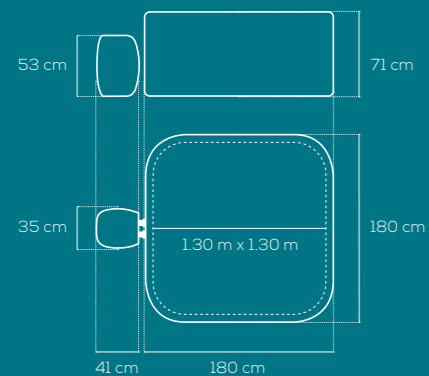


# HAWAII

60021+60022

- Soothing AirJet™ bubble massage system (140 jets)
- Ultra-strong DuraPlus™ internal beams and outer walls offer superior structural stability
- Freeze Shield™ automatic heating prevents water from freezing & damaging the spa
- Program the spa heater up to 40 days in advance for future use
- ChemConnect™ dispenser provides a stable level of chlorine throughout the spa
- Power-saving, timer-controlled heating system
- Digital control panel & spa pump with integrated filtration system includes cup holders and is accessible from inside the spa
- Reinforced cover with safety lock clips

Contents: 1 spa, 1 pool cover, 1 spa pump, 1 ChemConnect™ dispenser, filter cartridge (VI), repair kit, AirJet™ system



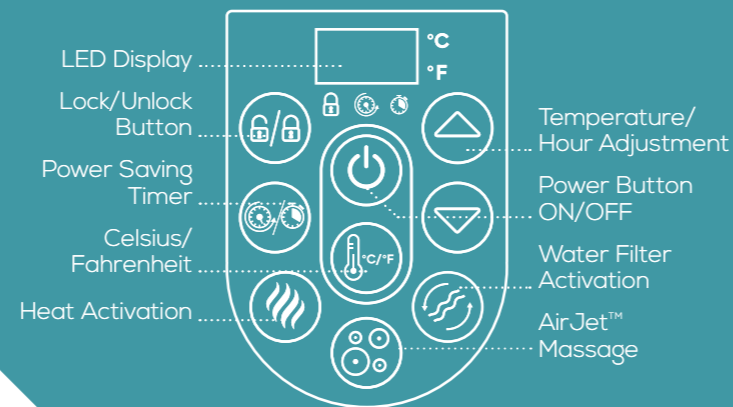


# HAWAII

60021+60022



## DIGITAL CONTROL PANEL



### DURAPLUS™ WALL AND TOP RING

The outer surface of this spa is constructed with premium DuraPlus™ material, providing superior durability, stretch resistance and structural stability.

### DURAPLUS™ INTERNAL BEAM

The internal beam structure of the spa may also be constructed with DuraPlus™ material, providing extra stretch resistance, which allows the spa to keep its shape no matter how many times it's inflated or deflated.



## SPA FEATURES



FREEZE SHIELD™



AIRJET™ MASSAGE SYSTEM



MULTI-FUNCTION PUMP



CAPACITY 4-6 PEOPLE

## SPECIFICATIONS

	60021	60022
WATER CAPACITY (80%)	840 L (222 gal.)	222 gal. (840 L)
INFLATED SIZE	1.80 m x 1.80 m x 71 cm (71" x 71" x 28")	71 in. x 71 in. x 28 in. (1.80 m x 1.80 m x 71 cm)
INNER SIZE	1.30 m x 1.30 m (51" x 51")	51 in. x 51 in. (1.30 M x 1.30 M)
FILLED WEIGHT	879 kg (1,938 lbs)	1,938 lbs (879 kg)
RATING	220-240V~50Hz, 2050W at 20°C (68°F)	110-120V~ 60Hz, 12A at 68°F (20°C)
ACTUAL WATER FLOW	1.325 L/h (350 gal./h)	320 gal./h (1,211 L/h)
HEATING SYSTEM	Approx. 1.5-2.0°C/h (3-4°F/h)	Approx. 2-3°F/h (1.0-1.5°C/h)
CERTIFICATION	CE/EAC/GS(TUV-RL)/CM	CETL
PACK/GROSS WEIGHT	1 Ea., 43.11 KG (95.04 LBS)	1 Ea., 91.31 LBS (41.42 KG)



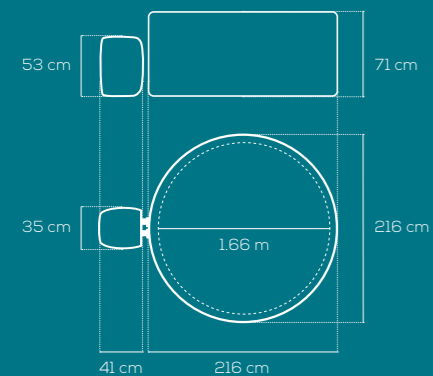


# ST. MORITZ

60023+60024

- Soothing AirJet™ bubble massage system (180 jets)
- Ultra-strong DuraPlus™ internal beams and outer walls offer superior structural stability
- Freeze Shield™ automatic heating prevents water from freezing & damaging the spa
- Program the spa heater up to 40 days in advance for future use
- ChemConnect™ dispenser provides a stable level of chlorine throughout the spa
- Power-saving, timer-controlled heating system
- Digital control panel & spa pump with integrated filtration system includes cup holders and is accessible from inside the spa
- Rattan print on outside with mosaic print on the inside
- Reinforced cover with safety lock clips

Contents: 1 spa, 1 pool cover, 1 spa pump, 1 ChemConnect™ dispenser, filter cartridge (VI), repair kit, AirJet™ system



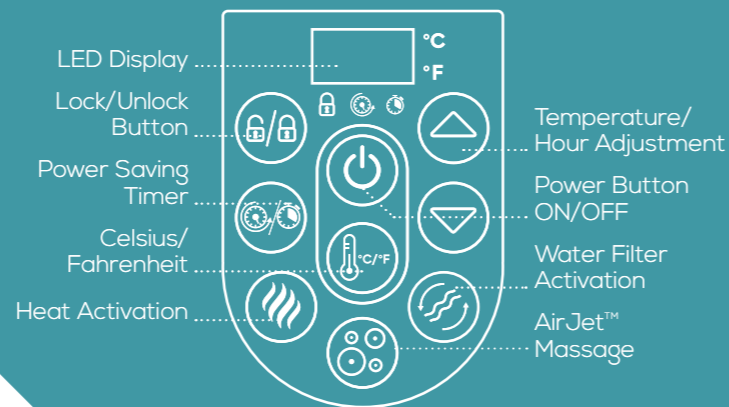


# ST. MORITZ

60023+60024



## DIGITAL CONTROL PANEL

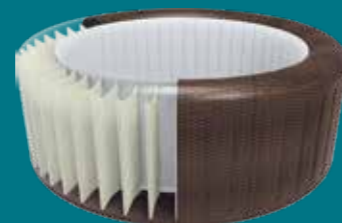


### DURAPLUS™ WALL AND TOP RING

The outer surface of this spa is constructed with premium DuraPlus™ material, providing superior durability, stretch resistance and structural stability.

### DURAPLUS™ INTERNAL BEAM

The internal beam structure of the spa may also be constructed with DuraPlus™ material, providing extra stretch resistance, which allows the spa to keep its shape no matter how many times it's inflated or deflated.



## SPA FEATURES



FREEZE SHIELD™



AIRJET™ MASSAGE SYSTEM



MULTI-FUNCTION PUMP



CAPACITY 5-7 PEOPLE

## SPECIFICATIONS

	60023	60024
WATER CAPACITY (80%)	1,190 L (314 gal.)	314 gal. (1,190 L)
INFLATED SIZE	2.16 m x 71 cm (85" x 28")	85 in. x 28 in. ( 2.16 m x 71 cm)
INNER SIZE	1.66 m (65")	65 in. (1.66 m)
FILLED WEIGHT	1,210 kg (2,668 lbs)	2,668 lbs (1,210 kg)
RATING	220-240V~50Hz, 2050W at 20°C (68°F)	110-120V~ 60Hz, 12A at 68°F (20°C)
ACTUAL WATER FLOW	1,325 L/h (350 gal./h)	320 gal./h (1,211 L/h)
HEATING SYSTEM	Approx. 10-1.5°C/h (2-3°F/h)	Approx. 10-2.0°F/h (0.5-1.0°C/h)
CERTIFICATION	CE/EAC/GS(TUV-RL)/CM	CETL
PACK/GROSS WEIGHT	1 Ea., 45.99 KG (101.39 LBS)	1 Ea., 97.66 LBS (44.30 KG)



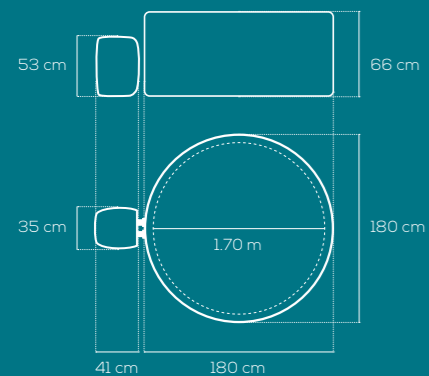


# HELSINKI

60025+60026

- Soothing AirJet™ bubble massage system (180 jets)
- Walls are made of drop stitch material, providing a strong and durable hard-sided spa
- Freeze Shield™ automatic heating prevents water from freezing & damaging the spa
- Program the spa heater up to 40 days in advance for future use
- ChemConnect™ dispenser provides a stable level of chlorine throughout the spa
- Power-saving, timer-controlled heating system
- Digital control panel & spa pump with integrated filtration system includes cup holders and is accessible from inside the spa
- Reinforced cover with safety lock clips

Contents: 1 spa, 1 pool cover, 1 spa pump, 1 ChemConnect™ dispenser, 1 high pressure hand pump, filter cartridge (VI), repair kit, AirJet™ system



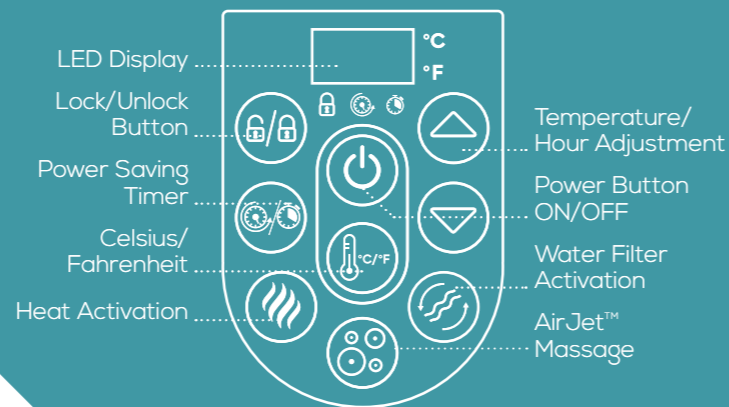


# HELSINKI

60025+60026

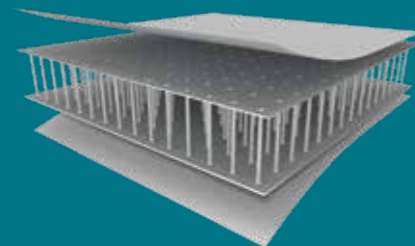


## DIGITAL CONTROL PANEL



## DROP STITCH MATERIAL STRENGTH AND DURABILITY

The inflated walls are made from drop stitch material, providing unparalleled strength and durability. Thousands of fine threads securely connect the sidewalls, which seal in air to keep the spa inflated. This material can support considerable weight while still being light and portable when deflated.



## SPA FEATURES



FREEZE SHIELD™



AIRJET™ MASSAGE SYSTEM



MULTI-FUNCTION PUMP



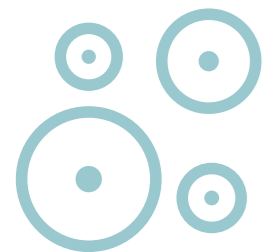
CAPACITY 5-7 PEOPLE

## SPECIFICATIONS

	60025	60026
WATER CAPACITY (80%)	1,123 L (297 gal.)	297 gal. (1,123 L)
INFLATED SIZE	1.80 m x 66 cm (71" x 26")	71 in. x 26 in. (1.80 m x 66 cm)
INNER SIZE	1.70 m (67")	67 in. (1.70 m)
FILLED WEIGHT	1,155 kg (2,548 lbs)	2,548 lbs (1,155 kg)
RATING	220-240V~50Hz, 2050W at 20°C (68°F)	110-120V~ 60Hz, 12A at 68°F (20°C)
ACTUAL WATER FLOW	1,325 L/h (350 gal./h)	320 gal./h (1,211 L/h)
HEATING SYSTEM	Approx. 10-1.5°C/h (2-3°F/h)	Approx. 10-2.0°F/h (0.5-1.0°C/h)
CERTIFICATION	CE/EAC/GS(TUV-RL)	CETL
PACK/GROSS WEIGHT	1 Ea., 39.05 KG (86.09 LBS)	1 Ea., 83.00 LBS (37.65 KG)







# AIRJET PLUS™ SYSTEM

**MASSAGING BUBBLES ARE THE PERFECT WAY TO UNWIND.**

The AirJet Plus system releases bubbles from both the bottom and the sidewalls of the spa to target both the legs and back.

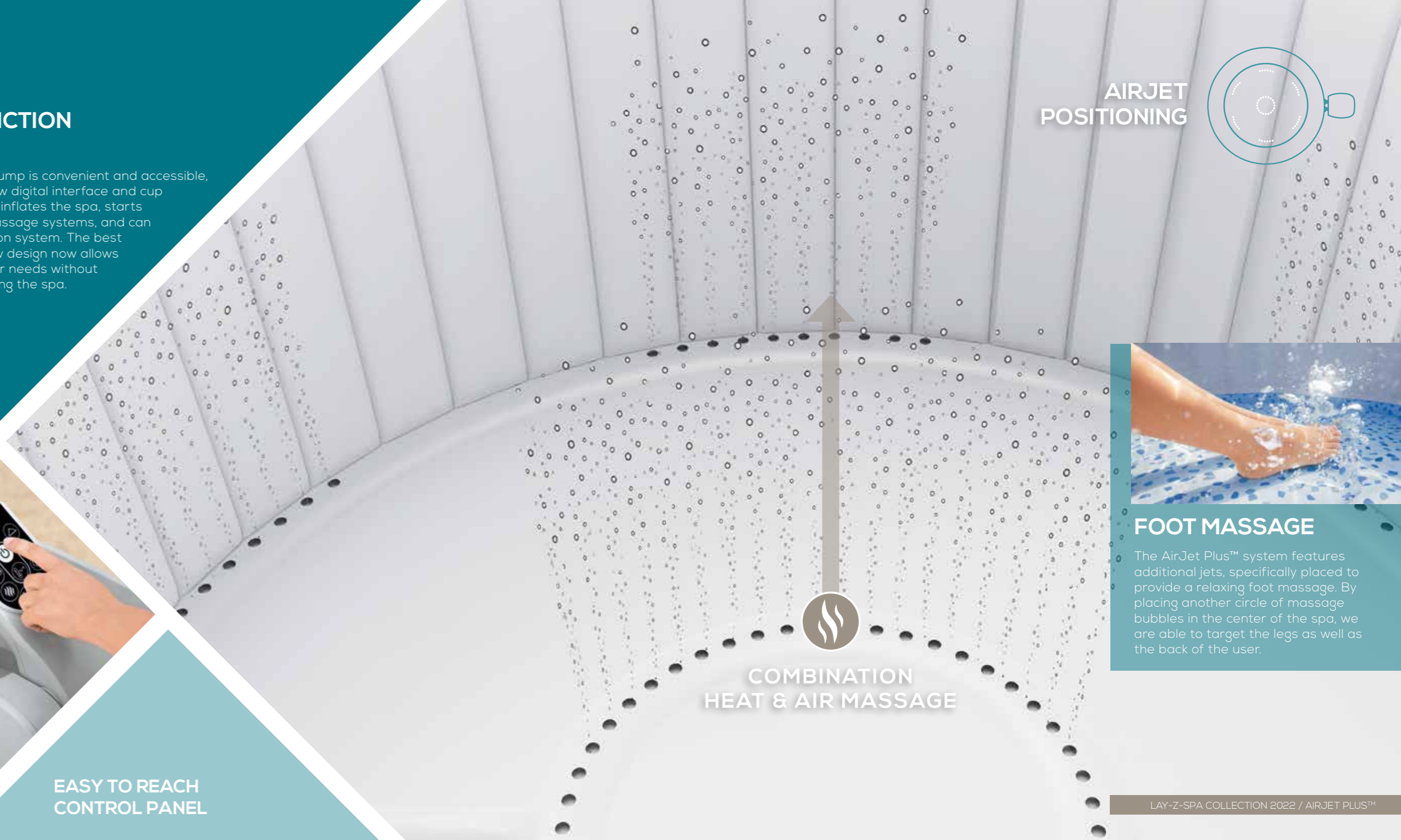


## MULTI-FUNCTION PUMP

The included spa pump is convenient and accessible, complete with a new digital interface and cup holders. This pump inflates the spa, starts the heating and massage systems, and can activate the filtration system. The best part is that the new design now allows users to adjust their needs without standing up or exiting the spa.



**EASY TO REACH CONTROL PANEL**



**AIRJET POSITIONING**



**COMBINATION HEAT & AIR MASSAGE**



## FOOT MASSAGE

The AirJet Plus™ system features additional jets, specifically placed to provide a relaxing foot massage. By placing another circle of massage bubbles in the center of the spa, we are able to target the legs as well as the back of the user.

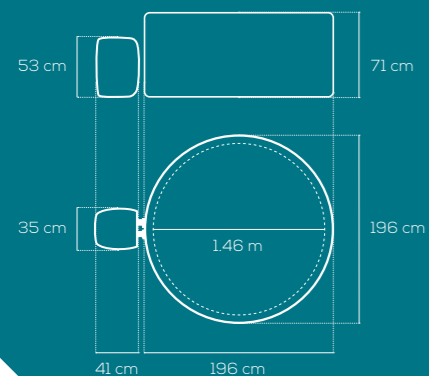


# MILAN

60029+60030

- Soothing AirJet Plus™ targeted bubble massage system (140 jets)
- Massage regulator provides 2 intensity level options
- Ultra-strong DuraPlus™ internal beams and outer walls offer superior structural stability
- Freeze Shield™ automatic heating prevents water from freezing & damaging the spa
- Program the spa heater up to 40 days in advance for future use
- Built-in Wi-Fi module, spa can be controlled through a phone app
- ChemConnect™ dispenser provides a stable level of chlorine throughout the spa
- Power-saving, timer-controlled heating system
- Digital control panel & spa pump with integrated filtration system includes cup holders and is accessible from inside the spa
- Reinforced cover with safety lock clips

Contents: 1 spa, 1 pool cover, 1 spa pump, 1 ChemConnect™ dispenser, filter cartridge (VI), repair kit, AirJet Plus™ system

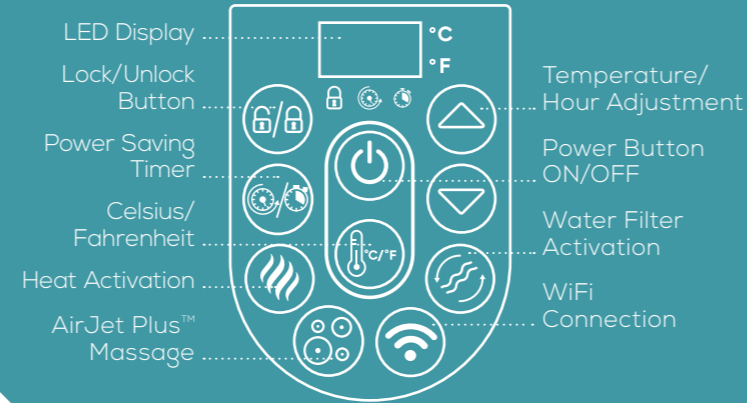


LAY-Z-SPA  
MILAN





### DIGITAL CONTROL PANEL



### DURAPLUS™ WALL AND TOP RING

The outer surface of this spa is constructed with premium DuraPlus™ material, providing superior durability, stretch resistance and structural stability.

### DURAPLUS™ INTERNAL BEAM

The internal beam structure of the spa may also be constructed with DuraPlus™ material, providing extra stretch resistance, which allows the spa to keep its shape no matter how many times it's inflated or deflated.



### SPA FEATURES



FREEZE SHIELD™



AIRJET PLUS™  
MASSAGE SYSTEM



MULTI-FUNCTION PUMP



1x 100% / 2x 50%  
MASSAGE REGULATION  
2 INTENSITY LEVELS



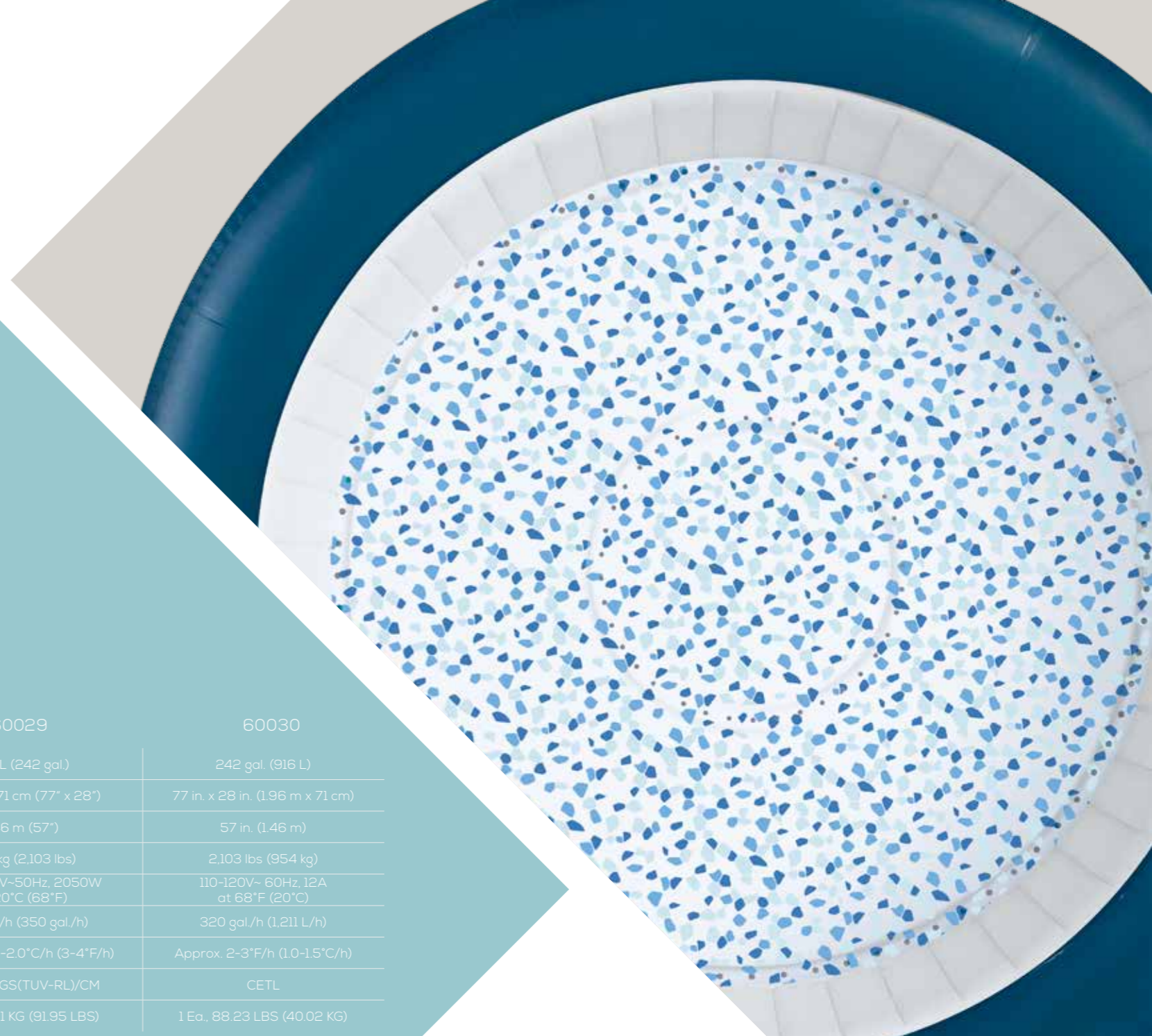
BESTWAY SMART HUB™  
APP



CAPACITY  
4-6 PEOPLE

### SPECIFICATIONS

	60029	60030
WATER CAPACITY (80%)	916 L (242 gal.)	242 gal. (916 L)
INFLATED SIZE	1.96 m x 71 cm (77" x 28")	77 in. x 28 in. (1.96 m x 71 cm)
INNER SIZE	1.46 m (57")	57 in. (1.46 m)
FILLED WEIGHT	954 kg (2,103 lbs)	2,103 lbs (954 kg)
RATING	220-240V~50Hz, 2050W at 20°C (68°F)	110-120V~ 60Hz, 12A at 68°F (20°C)
ACTUAL WATER FLOW	1,325 L/h (350 gal./h)	320 gal./h (1,211 L/h)
HEATING SYSTEM	Approx. 1.5-2.0°C/h (3-4°F/h)	Approx. 2-3°F/h (1.0-1.5°C/h)
CERTIFICATION	CE/EAC/GS(TUV-RL)/CM	CETL
PACK/GROSS WEIGHT	1 Ea., 41.71 KG (91.95 LBS)	1 Ea., 88.23 LBS (40.02 KG)



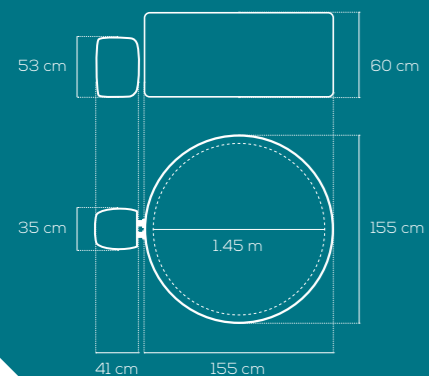


# VANCOUVER

60027+60028

- Soothing AirJet Plus™ targeted bubble massage system (140 jets)
- Massage regulator provides 2 intensity level options
- Walls are made of drop stitch material, providing a strong and durable hard-sided spa
- Freeze Shield™ automatic heating prevents water from freezing & damaging the spa
- Program the spa heater up to 40 days in advance for future use
- Built-in Wi-Fi module, spa can be controlled through a phone app
- ChemConnect™ dispenser provides a stable level of chlorine throughout the spa
- Power-saving, timer-controlled heating system
- Digital control panel & spa pump with integrated filtration system includes cup holders and is accessible from inside the spa
- Reinforced cover with safety lock clips

Contents: 1 spa, 1 pool cover, 1 spa heater, 1 ChemConnect™ dispenser, 1 high pressure hand pump, filter cartridge (VI), repair kit, AirJet Plus™ system



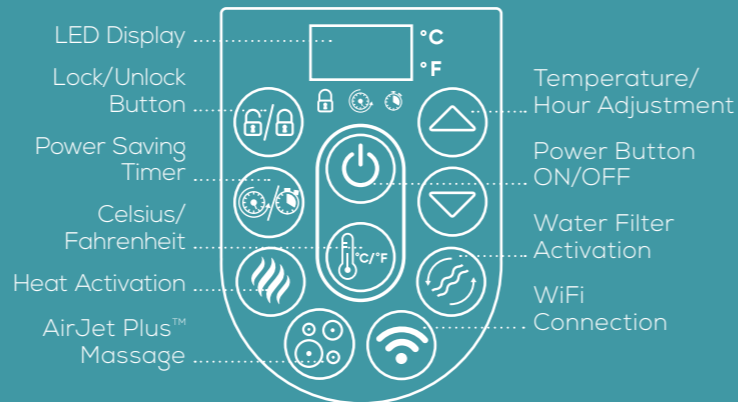


# VANCOUVER

60027+60028

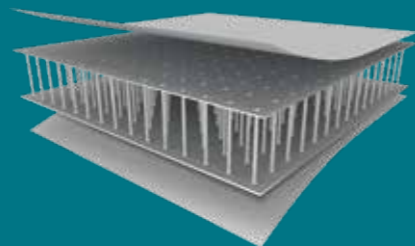


## DIGITAL CONTROL PANEL



## DROP STITCH MATERIAL STRENGTH AND DURABILITY

The inflated walls are made from drop stitch material, providing unparalleled strength and durability. Thousands of fine threads securely connect the sidewalls, which seal in air to keep the spa inflated. This material can support considerable weight while still being light and portable when deflated.



## SPA FEATURES



FREEZE SHIELD™



AIRJET PLUS™ MASSAGE SYSTEM



MULTI-FUNCTION PUMP



1x 100%  
2x 50%  
MASSAGE REGULATION  
2 INTENSITY LEVELS



BESTWAY SMART HUB™ APP



CAPACITY 3-5 PEOPLE

## SPECIFICATIONS

	60027	60028
WATER CAPACITY (80%)	804 L (213 gal.)	213 gal. (804 L)
INFLATED SIZE	1.55 m x 60 cm (61" x 24")	61 in. x 24 in. (1.55 m x 60 cm)
INNER SIZE	1.45 m (57")	57 in. (1.45 m)
FILLED WEIGHT	831 kg (1,833 lbs)	1,833 lbs (831 kg)
RATING	220-240V~50Hz, 2050W at 20°C (68°F)	110-120V~ 60Hz, 12A at 68°F (20°C)
ACTUAL WATER FLOW	1,325 L/h (350 gal./h)	320 gal./h (1,211 L/h)
HEATING SYSTEM	Approx. 1.5-2.0°C/h (3-4°F/h)	Approx. 2-3°F/h (1.0-1.5°C/h)
CERTIFICATION	CE/EAC/GS(TUV-RL)/CM	CETL
PACK/GROSS WEIGHT	1 Ea., 33.70 KG (74.30 LBS)	1 Ea., 69.62 LBS (31.58 KG)







# HYDROJET PRO™ SYSTEM

PERFECT SPA RELAXATION  
AT YOUR FINGERTIPS.

HydroJet Pro is the best of both worlds! Adjustable nozzles that release water bubbles combined with AirJets along the bottom provide the ultimate hydrotherapy massage.



## MULTI-FUNCTION PUMP

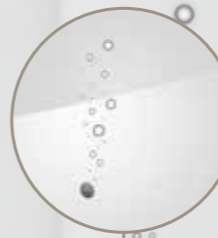
The included spa pump is convenient and accessible, complete with a new digital interface and cup holders. This pump inflates the spa, starts the heating and massage systems, and can activate the filtration system. The best part is that the new design now allows users to adjust their needs without standing up or exiting the spa.



EASY TO REACH  
CONTROL PANEL

## AIRJETS

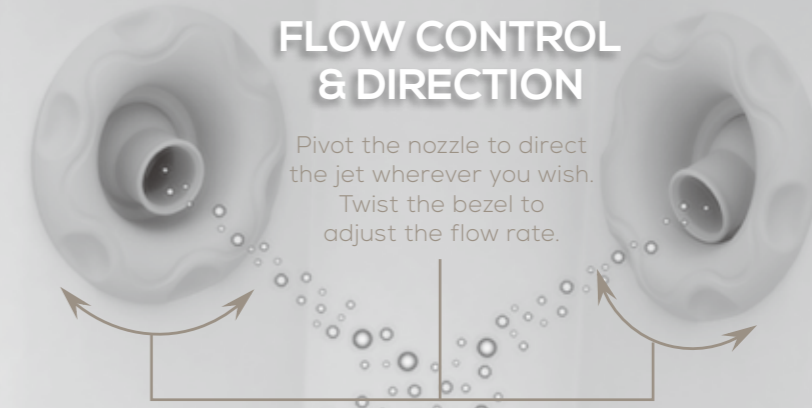
Openings encircle the perimeter of the spa floor to produce relaxing bubbles.



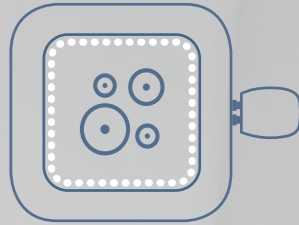
COMBINATION  
HEAT & AIR MASSAGE

## FLOW CONTROL & DIRECTION

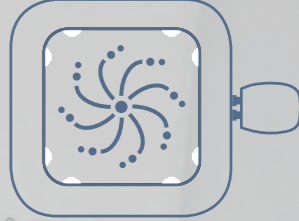
Pivot the nozzle to direct the jet wherever you wish.  
Twist the bezel to adjust the flow rate.



## AIRJET POSITIONING



## HYDROJET POSITIONING



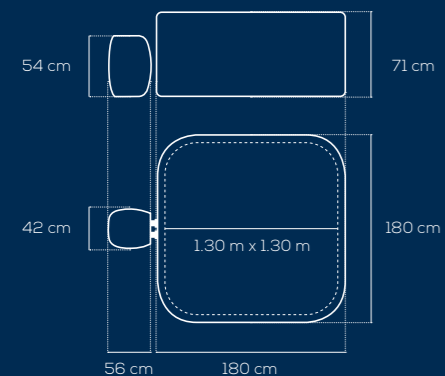


# HAWAII

60031+60032

- Hydrodynamic water jetstream and air bubble massage system (8 jetstream nozzles and 140 jets)
- Ultra-strong DuraPlus™ internal beams and outer walls offer superior structural stability
- Freeze Shield™ automatic heating prevents water from freezing & damaging the spa
- Program the spa heater up to 40 days in advance for future use
- ChemConnect™ dispenser provides a stable level of chlorine throughout the spa
- Power-saving, timer-controlled heating system
- Digital control panel & spa pump with integrated filtration system includes cup holders and is accessible from inside the spa
- Reinforced cover with safety lock clips

Contents: 1 spa, 1 pool cover, 1 spa pump, 1 ChemConnect™ dispenser, filter cartridge (VI), repair kit, HydroJet Pro™ system



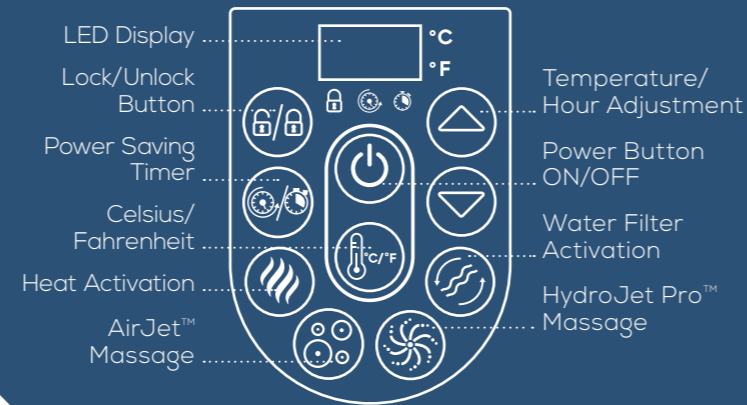


# HAWAII

60031+60032



## DIGITAL CONTROL PANEL



### DURAPLUS™ WALL AND TOP RING

The outer surface of this spa is constructed with premium DuraPlus™ material, providing superior durability, stretch resistance and structural stability.

### DURAPLUS™ INTERNAL BEAM

The internal beam structure of the spa may also be constructed with DuraPlus™ material, providing extra stretch resistance, which allows the spa to keep its shape no matter how many times it's inflated or deflated.



## SPA FEATURES



FREEZE SHIELD™



HYDROJET PRO™  
MASSAGE SYSTEM



MULTI-FUNCTION  
PUMP



CAPACITY  
4-6 PEOPLE

## SPECIFICATIONS

	60031	60032
<b>WATER CAPACITY (70%)</b>	795 L (210 gal.)	210 gal. (795 L)
<b>INFLATED SIZE</b>	1.80 m x 1.80 m x 71 cm (71" x 71" x 28")	71 in. x 71 in. x 28 in. (1.80 m x 1.80 m x 71 cm)
<b>INNER SIZE</b>	1.30 m x 1.30 m (51" x 51")	51 in. x 51 in. (1.30 m x 1.30 m)
<b>FILLED WEIGHT</b>	848 kg (1,869 lbs)	1,869 lbs (848 kg)
<b>RATING</b>	220-240V-50Hz, 2050W at 20°C (68°F)	110-120V~ 60Hz, 12A at 68°F (20°C)
<b>ACTUAL WATER FLOW</b>	1,325 L/h (350 gal./h)	320 gal./h (1,211 L/h)
<b>HEATING SYSTEM</b>	Approx. 1.5-2.0°C/h (3-4°F/h)	Approx. 2-3°F/h (1.0-1.5°C/h)
<b>CERTIFICATION</b>	CE/EAC/CM	CETL
<b>PACK/GROSS WEIGHT</b>	1 Ea., 66.22 KG (145.99 LBS)	1 Ea., 143.85 LBS (65.25 KG)





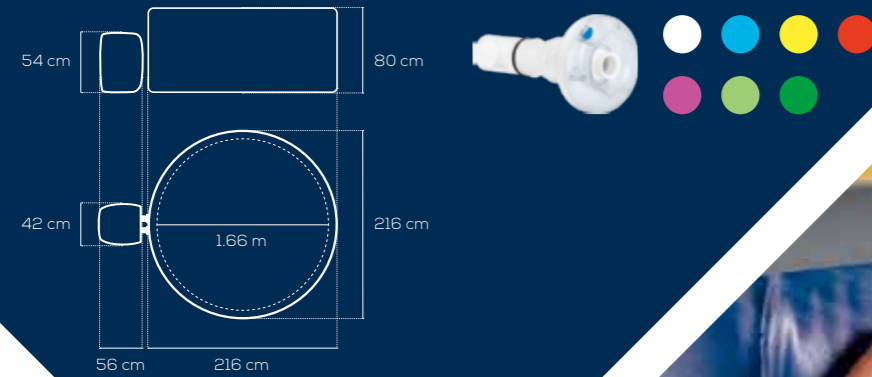
NEW

# SANTORINI

60075+60076

- Hydrodynamic water jetstream and air bubble massage system (10 jetstream nozzles and 180 jets)
- Ultra-strong DuraPlus™ internal beams and outer walls offer superior structural stability
- Freeze Shield™ automatic heating prevents water from freezing & damaging the spa
- Program the spa heater up to 40 days in advance for future use
- ChemConnect™ dispenser provides a stable level of chlorine throughout the spa
- ColorJet LED lights alternate between 7 different colors
- Power-saving, timer-controlled heating system
- Digital control panel & spa pump with integrated filtration system includes cup holders and is accessible from inside the spa
- Reinforced cover with safety lock clips
- Inflatable seat and padded pillows provide an ultra-comfortable experience

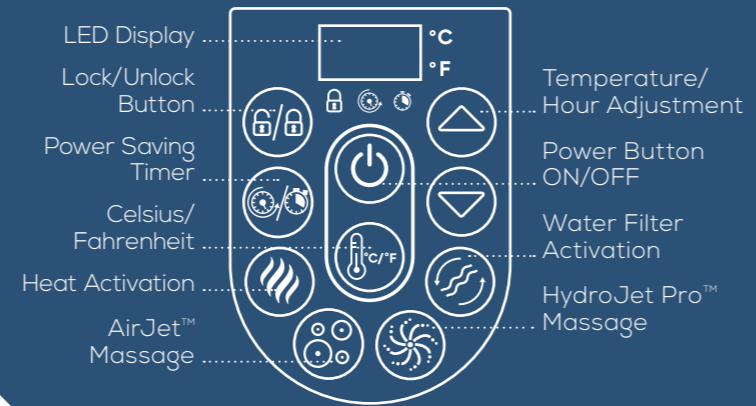
Contents: 1 spa, 1 pool cover, 1 spa pump, 1 ChemConnect™ dispenser, 5 pillows, 2 water powered LED lights, filter cartridge (VI), repair kit, HydroJet Pro™ system







### DIGITAL CONTROL PANEL



### DURAPLUS™ WALL AND TOP RING

The outer surface of this spa is constructed with premium DuraPlus™ material, providing superior durability, stretch resistance and structural stability.

### DURAPLUS™ INTERNAL BEAM

The internal beam structure of the spa may also be constructed with DuraPlus™ material, providing extra stretch resistance, which allows the spa to keep its shape no matter how many times it's inflated or deflated.



### SPA FEATURES

- FREEZE SHIELD™
- HYDROJET PRO™ MASSAGE SYSTEM
- MULTI-FUNCTION PUMP
- CAPACITY 5-7 PEOPLE
- PADDED PILLOWS
- COLORJET LED LIGHTS
- INTEGRATED SEATS

### SPECIFICATIONS

	60075	60076
<b>WATER CAPACITY (70%)</b>	1,190 L (314 gal.)	314 gal. (1,190 L)
<b>INFLATED SIZE</b>	2.16 m x 80 cm (85" x 31.5")	85 in. x 31.5 in. (2.16 m x 80 cm)
<b>INNER SIZE</b>	1.66 m (65")	65 in. (1.66 m)
<b>FILLED WEIGHT</b>	1253 kg (2,762 lbs)	2,762 lbs (1253 kg)
<b>RATING</b>	220-240V~50Hz, 2050W at 20°C (68°F)	110-120V~ 60Hz, 12A at 68°F (20°C)
<b>ACTUAL WATER FLOW</b>	1,325 L/h (350 gal./h)	320 gal./h (1,211 L/h)
<b>HEATING SYSTEM</b>	Approx. 1.0-1.5°C/h (2-3°F/h)	Approx. 1-2°F/h (0.5-1.0°C/h)
<b>CERTIFICATION</b>	CE/EAC/CM	CETL
<b>PACK/GROSS WEIGHT</b>	1 Ea., 77.06 KG (169.89 LBS)	1 Ea., 167.73 LBS (76.08 KG)



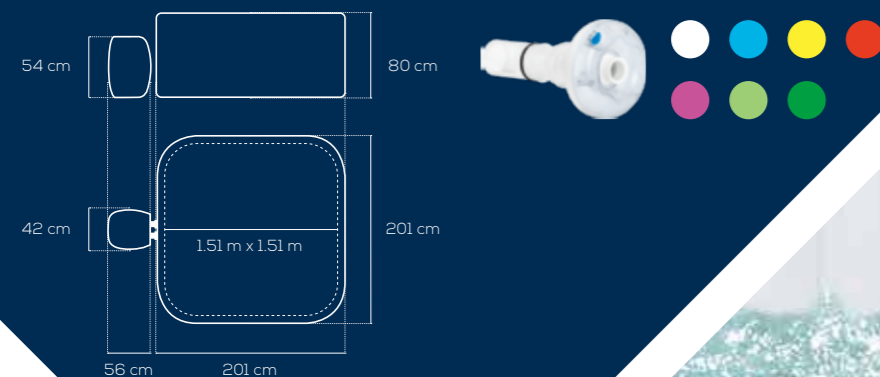


# MALDIVES

60033+60034

- Hydrodynamic water jetstream and air bubble massage system (8 jetstream nozzles and 180 jets)
- Ultra-strong DuraPlus™ internal beams and outer walls offer superior structural stability
- Freeze Shield™ automatic heating prevents water from freezing & damaging the spa
- Program the spa heater up to 40 days in advance for future use
- ChemConnect™ dispenser provides a stable level of chlorine throughout the spa
- ColorJet LED lights alternate between 7 different colors
- Power-saving, timer-controlled heating system
- Digital control panel & spa pump with integrated filtration system includes cup holders and is accessible from inside the spa
- Reinforced cover with safety lock clips
- Inflatable seat and lounge provide an ultra-comfortable experience

Contents: 1 spa, 1 pool cover, 1 spa pump, 1 ChemConnect™ dispenser, filter cartridge (VI), 2 water powered LED lights, repair kit, HydroJet Pro™ system



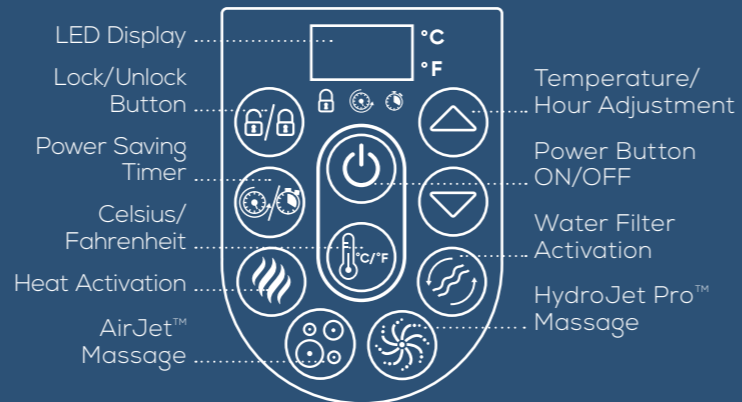


# MALDIVES

60033+60034



## DIGITAL CONTROL PANEL



### DURAPLUS™ WALL AND TOP RING

The outer surface of this spa is constructed with premium DuraPlus™ material, providing superior durability, stretch resistance and structural stability.

### DURAPLUS™ INTERNAL BEAM

The internal beam structure of the spa may also be constructed with DuraPlus™ material, providing extra stretch resistance, which allows the spa to keep its shape no matter how many times it's inflated or deflated.



## SPA FEATURES



FREEZE SHIELD™



HYDROJET PRO™  
MASSAGE SYSTEM



MULTI-FUNCTION  
PUMP



CAPACITY  
5-7 PEOPLE



COLORJET  
LED LIGHTS



INTEGRATED  
SEATS

## SPECIFICATIONS

	60033	60034
<b>WATER CAPACITY (70%)</b>	1,050 L (277 gal.)	277 gal. (1,050 L)
<b>INFLATED SIZE</b>	2.01 m x 2.01 m x 80 cm (79" x 79" x 31.5")	79 in. x 79 in. x 31.5 in. (2.01 m x 2.01 m x 80 cm)
<b>INNER SIZE</b>	1.51 m x 1.51 m (59" x 59")	59 in. x 59 in. (1.51 m x 1.51 m)
<b>FILLED WEIGHT</b>	1,118 kg (2,465 lbs)	2,465 lbs (1,118 kg)
<b>RATING</b>	220-240V~50Hz, 2050W at 20°C (68°F)	110-120V~ 60Hz, 12A at 68°F (20°C)
<b>ACTUAL WATER FLOW</b>	1,325 L/h (350 gal./h)	320 gal./h (1,211 L/h)
<b>HEATING SYSTEM</b>	Approx. 1.0-1.5°C/h (2-3°F/h)	Approx. 1-2°F/h (0.5-1.0°C/h)
<b>CERTIFICATION</b>	CE/EAC/CM	CETL
<b>PACK/GROSS WEIGHT</b>	1 Ea., 82.34 KG (181.53 LBS)	1 Ea., 176.35 LBS (79.99 KG)









# XTRAS

ACCESSORIES  
TO COMPLIMENT  
YOUR SPA.

For easy maintenance and added comfort for your spa, Bestway® has a range of accessory options to choose from. Accessorize to maximize your comfort and cleanliness of your spa.





# RECHARGEABLE UNDERWATER VACUUM

60313

- Rechargeable battery-powered pump creates suction, without the use of hoses or electrical cords
- Consistent performance for 50 minutes
- Simple press-button operation
- Ideal for spas and small pools
- Pivoting suction head with wheels and brushes
- Debris is collected in an easy-to-access and easy-to-empty stainless steel filter
- Full color box
- 4 Ea., 5.00 kg (11.02 lbs)

Contents: 1 vacuum, 1 USB charging cable

**TWO-SECTION POLE**  
with total reach of approximately 1.50 m (5')



**RECHARGEABLE**  
Plug, charge, and clean!



**TRANSPARENT BODY**  
shows debris level



**PIVOTING SUCTION HEAD**







## CANOPY

60304

- 1.83 m x 94 cm x 1.09 m / 6' x 37" x 43"
- Fabric with UV protection
- Fits all Bestway Spas (except St. Lucia and Vancouver)
- High density, ventilated mesh windows
- Two removable guy lines to provide stability
- Full color box
- 3 Ea. 4.09 kg (9.02 lbs)

Contents: 1 tent, 3 poles, 2 guy lines, 1 storage bag



## DOME

60305

- 3.90 m x 3.90 m x 2.55 m / 12'9" x 12'9" x 8'4"
- Fabric with UV protection
- Fits all Bestway spas
- 4 large inside pockets to store personal items
- 4 detachable fabric and mesh doors, suitable for both winter and summer
- Suitable as a gazebo for use in the garden or backyard
- Can be used for pools up to 3.66 m (12") diameter
- Setup time: 15 min.
- Full color box
- 2 Ea., 34.36 kg (75.75 lbs)

Contents: 1 tent, 4 detachable fabric doors, 4 detachable mesh doors, carry bag





**7-COLOR LED LIGHT | 60303**

- Uses 3 AAA batteries (not included)
- LED light alternates between 7 colors
- 2 hours of run time with auto-shutoff feature
- One-touch operation: simply press top button
- Full color box

• 6 Ea., 0.98 kg (2.16 lbs)

Contents: 1 Seven-Color LED Light



**DRINK HOLDER | 60306**

- Keep beverages or snacks close by while you relax
- Position anywhere on the top of spa sidewall
- Compatible with all Lay-Z-Spas (except Monaco & Helsinki & Vancouver)

• Full color box

• 12 Ea., 8.95 kg (19.73 lbs)

Contents: 2 drink holders, 1 tray



**PILLOW | 60307**

- Soft pillow provides head and neck support
- Organic PU foam is 100% waterproof and resistant to chemicals and odors
- Compatible with all Lay-Z-Spas (except Helsinki and Vancouver)

• Easy to clean

• Full color box

• 4 Ea., 3.96 kg (8.73 lbs)

Contents: 2 pillows



**NEW**

**PADDED PILLOW | 60316**

- Soft pillow provides head and neck support
- Adjustable strap drapes over the side of the spa, using the balance weight to keep it in place
- Compatible with all Lay-Z-Spas
- Comfortable sponge pillow is covered with washable mesh fabric

• Full color box

• 12 Ea., 4.16 kg (9.17 lbs)

Contents: 2 pillows





## ALL IN ONE TOOL SET | 60310

Scoop:

- Bumper protects spa surface
- Round shaped design fits the contours of the spa interior
- Deep net to collect debris
- Handheld or connects to standard telescopic pole

Brush:

- Bumper and nylon bristles protect spa's surface
- Handheld or connects to standard telescopic pole

Scrubbing Mitt:

- Scrub along spa water line
- Latex glove bonded with scrubber pad

- Full color box
- 8 Ea., 7.3 kg (16.09 lbs)

Contents: 1 scoop,  
1 brush, 1 scrubbing mitt



## FLOOR PROTECTOR | 60309

- 2.16 m x 2.16 m / 85" x 85"
- Square protector 40 cm x 50 cm (15.5" x 19.5") mat for spa heater
- Durable polyethylene material that provides protection for your spa
- Compatible with all Bestway Spas smaller than 2.16 m (85")
- Package contains 10 pieces (9 attachable, 1 individual)
- Shrink wrapped with insert card
- 4 Ea., 10.48 kg (23.10 lbs)

Contents: 1 Floor Protector Set



## TEST STRIPS | 58142

- 3-in-1 Test Strip:
- Free Chlorine | pH | Total Alkalinity
- Measures Free Chlorine 0 to 10 ppm, Alkalinity 0 to 240 ppm and pH 6.2 to 8.4 with instant results
- 18-Month Shelf Life
- Blister card
- 24 Ea., 1.20 kg (2.65 lbs)

Contents: 50 test strips



## FILTER CARTRIDGE (VI) | 60311

- 10.6 cm x 8.0 cm / 4.2" x 3.1"
- Easy to clean
- Shrink wrapped with insert card
- 12 Sets., 2.79 kg (6.15 lbs)

Contents: 2 filter cartridges



# TECHNICAL FEATURES

## ACCESSORY COMPATIBILITY

	SPA	STURDY BEAM	STURDY Y-BEAM	DROP STITCH	POWER SAVING TIMER	WATER FILTER ACTIVATION	HEATING SYSTEM	LED LIGHTS	APP REMOTE CONTROL
AIRJET	ST. LUCIA 60037-60038		•		•	•	•		
	MIAMI 60001-60002		•		•	•	•		
	BAHAMAS 60005-60006		•		•	•	•		
	FIJI 60085-60086		•		•	•	•		
	TAHITI 60007-60008		•		•	•	•	•	
	MADRID 60055-60056		•		•	•	•		•
	IBIZA 60015-60016		•		•	•	•		
	HOLLYWOOD 60059-60060		•		•	•	•	•	
	ZURICH 60065-60066		•		•	•	•		
	HONOLULU 60019-60020			•		•	•		
AIRJETPLUS	HAWAII 60021-60022			•	•	•	•		
	ST. MORITZ 60023-60024			•	•	•	•		
	HELSINKI 60025-60026			•	•	•	•		
HYDROJETPRO	MILAN 60029-60030			•	•	•	•		•
	VANCOUVER 60027-60028			•	•	•	•		•
HYDROJETPRO	HAWAII 60031-60032			•	•	•	•		
	SANTORINI 60075-60076			•	•	•	•	•	
	MALDIVES 60033-60034			•	•	•	•	•	

	RECHARGEABLE UNDERWATER VACUUM   60313	CANOPY 60304	DOVE 60305	7-COLOR LED LIGHT 60303	DRINK HOLDER 60306	PILLOW 60307	PADDED PILLOW 60316	ALL IN ONE TOOL SET 60310	TEST STRIPS 58142	FLOOR PROTECTOR 60309	FILTER CARTRIDGE 60311
	•		•	•	•	•	•	•	•	•	•
	•	•	•	•	•	•	•	•	•	•	•
	•	•	•	•	•	•	•	•	•	•	•
	•	•	•	•	•	•	•	•	•	•	•
	•	•	•	•	•	•	•	•	•	•	•
	•	•	•	•	•	•	•	•	•	•	•
	•	•	•	•	•	•	•	•	•	•	•
	•	•	•	•	•	•	•	•	•	•	•
	•	•	•	•	•	•	•	•	•	•	•
	•	•	•	•	•	•	•	•	•	•	•
	•	•	•	•	•	•	•	•	•	•	•
	•	•	•	•	•	•	•	•	•	•	•
	•	•	•	•	•	•	•	•	•	•	•
	•	•	•	•	•	•	•	•	•	•	•
	•	•	•	•	•	•	•	•	•	•	•





## EASY SETUP



1

INFLATE YOUR LAY-Z-SPA WITH THE PUMP



2

CONNECT THE PUMP UNIT TO THE SPA



3

FILL THE LAY-Z-SPA & ENJOY!



# SETUP & MAINTENANCE

WITH THE NECESSARY TOOLS ALREADY INCLUDED, LAY-Z-SPA SETUP IS QUICK AND EASY!

After finding a flat area to place the spa, it's as easy as 1, 2, 3!

1. Inflate the spa with the multi-function pump.
2. Connect the pump to the spa, and ensure that all of the tubes are attached to the correct openings.
3. Fill the spa with water to the indicated level, and enjoy!

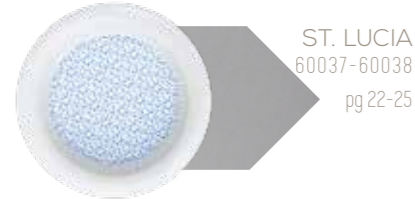
Also included with each spa is a chemical dispenser and filter cartridge to keep the water sparkling. Maintaining clean and healthy pool water is not just important for the user's experience, but it also extends the longevity of the spa.

Thanks to a new function available on all spas, the pump can also quickly and conveniently deflate the spa for transport or storage.



# INDEX

## AIRJET™



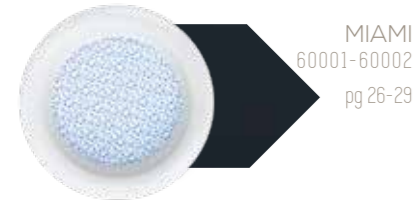
ST. LUCIA  
60037-60038  
pg 22-25



MADRID  
60055-60056  
pg 42-45



HAWAII  
60021-60022  
pg 62-65



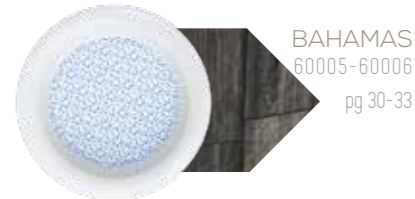
MIAMI  
60001-60002  
pg 26-29



IBIZA  
60015-60016  
pg 46-49



ST. MORITZ  
60023-60024  
pg 66-69



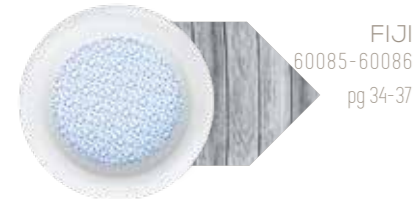
BAHAMAS  
60005-60006  
pg 30-33



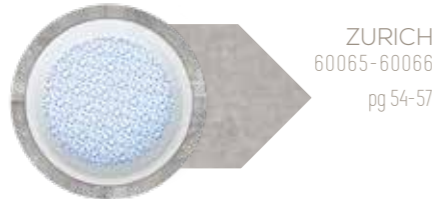
HOLLYWOOD  
60059-60060  
pg 50-53



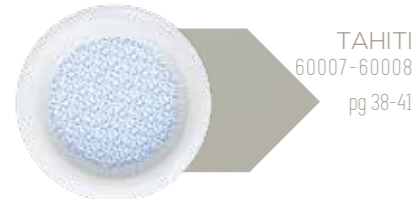
HELSINKI  
60025-60026  
pg 70-73



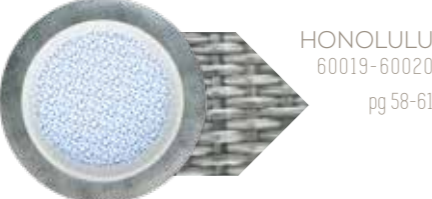
FIJI  
60085-60086  
pg 34-37



ZURICH  
60065-60066  
pg 54-57

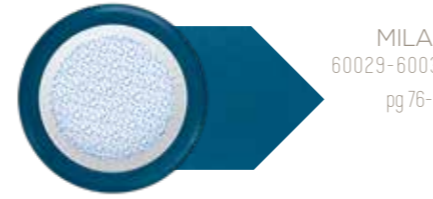


TAHITI  
60007-60008  
pg 38-41



HONOLULU  
60019-60020  
pg 58-61

## AIRJET PLUS™



MILAN  
60029-60030  
pg 76-79

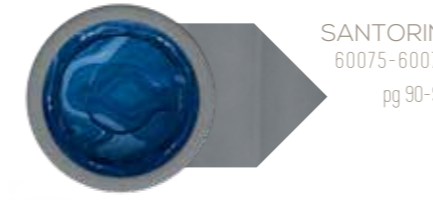


VANCOUVER  
60027-60028  
pg 80-83

## HYDROJET PRO™



HAWAII  
60031-60032  
pg 86-89



SANTORINI  
60075-60076  
pg 90-93



MALDIVES  
60033-60034  
pg 94-97

## XTRAS™

RECHARGEABLE  
UNDERWATER VACUUM  
60313 | pg 102



CANOPY  
60304 | pg 104



DOME  
60305 | pg 105



7-COLOR LED LIGHT  
60303 | pg 106



DRINK HOLDER  
60306 | pg 106



PILLOW  
60307 | pg 107



PADDED PILLOW  
60316 | pg 107



ALL IN ONE  
TOOL SET  
60310 | pg 108



TEST STRIPS  
58142 | pg 108



FLOOR PROTECTOR  
60309 | pg 109



FILTER CARTRIDGE (VI)  
60311 | pg 109

