

Bestway

SPECIAL EDITION

COLLECTION 2023



Bestway

2023 CATALOG COLLECTION

Enjoy our extensive collection of products in our six catalogs.

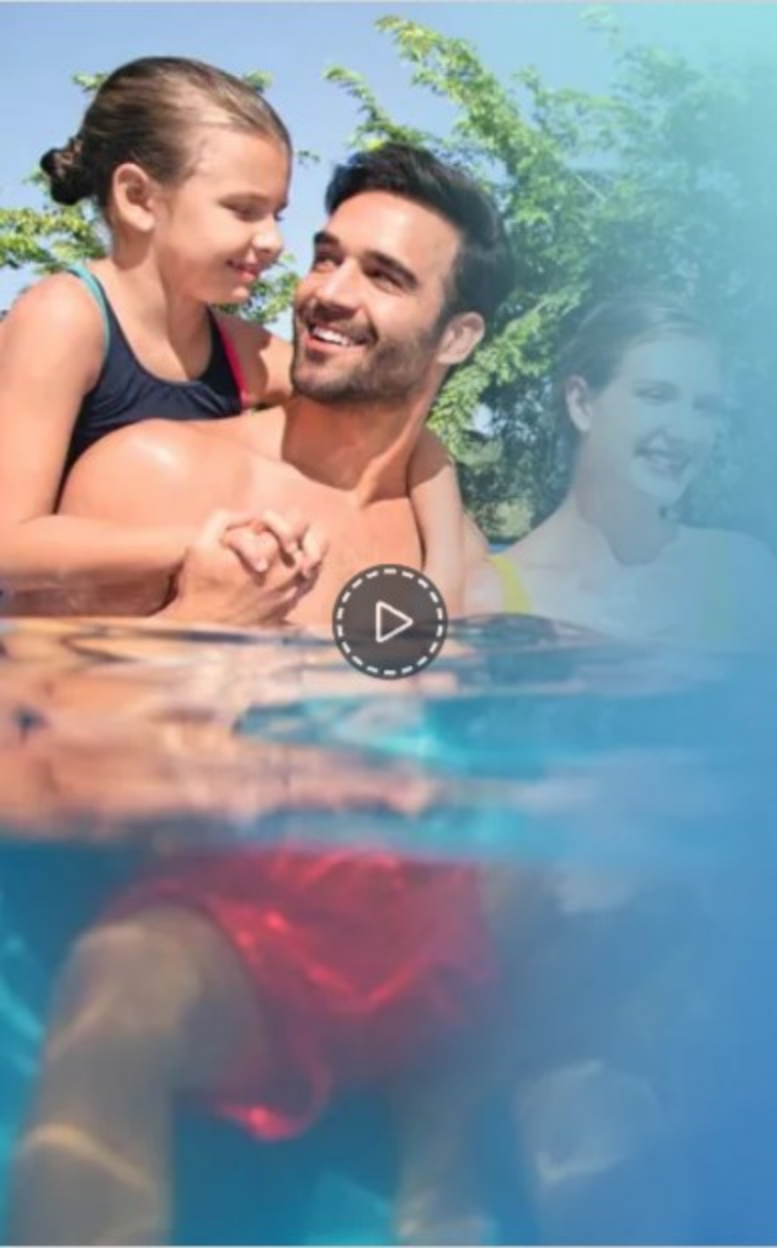
- Above Ground Pools
- Air Mattresses
- Spa
- Summer & License
- Watersports
- Camping Gear*
Only available for 2023.

Digital Catalogs

Easily access all of our catalogs while on the go. Ask your Sales Rep for the link to our catalog website, and Bestway® products can be right at your fingertips!

- View the latest catalogs
- Quickly flip through and find any product
- Check out product details, photos and even videos





VISION & MISSION

Since 1994, our vision has been to create fun, memorable experiences for everyone in the world through our innovative, dependable products.

Now, just over 25 years later, Bestway has forged a global presence in more than 100 countries by developing an extensive product line and becoming forward thinkers about sustainable business practices. Today, we manufacture and sell more than 1,100 different products within four core categories: above ground pools and portable spas, recreational products, sporting goods, and camping products.

SERVICE

Bestway is committed to customer satisfaction and providing you with the best product solutions. That's why every department in Bestway works closely together - from our technology and quality assurance centers to our laboratories, vertically integrated manufacturing systems and after-sales service centers around the globe.

Bestway's advanced online services and regional call centers allow customers to easily resolve issues that arise with their products, offering downloadable manuals, instructional videos, and 24/7 call support.



GLOBAL FACTORIES



JIANGSU



YANCHENG



HAIAN



NANTONG



SHANGHAI



VIETNAM

AROUND THE WORLD



CHANDLER, U.S.A.
R&D • SUBSIDIARY



SANTIAGO, CHILE
SUBSIDIARY



SAN PAULO, BRAZIL
SUBSIDIARY



HAMBURG, GERMANY
SUBSIDIARY



NICE, FRANCE
SUBSIDIARY



MILAN, ITALY
R&D • SUBSIDIARY



COPENHAGEN, DENMARK
SUBSIDIARY



WARSAW, POLAND
SUBSIDIARY



DUBAI, U.A.E.
SUBSIDIARY



MOSCOW, RUSSIA
SUBSIDIARY



HONG KONG, CHINA
R&D • SUBSIDIARY



SHANGHAI, CHINA
HQ • PRODUCTION



SYDNEY, AUSTRALIA
SUBSIDIARY

Contents

08

AGP

Bestway Above Ground Pools

60

LAY-Z-SPA®

First Premium Inflatable Spas

130

HYDRO-FORCE™ KAYAKS

Inflatable Kayaks

46

AGP ACCESSORIES

Bestway Pool Accessories

122

HYDRO-FORCE™ BOARDS

Inflatable Stand-Up Paddleboards

138

SUMMER

Inflatable Leisure Products

Dear Customer,

We are excited to present our Special Edition Catalog again for the 2023 season!

This collection of items cannot be found in our standard catalogs, and it is only offered to selected partners.

All of these items are designed to offer you something extra, such as new price points, larger assortments of sizes and designs, and exclusive sets.

These products provide the following benefits:

- A broader, more innovative range
- A guaranteed return on investment for your advertising efforts
- The ability to set your own prices due to product differentiation
- An offering of alternative products at attractive prices

These items will be subject to special conditions. If you are interested in the items that you see here, please contact the Bestway team or your Sales Rep for more information.

We look forward to making this the best sales season yet!

The
Bestway
Team



ABOVE GROUND POOLS

When people think of Bestway® pools, they think of summer memories, good quality and reliability. We are always enhancing our overall line to improve durability and longevity. This line encompasses the best and most innovative pools selected for your market.

10 Fast Set™ Pools

14 Steel Pro™ Round Pools

22 Steel Pro MAX™ Pools

34 Power Steel™ Pools

42 Power Steel™ Swim Vista Series™ II Pools


FAST SET™

Fast and simple to assemble!

Just select a level surface, inflate the top ring, fill the pool with water and you'll be splashing around in no time! No tools required for a Bestway® Fast Set Pool!



PRODUCT MATRIX - POOL RANGE

	1.83 m x 51 cm - 6' x 20"	Fast Set® Pool	Refer to International Catalog
	2.44 m x 61 cm - 8' x 24"	Fast Set® Pool	Refer to International Catalog
	3.05 m x 66 cm - 10' x 26"	Fast Set® Pool	Refer to International Catalog
	3.05 m x 76 cm - 10' x 30"	Fast Set® Pool	PG. 12
	3.66 m x 76 cm - 12' x 30"	Fast Set® Pool	Refer to International Catalog
	3.66 m x 76 cm - 12' x 30"	Fast Set® Pool	Refer to International Catalog
	3.96 m x 84 cm - 13' x 33"	Fast Set® Pool	Refer to International Catalog
	4.57 m x 84 cm - 15' x 33"	Fast Set® Pool	Refer to International Catalog
	4.57 m x 1.07 m - 15' x 42"	Fast Set® Pool	Refer to International Catalog
	4.57 m x 1.22 m - 15' x 48"	Fast Set® Pool	PG. 12

TECHNOLOGY HIGHLIGHTS - PRODUCT DESIGN

DuraPlus™

3-layer puncture resistant liner material



Self-Supporting

Inflatable top ring



1-2-3 Setup

Easy to assemble



Fast Set™ Pools

ABOVE GROUND POOLS



10 ft. x 30 in.



15 ft. x 48 in.

Water Capacity (80%): 1,004 gal. (3,800 L)

10 ft. x 30 in. / 3.05 m x 76 cm

ITEM	REGION	PACK	LBS (KG)	FILTER PUMP	VOLTAGE	CARTRIDGE
57307	North America	1	18.2 (8.2)			
57307	Oceania	1	18.2 (8.2)			
57266	Europe	1	18.2 (8.2)			
57269	Oceania	1	23.0 (10.4)	58381 (330 gal. / 1,249 L)	220-240V	58093, TYPE: I
57270	Europe	1	23.8 (10.8)	58381 (330 gal. / 1,249 L)	220-240V	58093, TYPE: I
57270	Asia, Africa & Latin America	1	22.1 (10.0)	58381 (330 gal. / 1,249 L)	220-240V	58093, TYPE: I
57269	Asia, Africa & Latin America	1	23.6 (10.7)	58511 (330 gal. / 1,249 L)	110-120V	58093, TYPE: I

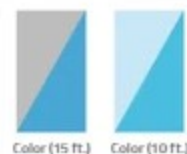
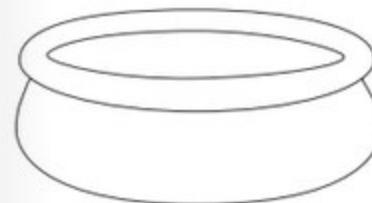
Water Capacity (80%): 3,648 gal. (13,807 L)

15 ft. x 48 in. / 4.57 m x 1.22 m

ITEM	REGION	PACK	LBS (KG)	FILTER PUMP	VOLTAGE	CARTRIDGE	LADDER
57289	Europe	1	99.6 (45.2)	58386 (800 gal. / 3,028 L)	220-240V	58094, TYPE: II	58331
57289	Asia, Africa & Latin America	1	93.1 (42.2)	58386 (800 gal. / 3,028 L)	220-240V	58094, TYPE: II	58336

Features & Technologies

Build



Color (15 ft.)

Color (10 ft.)



Bottom



DuraPlus[™] Construction

convenience



Drain Valve



Super compact
Easy to transport



No Tools
Required



Easy to store



Packaging:
10 ft. x 30 in. – Full Color Box
15 ft. x 48 in. – Sturdy Cardboard
Box with Pictures

STEEL PRO™ ROUND

Easy to assemble and very affordable, with a strong, steel frame.

You get a lot of pool for your money with a Bestway® Steel Pro Pool.



PRODUCT MATRIX - POOL RANGE

	2.74 m x 66 cm 9' x 26"	Steel Pro™ Round Pool	PG. 16
	3.05 m x 66 cm 10' x 26"	Steel Pro™ Round Pool	PG. 18
	3.05 m x 76 cm 10' x 30"	Steel Pro™ Round Pool	PG. 20
	3.66 m x 76 cm 12' x 30"	Steel Pro™ Round Pool	PG. 20
	3.96 m x 84 cm 13' x 33"	Steel Pro™ Round Pool	PG. 20

TECHNOLOGY HIGHLIGHTS - PRODUCT DESIGN

FrameLink System™
Corrosion prevention



DuraPlus™
3-layer puncture resistant liner material



Steel Pro™ Round Pools

ABOVE GROUND POOLS



Water Capacity (90%): 851 gal. (3,221 L)

9 ft. x 26 in. / 2.74 m x 66 cm

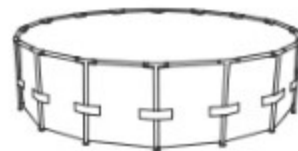
ITEM	REGION	PACK	LBS (KG)
5612G	Oceania	1	31.2 (14.1)
5612F	Europe	1	31.0 (14.1)

Features & Technologies

FrameLink System™



Build



Pattern



Bottom



Hardware



DuraPlus™ Construction

convenience



Drain Valve



Super compact
Easy to transport



No Tools
Required



Easy to store



Packaging:
Full Color Box

Steel Pro™ Round Pools

ABOVE GROUND POOLS



Water Capacity (90%): 1,073 gal. (4,062 L)

10 ft. x 26 in. / 3.05 m x 66 cm

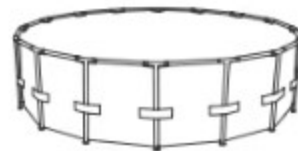
ITEM	REGION	PACK	LBS (KG)
56986	North America	1	35.0 (15.9)
56986	Oceania	1	35.0 (15.9)
56985	Europe	1	34.9 (15.8)

Features & Technologies

FrameLink System™



Build



Pattern



Bottom



Hardware



convenience



Drain Valve



Super compact
Easy to transport



No Tools
Required



Easy
to store

DuraPlus™
Construction



Packaging:
Full Color Box

Steel Pro™ Round Pools

ABOVE GROUND POOLS



Features & Technologies



Convenience



Build



Packaging

Packaging:
Full Color Box



Water Capacity (90%): 1,236 gal. (4,678 L) **New Design** 10 ft. x 30 in. / 3.05 m x 76 cm

ITEM	REGION	PACK	LBS (KG)	FILTER PUMP	VOLTAGE	CARTRIDGE
56677	Europe	1	37.3 (16.9)			
56678	Oceania	1	42.7 (19.4)	58381 (330 gal. /1,249 L)	220-240V	58093, TYPE: I
56679	Europe	1	42.0 (19.1)	58381 (330 gal. /1,249 L)	220-240V	58093, TYPE: I
56679	Asia, Africa & Latin America	1	41.0 (18.6)	58381 (330 gal. /1,249 L)	220-240V	58093, TYPE: I
56678	Asia, Africa & Latin America	1	42.0 (19.1)	58511 (330 gal. /1,249 L)	110-120V	58093, TYPE: I

Water Capacity (90%): 1,710 gal. (6,473 L) **New Design** 12 ft. x 30 in. / 3.66 m x 76 cm

ITEM	REGION	PACK	LBS (KG)	FILTER PUMP	VOLTAGE	CARTRIDGE
56706	Europe	1	46.3 (21.0)			
56680	Oceania	1	51.7 (23.5)	58381 (330 gal. /1,249 L)	220-240V	58093, TYPE: I
56681	Europe	1	51.1 (23.2)	58381 (330 gal. /1,249 L)	220-240V	58093, TYPE: I
56681	Asia, Africa & Latin America	1	50.0 (22.7)	58381 (330 gal. /1,249 L)	220-240V	58093, TYPE: I
56680	Asia, Africa & Latin America	1	51.0 (23.1)	58511 (330 gal. /1,249 L)	110-120V	58093, TYPE: I

Water Capacity (90%): 2,293 gal. (8,680 L) **New Design** 13 ft. x 33 in. / 3.96 m x 84 cm

ITEM	REGION	PACK	LBS (KG)	FILTER PUMP	VOLTAGE	CARTRIDGE
5612D	Oceania	1	60.8 (27.6)	58383 (530 gal. /2,006 L)	220-240V	58094, TYPE: II
5612E	Europe	1	60.5 (27.5)	58383 (530 gal. /2,006 L)	220-240V	58094, TYPE: II
5612E	Asia, Africa & Latin America	1	60.0 (27.2)	58383 (530 gal. /2,006 L)	220-240V	58094, TYPE: II
5612D	Asia, Africa & Latin America	1	60.0 (27.2)	58384 (530 gal. /2,006 L)	110-120V	58012, TYPE: III - A/C

STEEL PRO MAX™ POOLS

These pools take fun, durability and reliability to the MAX.

The Steel Pro MAX™ above ground pool is designed with a steel frame for increased strength and durability. With the FrameLink System™ or ClickConnect System™ included, the Steel Pro MAX is an unbelievably amazing pool that is long-lasting!



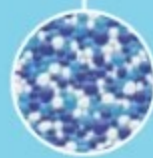
TECHNOLOGY HIGHLIGHTS - PRODUCT DESIGN

FrameLink System™
Corrosion prevention





















ClickConnect System™
Quick-click system and rust prevention

DuraPlus™
3-layer puncture resistant liner material

Prismatic Stone™
Inner liner



PRODUCT MATRIX - POOL RANGE

	3.05 m x 76 cm 10' x 30"	Steel Pro MAX™ Pool	Refer to International Catalog		4.27 m x 1.07 m 14' x 42"	Steel Pro MAX™ Pool	Refer to International Catalog
	3.66 m x 76 cm 12' x 30"	Steel Pro MAX™ Pool	Refer to International Catalog		4.27 m x 1.07 m 14' x 42"	Steel Pro MAX™ Pool	PG. 28
	3.66 m x 1.00 m 12' x 39.5"	Steel Pro MAX™ Pool	Refer to International Catalog		4.27 m x 1.22 m 14' x 48"	Steel Pro MAX™ Pool	Refer to International Catalog
	3.66 m x 1.00 m 12' x 39.5"	Steel Pro MAX™ Pool	PG. 24		4.27 m x 1.22 m 14' x 48"	Steel Pro MAX™ Pool	PG. 32
	3.66 m x 1.00 m 12' x 39.5"	Steel Pro MAX™ Pool	PG. 28		4.57 m x 1.07 m 15' x 42"	Steel Pro MAX™ Pool	Refer to International Catalog
	3.66 m x 1.00 m 12' x 39.5"	Steel Pro MAX™ Pool	PG. 26		4.57 m x 1.22 m 15' x 48"	Steel Pro MAX™ Pool	Refer to International Catalog
	3.66 m x 1.22 m 12' x 48"	Steel Pro MAX™ Pool	Refer to International Catalog		4.88 m x 1.22 m 16' x 48"	Steel Pro MAX™ Pool	Refer to International Catalog
	3.66 m x 1.22 m 12' x 48"	Steel Pro MAX™ Pool	PG. 30		4.88 m x 1.22 m 16' x 48"	Steel Pro MAX™ Pool	PG. 32
	3.96 m x 1.22 m 13' x 48"	Steel Pro MAX™ Pool	Refer to International Catalog		5.49 m x 1.22 m 18' x 48"	Steel Pro MAX™ Pool	Refer to International Catalog
	4.27 m x 84 cm 14' x 33"	Steel Pro MAX™ Pool	Refer to International Catalog		5.49 m x 1.22 m 18' x 48"	Steel Pro MAX™ Pool	PG. 32

Steel Pro MAX™ Pools

ABOVE GROUND POOLS



Water Capacity (90%): 2,417 gal. (9,150 L)

12 ft. x 39.5 in. / 3.66 m x 1.00 m

ITEM	REGION	PACK	LBS (KG)	FILTER PUMP	VOLTAGE	CARTRIDGE	LADDER
56709	Europe	1	83.8 (38.0)	58383 (5:30 gal. /2,006 L)	220-240V	58094, TYPE: II	58330
56709	Asia, Africa & Latin America	1	81.1 (36.8)	58383 (5:30 gal. /2,006 L)	220-240V	58094, TYPE: II	58335
56731	Asia, Africa & Latin America	1	81.1 (36.8)	58384 (5:30 gal. /2,006 L)	110-120V	58012, TYPE: III - A/C	58335

Features & Technologies

FrameLink System™



Build



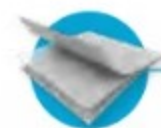
Pattern



Bottom



Hardware



DuraPlus™ Construction

convenience



Drain Valve



Corrosion Resistant



3-Ply PVC



No Tools Required



Packaging:
Full Color Box

Steel Pro MAX™ Pools

ABOVE GROUND POOLS



Water Capacity (90%): 2,417 gal. (9,150 L)

New

12 ft. x 39.5 in. / 3.66 m x 1.00 m

ITEM	REGION	PACK	LBS (KG)	FILTER PUMP	VOLTAGE	CARTRIDGE	LADDER	ENCLOSURE
5619N	Europe	1	117.3 (53.2)	58383 (530 gal. / 2,006 L)	220-240V	58094, TYPE: II	58330	✓

Features & Technologies

FrameLink System™



Build



Color



Bottom



Hardware



DuraPlus™ Construction

convenience



Drain Valve



Corrosion Resistant



3-Ply PVC



No Tools Required



Packaging:
Full Color Box

Steel Pro MAX™ Pools

ABOVE GROUND POOLS



Water Capacity (90%): 2,417 gal. (9,150 L)

12 ft. x 39.5 in. / 3.66 m x 1.00 m

ITEM	REGION	PACK	LBS (KG)	FILTER PUMP	VOLTAGE	CARTRIDGE	LADDER
5614X	Europe	1	83.8 (38.0)	58383 (530 gal. /2,006 L)	220-240V	58094, TYPE: II	58330
5614X	Asia, Africa & Latin America	1	81.1 (36.8)	58383 (530 gal. /2,006 L)	220-240V	58094, TYPE: II	58335

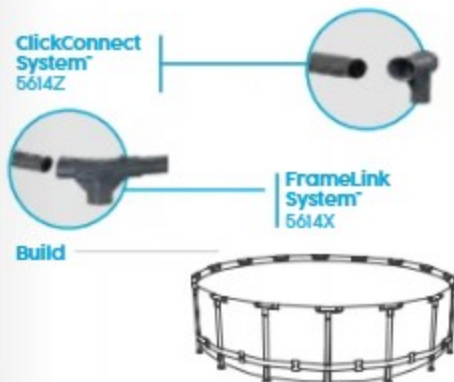
Water Capacity (90%): 3,440 gal. (13,030 L)

New Generation

14 ft. x 42 in. / 4.27 m x 1.07 m

ITEM	REGION	PACK	LBS (KG)	FILTER PUMP	VOLTAGE	CARTRIDGE	COVER	LADDER
5614Z	Europe	1	116.3 (52.7)	58386 (800 gal. /3,028 L)	220-240V	58094, TYPE: II	58248	58330
5614Z	Asia, Africa & Latin America	1	112.2 (50.9)	58386 (800 gal. /3,028 L)	220-240V	58094, TYPE: II	58248	58335

Features & Technologies



Pattern



Bottom



Hardware



DuraPlus™ Construction

Convenience



Drain Valve



Corrosion Resistant



3-Ply PVC



No Tools Required



Packaging:
12 ft. x 39.5 in. – Full Color Box
14 ft. x 42 in. – Sturdy Cardboard Box with Pictures

Steel Pro MAX™ Pools

ABOVE GROUND POOLS



Water capacity (90%): 2,708 gal. (10,250 L) **New**

12 ft. x 48 in. / 3.66 m x 1.22 m

ITEM	REGION	PACK	LBS (KG)	FILTER PUMP	VOLTAGE	CARTRIDGE	LADDER	COVER	ENCLOSURE
5619K	Europe	1	141.7 (64.3)	58383 (5.30 gal. / 2,006 L)	220-240V	58094, TYPE: II	58331	58037	✓

Features & Technologies

FrameLink System™



Build



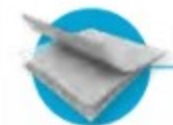
Pattern



Bottom



Hardware



DuraPlus™ Construction

convenience



Drain Valve



Corrosion Resistant



3-Ply PVC



No Tools Required



Packaging: Sturdy Cardboard Box with Pictures

Steel Pro MAX™ Pools

ABOVE GROUND POOLS



Water Capacity (90%): 4,024 gal. (15,232 L) **New Generation**

14 ft. x 48 in. / 4.27 m x 1.22 m

ITEM	REGION	PACK	LBS (KG)	FILTER PUMP	VOLTAGE	CARTRIDGE	COVER	LADDER
5619C	Oceania	1	127.8 (58.0)	58386 (800 gal. / 3,028 L)	220-240V	58094, TYPE: II	58248	58336
5619D	Europe	1	132.5 (60.1)	58386 (800 gal. / 3,028 L)	220-240V	58094, TYPE: II	58248	58331
5619D	Asia, Africa & Latin America	1	126.0 (57.2)	58386 (800 gal. / 3,028 L)	220-240V	58094, TYPE: II	58248	58336
5619C	Asia, Africa & Latin America	1	126.0 (57.2)	58387 (800 gal. / 3,028 L)	110-120V	58012, TYPE: III - A/C	58248	58336

Water Capacity (90%): 5,145 gal. (19,480 L) **New Generation**

16 ft. x 48 in. / 4.88 m x 1.22 m

ITEM	REGION	PACK	LBS (KG)	FILTER PUMP	VOLTAGE	CARTRIDGE	COVER	LADDER
5619H	Oceania	1	153.6 (69.7)	58389 (1,500 gal. / 5,678 L)	220-240V	58012, TYPE: III - A/C	58249	58336
5619E	Europe	1	160.5 (72.8)	58389 (1,500 gal. / 5,678 L)	220-240V	58012, TYPE: III - A/C	58249	58331
5619E	Asia, Africa & Latin America	1	153.2 (69.5)	58389 (1,500 gal. / 5,678 L)	220-240V	58012, TYPE: III - A/C	58249	58336
5619H	Asia, Africa & Latin America	1	153.2 (69.5)	58390 (1,500 gal. / 5,678 L)	110-120V	58012, TYPE: III - A/C	58249	58336

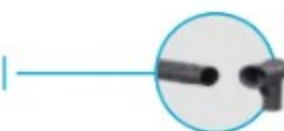
Water Capacity (90%): 6,092 gal. (23,062 L) **New Generation**

18 ft. x 48 in. / 5.49 m x 1.22 m

ITEM	REGION	PACK	LBS (KG)	FILTER PUMP	VOLTAGE	CARTRIDGE	COVER	LADDER
5618X	Oceania	1	171.8 (77.9)	58389 (1,500 gal. / 5,678 L)	220-240V	58012, TYPE: III - A/C	58039	58336
5618Y	Europe	1	178.1 (80.8)	58389 (1,500 gal. / 5,678 L)	220-240V	58012, TYPE: III - A/C	58039	58331
5618Y	Asia, Africa & Latin America	1	171.4 (77.8)	58389 (1,500 gal. / 5,678 L)	220-240V	58012, TYPE: III - A/C	58039	58336
5618X	Asia, Africa & Latin America	1	171.4 (77.8)	58390 (1,500 gal. / 5,678 L)	110-120V	58012, TYPE: III - A/C	58039	58336

Features & Technologies

ClickConnect System™



Build



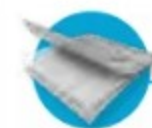
Pattern



Bottom



Hardware



DuraPlus™ Construction

Convenience



Drain Valve



Corrosion Resistant



3-Ply PVC



No Tools Required

Packaging:
Sturdy Cardboard Box
with Pictures.



POWER STEEL™ POOLS

The smart choice.

The strength and security of rigid, super strong steel tube framing, plus simple, minimal-tool assembly makes a Bestway® Power Steel Pool the smart choice for families.



TECHNOLOGY HIGHLIGHTS - PRODUCT DESIGN

Seal & Lock System™
Superior steel frame design



ClickConnect System™
Quick-click system and rust prevention



Tritech™
3-layer puncture resistant liner material



PRODUCT MATRIX - POOL RANGE

	2.82 m x 1.96 m x 84 cm 9'3" x 6'5" x 33"	Power Steel® Rectangular Pool	Refer to International Catalog
	4.04 m x 2.01 m x 1.00 m 13'3" x 6'7" x 39.5"	Power Steel® Rectangular Pool	Refer to International Catalog
	4.04 m x 2.01 m x 1.00 m 13'3" x 6'7" x 39.5"	Power Steel® Rectangular Pool	PG. 36
	4.12 m x 2.01 m x 1.22 m 13'6" x 6'7" x 48"	Power Steel® Rectangular Pool	Refer to International Catalog
	4.12 m x 2.01 m x 1.22 m 13'6" x 6'7" x 48"	Power Steel® Rectangular Pool	PG. 36
	4.88 m x 2.44 m x 1.22 m 16' x 8' x 48"	Power Steel® Rectangular Pool	Refer to International Catalog
	4.88 m x 2.44 m x 1.22 m 16' x 8' x 48"	Power Steel® Rectangular Pool	PG. 36
	5.49 m x 2.74 m x 1.22 m 18' x 9' x 48"	Power Steel® Rectangular Pool	Refer to International Catalog
	5.49 m x 2.74 m x 1.22 m 18' x 9' x 48"	Power Steel® Rectangular Pool	PG. 36
	5.49 m x 2.74 m x 1.32 m 18' x 9' x 52"	Power Steel® Rectangular Pool	PG. 38
	6.40 m x 2.74 m x 1.32 m 21' x 9' x 52"	Power Steel® Rectangular Pool	Refer to International Catalog
	7.32 m x 3.66 m x 1.32 m 24' x 12' x 52"	Power Steel® Rectangular Pool	Refer to International Catalog
	9.56 m x 4.88 m x 1.32 m 31'4" x 16' x 52"	Power Steel® Rectangular Pool	Refer to International Catalog
	3.96 m x 1.07 m 13' x 42"	Power Steel® Pool Set with Canopy	PG. 40

Power Steel™ Rectangular Pools

ABOVE GROUND POOLS



Features & Technologies



Seal & Lock System™

Superior Steel Frame Design



Tritech™ Construction



ChemConnect™ Dispenser

Dispenses 1 in. / 2.54 cm chemical tablets



Convenience



Build



Packaging

Packaging: Sturdy Cardboard Box with Pictures



Water Capacity (90%): 1,711 gal. (6,478 L)

13 ft. 3 in. x 6 ft. 7 in. x 39.5 in. / 4.04 m x 2.01 m x 1.00 m

ITEM	REGION	PACK	LBS (KG)	FILTER PUMP	VOLTAGE	CARTRIDGE	LADDER	CHEMCONNECT™ DISPENSER
56721	Europe	1	135.2 (61.3)	58383 (530 gal. /2,006 L)	220-240V	58094, TYPE: II	58330	✓
56721	Asia, Africa & Latin America	1	133.2 (60.4)	58383 (530 gal. /2,006 L)	220-240V	58094, TYPE: II	58335	✓
56727	Asia, Africa & Latin America	1	133.2 (60.4)	58384 (530 gal. /2,006 L)	110-120V	58012, TYPE: III - A/C	58335	✓

Water Capacity (90%): 2,146 gal. (8,124 L)

13 ft. 6 in. x 6 ft. 7 in. x 48 in. / 4.12 m x 2.01 m x 1.22 m

ITEM	REGION	PACK	LBS (KG)	FILTER PUMP	VOLTAGE	CARTRIDGE	LADDER	CHEMCONNECT™ DISPENSER
56728	Oceania	1	157.3 (71.3)	58383 (530 gal. /2,006 L)	220-240V	58094, TYPE: II	58336	✓
56722	Europe	1	162.0 (73.5)	58383 (530 gal. /2,006 L)	220-240V	58094, TYPE: II	58331	✓
56722	Asia, Africa & Latin America	1	156.4 (70.9)	58383 (530 gal. /2,006 L)	220-240V	58094, TYPE: II	58336	✓
56728	Asia, Africa & Latin America	1	156.4 (70.9)	58384 (530 gal. /2,006 L)	110-120V	58012, TYPE: III - A/C	58336	✓

Water Capacity (90%): 3,046 gal. (11,532 L)

16 ft. x 8 ft. x 48 in. / 4.88 m x 2.44 m x 1.22 m

ITEM	REGION	PACK	LBS (KG)	FILTER PUMP	VOLTAGE	CARTRIDGE	COVER	LADDER	CHEMCONNECT™ DISPENSER
56996	Oceania	1	201.9 (91.6)	58386 (800 gal. /3,028 L)	220-240V	58094, TYPE: II	✓	58336	✓
56996	Europe	1	207.7 (94.2)	58386 (800 gal. /3,028 L)	220-240V	58094, TYPE: II	✓	58331	✓
56996	Asia, Africa & Latin America	1	201.0 (91.2)	58386 (800 gal. /3,028 L)	220-240V	58094, TYPE: II	✓	58336	✓
56996	Asia, Africa & Latin America	1	201.0 (91.2)	58387 (800 gal. /3,028 L)	110-120V	58012, TYPE: III - A/C	✓	58336	✓

Water Capacity (90%): 3,913 gal. (14,812 L)

18 ft. x 9 ft. x 48 in. / 5.49 m x 2.74 m x 1.22 m

ITEM	REGION	PACK	LBS (KG)	FILTER PUMP	VOLTAGE	CARTRIDGE	COVER	LADDER	CHEMCONNECT™ DISPENSER
56997	Oceania	1	223.4 (101.3)	58389 (1,500 gal. /5,678 L)	220-240V	58012, TYPE: III - A/C	✓	58336	✓
56998	Europe	1	233.6 (105.9)	58389 (1,500 gal. /5,678 L)	220-240V	58012, TYPE: III - A/C	✓	58331	✓
56998	Asia, Africa & Latin America	1	223.6 (101.4)	58389 (1,500 gal. /5,678 L)	220-240V	58012, TYPE: III - A/C	✓	58336	✓
56997	Asia, Africa & Latin America	1	223.6 (101.4)	58390 (1,500 gal. /5,678 L)	110-120V	58012, TYPE: III - A/C	✓	58336	✓

Power Steel™ Rectangular Pools

ABOVE GROUND POOLS



Water Capacity (90%): 4,352 gal. (16,477 L)

New

18 ft. x 9 ft. x 52 in. / 5.49 m x 2.74 m x 1.32 m

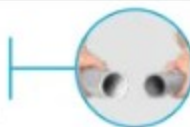


ITEM	REGION	PACK	LBS (KG)	FILTER PUMP	VOLTAGE	CARTRIDGE	COVER	LADDER	CHEMCONNECT™ DISPENSER
5619Q	Europe	1	264.1 (119.8)	5849 / (1,500 gal. / 5,678 L)	220-240V	SAND FILTER	✓	58332	✓

Features & Technologies

Seal & Lock System™

Superior Steel Frame Design



Build



Color



Bottom



Hardware

Tritech™ Construction



convenience



Drain Valve



Corrosion Resistant



C-Connector

ChemConnect™ Dispenser

Dispenses 1 in. / 2.54 cm chemical tablets



Packaging: Sturdy Cardboard Box with Pictures

Power Steel™ Pool Set with Canopy

ABOVE GROUND POOLS



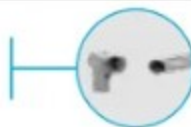
Water Capacity (90%): 2,941 gal. (11,133 L) **New Generation**
13 ft. x 42 in. / 3.96 m x 1.07 m

ITEM	REGION	PACK	LBS (KG)	FILTER PUMP	VOLTAGE	CARTRIDGE	COVER	LADDER	CHEMCONNECT™ DISPENSER	CANOPY
5614U	Oceania	1	111.9 (50.8)	58383 (530 gal. / 2,006 L)	220-240V	58094, TYPE: II	58292	58335	✓	✓
5614V	Europe	1	113.6 (51.5)	58383 (530 gal. / 2,006 L)	220-240V	58094, TYPE: II	58292	58330	✓	✓
5614V	Asia, Africa & Latin America	1	111.3 (50.5)	58383 (530 gal. / 2,006 L)	220-240V	58094, TYPE: II	58292	58335	✓	✓
5614U	Asia, Africa & Latin America	1	111.3 (50.5)	58384 (530 gal. / 2,006 L)	110-120V	58012, TYPE: III - A/C	58292	58335	✓	✓

Features & Technologies

ClickConnect System™

Superior Steel Frame Design



Build



Pattern

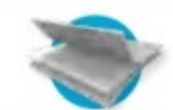


Bottom



Hardware

Tritech™ Construction



convenience



Drain Valve



Corrosion Resistant



3-Ply PVC



No Tools Required

ChemConnect™ Dispenser

Dispensers 1 in. / 2.54 cm chemical tablets



Packaging: Sturdy Cardboard Box with Pictures

POWER STEEL™ SWIM VISTA SERIES™

The Power Steel™ Swim Vista Series™ pools offer an incredibly unique swimming experience.

With built-in portholes, kids can wave to onlookers while gliding by, and parents can easily keep an eye on them as they swim underwater!

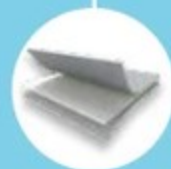


PRODUCT MATRIX - POOL RANGE

	4.88 m x 1.22 m - 16' x 48"	Power Steel™ Swim Vista Series™ II Pool	Refer to International Catalog
	5.49 m x 1.22 m - 18' x 48"	Power Steel™ Swim Vista Series™ II Pool	Refer to International Catalog
	4.27 m x 2.50 m x 1.00 m 14' x 8'2" x 39.5"	Power Steel™ Swim Vista Series™ II Pool	Refer to International Catalog
	4.88 m x 3.05 m x 1.07 m 16' x 10' x 42"	Power Steel™ Swim Vista Series™ II Pool	PG. 44
	5.49 m x 2.74 m x 1.22 m 18' x 9' x 48"	Power Steel™ Swim Vista Series™ II Pool	Refer to International Catalog

TECHNOLOGY HIGHLIGHTS - PRODUCT DESIGN

Tritech™
3-layer puncture resistant liner material



Frosted Finish
Prevents pool liner from sticking in a hot environment



ChemConnect™ Dispenser
Dispenses 1 in. / 2.54 cm chemical tablets



Seal & Lock System™
Superior steel frame design



Power Steel™ Swim Vista Series™ II Pools

ABOVE GROUND POOLS



Bestway
Power Steel™
Swim Vista Series™ II



Water Capacity (90%): 2,893 gal. (10,949 L)

16 ft. x 10 ft. x 42 in. / 4.88 m x 3.05 m x 1.07 m

ITEM	REGION	PACK	LBS (KG)	FILTER PUMP	VOLTAGE	CARTRIDGE	COVER	LADDER	CHEMCONNECT™ DISPENSER
56946	Europe	1	167.5 (76.0)	58515 (800 gal. / 3,028 L)	220-240V	SAND FILTER	✓	58330	✓
56946	Asia, Africa & Latin America	1	165.7 (75.2)	58515 (800 gal. / 3,028 L)	220-240V	SAND FILTER	✓	58335	✓

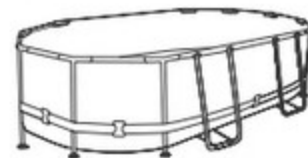
Features & Technologies

Seal & Lock System™

Superior Steel Frame Design



Build



Pattern



Bottom



Hardware

Tritech™ Construction



Convenience



Drain Valve



Corrosion Resistant



3-Ply PVC



No Tools Required

ChemConnect™ Dispenser

Dispenses 1 in. / 2.54 cm chemical tablets



Packaging: Sturdy Cardboard Box with Pictures



AGP ACCESSORIES

Bestway® offers a range of pool products that can handle cleaning, maintenance, and mood. They help customers with the wide range of pool owner responsibilities, while helping them enjoy their product for as long as possible.

50 Aquatronix™

52 Swimfinity™

54 4kW Pool Heater

56 Secure Hose Support

57 Pool Floor Protector

58 Round Pool Dome

**PRODUCT MATRIX:
AUTONOMOUS
POOL ROBOT
RANGE**



AQUA GLIDE
58620



AQUA ROVER
58622



AQUA TRONIX
58482

	AQUA GLIDE 58620	AQUA ROVER 58622	AQUA TRONIX 58482
SPECIFICATIONS	recommend for flat bottom pools: - Round Pools up to 20 m ² (4.88 m) / 215 ft. ² (16') - Rectangular pools up to 20 m ² (6.40 m) / 215 ft. ² (21')	recommend for flat bottom pools: - Round Pools up to 45 m ² (7.32 m) / 484 ft. ² (24') - Rectangular pools up to 43 m ² (9.56 m) / 463 ft. ² (31'4")	recommend for flat bottom pools: - Round Pools up to 45 m ² (7.32 m) / 484 ft. ² (24') - Rectangular pools up to 43 m ² (9.56 m) / 463 ft. ² (31'4")
	debris capacity: 2.2 L	debris capacity: 4 L	debris capacity: 4.5 L
	working time: 40 min	working time: 90 min	working time: 90 min
	charging time: 5-6 h	charging time: 5-6 h	charging time: 5-6 h
	compatible with both above ground & in-ground pools	compatible with both above ground & in-ground pools	compatible with both above ground & in-ground pools
MAIN FEATURES	retrieval kit	retrieval kit	premium retrieval kit
	built-in retrieval cord	built-in retrieval cord	removable bumper
		additional brush included	removable retrieval cord
			handle
PAGE	Refer to International Catalog	Refer to International Catalog	P. 50



AGP ACCESSORIES



Aquatronix™

58482

Your pool is for relaxing, not labor. Aquatronix™ is the autonomous pool cleaning robot doing the dirty work to keep your pool clean and pristine. This cordless robot has a full range of motion and is compatible with any flat bottom pool.

Main features:

- Autonomous & cordless pool cleaning robot
- Compatible with any flat bottom pool (above ground or in-ground)
- Built-in rechargeable lithium battery
- Recharge time: 5-6 hours
- Cycle use time: 90 minutes
- Included retrieval kit
- Built-in water sensor activates the cleaner once it is fully submerged in water, and deactivates when water level is insufficient, to protect the motor
- Easy clean stainless steel filter screen traps up to 4.5 L of debris inside the base compartment
- Patented directional jet system ensures efficient cleaning as the robot will change direction when encountering walls or obstacles
- Recommended for flat bottom pools
 - Round Pools: up to 7.32 m / 24' in diameter or 45 m² / 484 ft.² in total area
 - Rectangular pools: up to 9.56 m / 31'4" in length or 43 m² / 463 ft.² in total area

Item #	Size	Pack	LBS (KG)
58482	45 cm x 33 cm x 30.50 cm / 17.72" x 12.99" x 12.01"	1	16.3 (7.4)

Packaging

Full color box



Components:

- 1 Retrieval Kit
- 2 Head Locking Flap For 180-Degree Turns
- 3 Handle
- 4 On/Off LED Light
- 5 Optional Bumpers
- 6 Underside Debris Agitators
- 7 Adjustable Wheel Axle
- 8 New: Stainless Steel Mesh Filter

AGP ACCESSORIES



Swimfinity™ 58517

Take water workouts up a notch with the Swimfinity™ Swim Fitness System! Now, anyone can simulate swimming laps in any size pool. With the Swimfinity, water aerobics will never be the same!

swimfinity™

58517

ITEM	REGION	RATING	SIZE	REC. POOL LENGTH & DEPTH	PACK	LBS (KG)	PACKAGING
58517	Europe	220-240V~ (PRCD)	72 cm x 48 cm x 83.50 cm / 28.35" x 18.90" x 32.87"	L: 4.57 m / 15' D: 1.00 m / 39.5"	1	118.0 (53.5)	Sturdy Cardboard Box With Pictures

- Digital LED display indicates distance, time and calories burned
- 8 variable speeds, flow speeds range from 39 m (128 ft.)/min to 78 m (255.9 ft.)/min
- The depth and angle of water flow is adjustable
- Built-in LED light for illumination during the night
- Includes remote control
- Easy to set up and operate
- Suitable for both in-ground & above ground pools
- Pool Size Requirements: Depth ≥ 1.00 m (39.5"), Length ≥ 4.57 m (15'), Width ≥ 2.44 m (8')
- Output Voltage: ±12 V DC 35 A
- Input Power: 1000 W



INTENSITY LEVEL	1	2	3	4	5	6	7	8
FLOW RATE (FT./M PER MIN)	128.0 FT 39.0 M	145.7 FT 44.4 M	163.4 FT 49.8 M	181.1 FT 55.2 M	198.8 FT 60.6 M	216.5 FT 66.6 M	234.3 FT 71.4 M	255.9 FT 78.0 M



AGP ACCESSORIES



4kW Pool Heater

58748

The collection of pool heaters from Bestway® is the perfect addition to any above ground pool. It is designed to maintain a safe, comfortable temperature at all times. Pool owners can treat themselves with a high-quality pool heater from a reliable name in pools - Bestway.

Main features:

- Anti-corrosion titanium heat exchanger
- Energy-efficient heating and temperature regulation (≤ 4.4 kW) for all year pool use
- Uses eco-friendly low GWP R32 refrigerant
- Equipped with residual current device for electrical safety
- Easy installation and use
- IPX4 waterproof
- Water sensor power switch
- Working temperature: $\geq 12^{\circ}\text{C}$ (54°F)
- Includes adapters for both 3.2 cm (1.25 in.) and 3.8 cm (1.5 in.) filter pump connection

New

ITEM	REGION	HEATING RATE	SIZE	PUMP COMPATIBILITY	POOL COMPATIBILITY	PACK	LBS (KG)	PACKAGING
58748	Europe	4.4 kW	42.50 cm x 56.50 cm x 44 cm / 16.73" x 22.24" x 17.32"	2,006 L/h (530 gal./h) and above	up to 30,000 L (7,925 gal.) AGP	1	67.2 (30.5)	Full color box



Packaging

Full color box



Secure Hose Support

58654

Size

- 12 cm x 7.30 cm x 14.20 cm / 4.72" x 2.87" x 5.59"

Features

- Provides support to hoses
- Prevents hoses from hanging down
- Optimizes the water flow
- Easy to use

Material

- Durable ABS material

Compatibility

- Compatible with pools with diameter 3.2 cm / 1.5" valves

Packaging

- Polybag with header card
- 12 Ea., 4.7 lbs / 2.1 kg

Contents

- Two hose supports



Pool Floor Protector

58639

ITEM	SIZE	CONTENT	COLORS	PACK	LBS (KG)
58639	50 cm x 50 cm / 20" x 20"	9 Pieces	●	30	50.3 (22.8)

- Multiple packages may be needed to cover the desired area
- Durable polyethylene
- Provides added protection for pool floors
- Grey color allows differentiation from all the standard floor protectors and better matches with medium/high level pools
- Shrink wrapped with insert card



AGP ACCESSORIES



Round Pool Dome

58612

Create your own oasis right in your backyard with the Flowclear™ Round Pool Dome! Compatible with inflatable spas and pools up to 4.88 m (16 ft.), this dome can give you some privacy and shield you from the rain, sun or other weather elements.

Round Pool Dome

58612

ITEM	SIZE	CORRESPONDING POOL - FITS:	PACK	LBS (KG)
58612	6 m x 6 m x 2.95 m / 19'8" x 19'8" x 9'8"	Up to 4.88 m / 16'	1	45.0 (20.4)

- Two Layers
- 16 Stakes/Pegs
- Flysheet: 190T Polyester, PU2000mm Coated + UPF 50+
- Inner/outer walls: 190T Polyester, PA300mm Coated + B3 Polyester Mesh
- Poles: Fiberglass - Ø 11 mm / Ø 12.7 mm
- Carry Bag: 210 D Polyester oxford with PU450 mm coated
- Product Weight: 40.5 lbs (18.4 kg)
- Flysheet with UV protection, B3 Polyester mesh inner roof
- 2 entryways, 8 large transparent PVC windows
- Setup time: 30 min





LAY-Z-SPA.

PORTABLE SPAS

Nearly a decade of advanced engineering and innovations have built a global name that people know and trust. Lay-Z-Spa® offers an affordable spa experience that's convenient to use, easy to set up and offers total relaxation.

68 Aruba
AirJet™

72 Cancun
AirJet™

76 Madrid
AirJet™

80 Tahiti
AirJet™

84 Paris
AirJet™

88 Palm Springs
AirJet™

92 Mauritius
AirJet™

100 Toronto
AirJet Plus™

106 Cabo
HydroJet™

110 Dominica
HydroJet™

116 Hawaii
HydroJet Pro™

**PRODUCT MATRIX:
PORTABLE SPAS RANGE**

ST. LUCIA
60037
AIRJET™



ARUBA
60061
AIRJET™



MIAMI
60001
AIRJET™



BAHAMAS
60005
AIRJET™



CANCUN
60003
AIRJET™



FIJI
60085
AIRJET™



TAHITI
60007
AIRJET™



BORACAY
60175
AIRJET™



MADRID
60055
AIRJET™



HAYANA
60035
AIRJET™



IBIZA
60015
AIRJET™



HOLLYWOOD
60059
AIRJET™



PARIS
60013
AIRJET™



ZURICH
60065
AIRJET™



PALM SPRINGS
60017
AIRJET™



HONOLULU
60019
AIRJET™



CAPACITY	2-3 ADULTS	2-3 ADULTS	2-4 ADULTS	2-4 ADULTS	2-4 ADULTS	2-4 ADULTS	2-4 ADULTS
INFLATED SIZE	170 M X 66 CM (6' X 26")	170 M X 66 CM (6' X 26")	180 M X 66 CM (7' X 26")	180 M X 66 CM (7' X 26")	180 M X 66 CM (7' X 26")	180 M X 66 CM (7' X 26")	180 M X 66 CM (7' X 26")
INNER SIZE	124 M (49")	124 M (49")	132 M (52")	132 M (52")	132 M (52")	132 M (52")	132 M (52")
WATER CAPACITY	605 L (160 GAL.)	605 L (160 GAL.)	669 L (177 GAL.)	669 L (177 GAL.)	669 L (177 GAL.)	669 L (177 GAL.)	669 L (177 GAL.)
NUMBER OF AIRJETS	110	110	120	120	120	120	120
NUMBER OF HYDROJETS	-	-	-	-	-	-	-
BESTWAY SMART HUB™							
FREEZE SHIELD™	•	•	•	•	•	•	•
ENERGYSENSE™ LINER/ WALLS							
THERMACORE™ CONSTRUCTION							
LED LIGHTS							•
FOOT / LEG MASSAGE							
MASSAGE REGULATION							
INTEGRATED SEATS							
PILLOW							
PAGE	Refer to International catalog	P. 68	Refer to International catalog	Refer to International catalog	P. 72	Refer to International catalog	P. 80

CAPACITY	2-4 ADULTS	2-4 ADULTS	2-4 ADULTS	4-6 ADULTS	4-6 ADULTS	4-6 ADULTS	2-4 ADULTS	4-6 ADULTS	4-6 ADULTS
INFLATED SIZE	180 M X 66 CM (7' X 26")	180 M X 66 CM (7' X 26")	180 M X 66 CM (7' X 26")	180 M X 190 M X 66 CM (7' X 7' X 26")	196 M X 66 CM (7' X 26")	196 M X 66 CM (7' X 26")	180 M X 66 CM (7' X 26")	196 M X 71 CM (7' X 28")	196 M X 71 CM (7' X 28")
INNER SIZE	132 M (52")	132 M (52")	132 M (52")	132 M X 132 M (52" X 52")	148 M (58")	146 M (57")	132 M (52")	146 M (57")	146 M (57")
WATER CAPACITY	669 L (177 GAL.)	669 L (177 GAL.)	669 L (177 GAL.)	778 L (205 GAL.)	908 L (240 GAL.)	806 L (213 GAL.)	669 L (177 GAL.)	916 L (242 GAL.)	916 L (242 GAL.)
NUMBER OF AIRJETS	120	120	120	140	140	140	120	140	140
NUMBER OF HYDROJETS	-	-	-	-	-	-	-	-	-
BESTWAY SMART HUB™	•	•	•						
FREEZE SHIELD™	•	•	•	•	•	•	•	•	•
ENERGYSENSE™ LINER/ WALLS							•		
THERMACORE™ CONSTRUCTION									
LED LIGHTS					•	•			
FOOT / LEG MASSAGE									
MASSAGE REGULATION	•	•	•						
INTEGRATED SEATS									
PILLOW					•				
PAGE	Refer to International catalog	P. 76	Refer to International catalog	Refer to International catalog	Refer to International catalog	P. 84	Refer to International catalog	P. 88	Refer to International catalog

**PRODUCT MATRIX:
PORTABLE SPAS RANGE**



CAPACITY	4-6 ADULTS	5-7 ADULTS	4-6 ADULTS	5-7 ADULTS	6-8 ADULTS	5-7 ADULTS	4-6 ADULTS
INFLATED SIZE	1.80 M X 1.80 M X 71 CM (71" X 71" X 28")	2.16 M X 71 CM (85" X 28")	1.96 M X 66 CM (77" X 26")	2.70 M X 1.80 M X 71 CM (811" X 71" X 28")	2.36 M X 71 CM (93" X 28")	1.80 M X 66 CM (71" X 26")	1.96 M X 71 CM (77" X 28")
INNER SIZE	1.30 M X 1.30 M (51" X 51")	1.66 M (65")	1.48 M (58")	2.20 M X 1.30 M (73" X 51")	1.86 M (73")	1.70 M (67")	1.46 M (57")
WATER CAPACITY	840 L (222 GAL.)	1190 L (314 GAL.)	908 L (240 GAL.)	1370 L (362 GAL.)	1350 L (357 GAL.)	1123 L (297 GAL.)	916 L (242 GAL.)
NUMBER OF AIRJETS	140	180	140	180	190	180	140
NUMBER OF HYDROJETS	-	-	-	-	-	-	-
BESTWAY SMART HUB™	-	•	•	-	-	•	•
FREEZE SHIELD™	•	•	•	•	•	•	•
ENERGYSENSE™ LINER/ WALLS	-	-	•	-	-	-	-
THERMACORE™ CONSTRUCTION	-	-	-	-	-	-	-
LED LIGHTS	-	-	-	-	-	-	-
FOOT / LEG MASSAGE	-	-	-	-	-	-	•
MASSAGE REGULATION	-	•	•	-	-	•	•
INTEGRATED SEATS	-	-	-	-	-	-	-
PILLOW	-	-	-	-	-	-	-
PAGE	Refer to International catalog	Refer to International catalog	Refer to International catalog	P. 92	Refer to International catalog	Refer to International catalog	Refer to International catalog

CAPACITY	3-5 ADULTS	5-7 ADULTS	4-6 ADULTS	4-6 ADULTS	4-6 ADULTS	5-7 ADULTS	5-7 ADULTS	5-7 ADULTS
INFLATED SIZE	1.55 M X 60 CM (61" X 24")	1.90 M X 70 CM (75" X 27.5")	1.96 M X 71 CM (77" X 28")	1.80 M X 1.80 M X 71 CM (71" X 71" X 28")	1.80 M X 1.80 M X 71 CM (71" X 71" X 28")	2.16 M X 80 CM (85" X 31.5")	2.01 M X 2.01 M X 80 CM (79" X 79" X 31.5")	2.30 M X 2.30 M X 71 CM (90.5" X 90.5" X 28")
INNER SIZE	1.45 M (57")	1.70 M (67")	1.46 M (57")	1.30 M X 1.30 M (51" X 51")	1.30 M X 1.30 M (51" X 51")	1.66 M (65")	1.51 M X 1.51 M (59" X 59")	1.80 M X 1.80 M (71" X 71")
WATER CAPACITY	804 L (213 GAL.)	1,300 L (345 GAL.)	810 L (214 GAL.)	795 L (210 GAL.)	795 L (210 GAL.)	1190 L (314 GAL.)	1,050 L (277 GAL.)	1,180 L (312 GAL.)
NUMBER OF AIRJETS	140	180	140	140	140	180	180	180
NUMBER OF HYDROJETS	-	-	4	4	8	10	8	10
BESTWAY SMART HUB™	•	•	•	•	•	•	•	•
FREEZE SHIELD™	•	•	•	•	•	•	•	•
ENERGYSENSE™ LINER/ WALLS	-	-	-	-	-	-	-	-
THERMACORE™ CONSTRUCTION	-	•	-	-	-	-	-	-
LED LIGHTS	-	-	-	-	-	•	•	•
FOOT / LEG MASSAGE	•	•	-	-	-	•	•	•
MASSAGE REGULATION	•	•	•	•	•	•	•	•
INTEGRATED SEATS	-	-	-	-	-	•	•	•
PILLOW	-	•	•	•	•	•	•	•
PAGE	Refer to International catalog	P. 100	P. 110	P. 106	P. 116	Refer to International catalog	Refer to International catalog	Refer to International catalog



AIRJET™ SYSTEM

FLOAT AWAY ON A CLOUD OF BUBBLES WITH AN AIRJET MASSAGE.

Soothe your body and relax your mind with the touch of a button. Simply press the massage button on the control panel, and the AirJet system will surround you with calming bubbles.

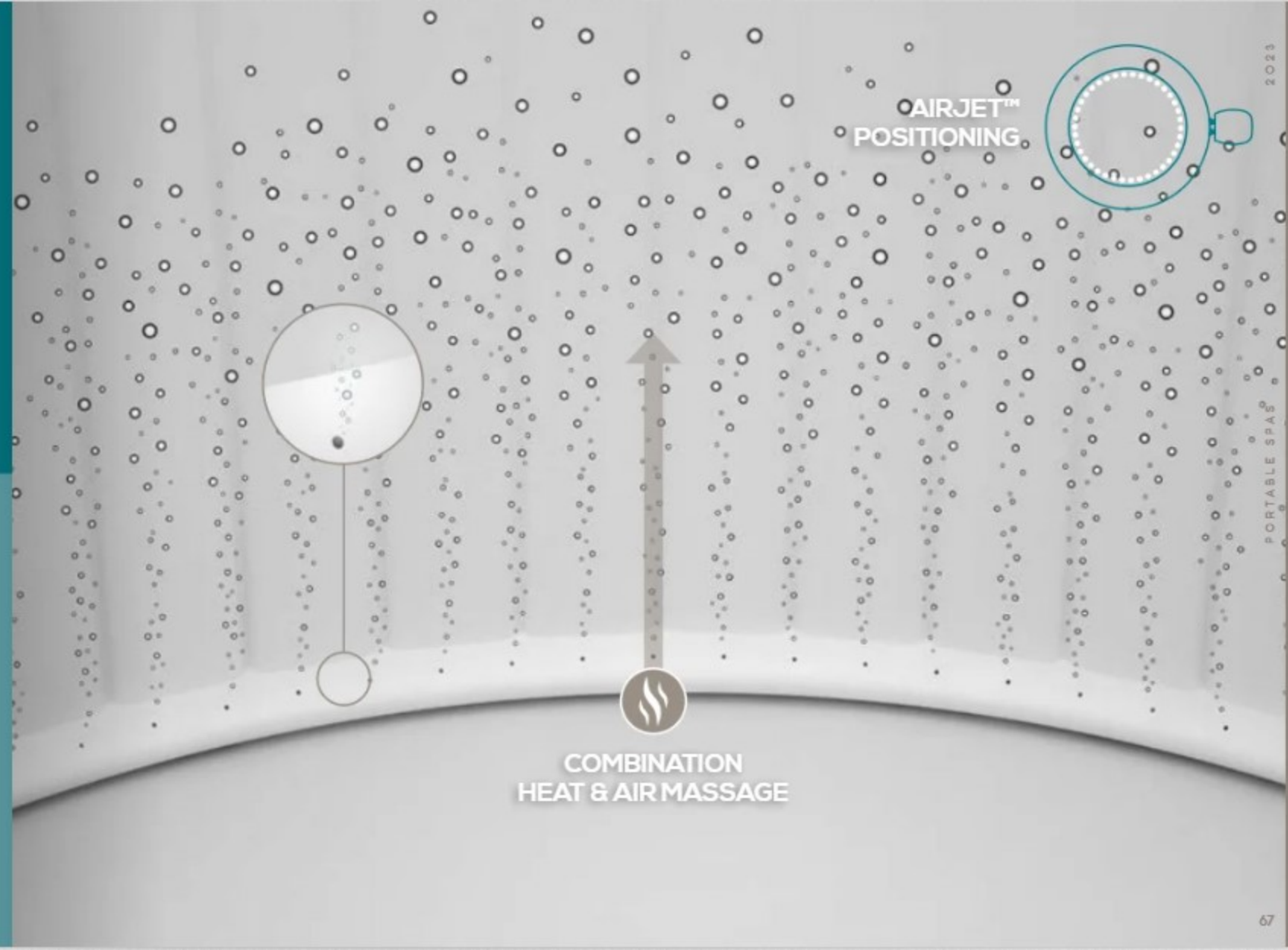


MULTI-FUNCTION PUMP

The included spa pump is convenient and accessible, complete with a digital interface and cup holders. This pump inflates the spa, starts the heating and massage systems, and can activate the filtration system. The best part is that the design now allows users to adjust their needs without standing up or exiting the spa.



EASY TO REACH CONTROL PANEL



AIRJET™
POSITIONING

COMBINATION
HEAT & AIR MASSAGE

PORTABLE SPAS



Aruba AirJet™

60061

FREEZE SHIELD™ TECHNOLOGY



CAPACITY 2-3 PEOPLE



Main features:

- Soothing AirJet™ bubble massage system (110 jets)
- Ultra-strong DuraPlus™ walls are stress tested to offer durability
- Freeze Shield™ automatic heating prevents water from freezing & damaging the spa
- Program the spa heater up to 40 days in advance for future use
- ChemConnect™ dispenser provides a stable level of chlorine throughout the spa
- Power-saving, timer-controlled heating system
- Digital control panel & spa pump with integrated filtration system includes cup holders and is accessible from inside the spa
- Reinforced cover with safety lock clips

Contents: 1 spa, 1 pool cover, 1 spa pump, 1 ChemConnect™ dispenser, filter cartridge (VI), repair patch, AirJet™ system



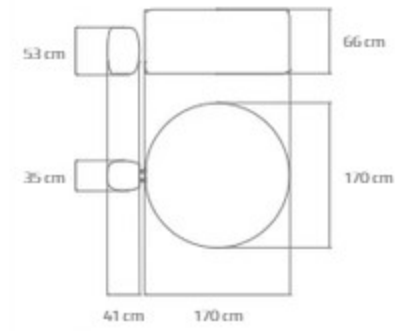
Filter Cartridge



ChemConnect™



DuraPlus™ Exterior Cover





SPA FEATURES



WARM AIR



MAX TEMP
40 °C (104 °F)



GROUND FAULT
DETECTION SYSTEM
* MOST SPAS HAVE GROUND FAULT
DETECTION SYSTEM (GDS).



NO TOOLS
REQUIRED



POWER
SAVING TIMER

PACKAGING

Packaging: Full Color Box



DURAPLUS™ WALL & TOP RING

The outer surface of this spa is constructed with premium DuraPlus™ material, providing superior durability, stretch resistance and structural stability.



AIRJET™ MASSAGE SYSTEM

Soothe your body and relax your mind with the touch of a button! The Airjets work by releasing warm air into the water, surrounding you with a calming bubble massage.



FREEZE SHIELD™ TECHNOLOGY

These spas have built-in sensors so water temperature never falls below your comfort level. Freeze Shield automatically increases water circulation when temperatures are low to prevent inner parts from becoming damaged.

SPECIFICATIONS

ITEM NUMBER	60061
WATER CAPACITY	605 L (160 GAL.)
INFLATED SIZE	1.70 M X 66 CM (67" X 26")
INNER SIZE	1.24 M (49")
FILLED WEIGHT	630 KG (1,389 LBS)
RATING	220-240V- 50HZ, 2050W AT 20°C (68°F)
ACTUAL WATER FLOW	1,325 L/H (350 GAL./H)
HEATING SYSTEM	APPROX. 1.5 - 2.0°C/H (3-4°F/H)
CERTIFICATION	CE/GS
PACK/ GROSS WEIGHT	1 EA., 32.41 KG (71.45 LBS)

DIGITAL CONTROL PANEL



PORTABLE SPAS



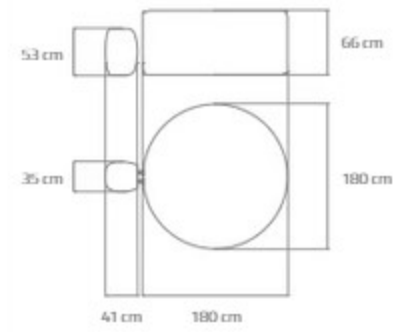
Cancun AirJet™ 60003



Main features:

- Soothing AirJet™ bubble massage system (120 jets)
- Ultra-strong DuraPlus™ walls are stress tested to offer durability
- Freeze Shield™ automatic heating prevents water from freezing & damaging the spa
- Program the spa heater up to 40 days in advance for future use
- ChemConnect™ dispenser provides a stable level of chlorine throughout the spa
- Power-saving, timer-controlled heating system
- Digital control panel & spa pump with integrated filtration system includes cup holders and is accessible from inside the spa
- Reinforced cover with safety lock clips

Contents: 1 spa, 1 pool cover, 1 spa pump, 1 ChemConnect™ dispenser, filter cartridge (VI), repair patch, AirJet™ system





SPA FEATURES



WARM AIR



MAX TEMP
40 °C (104 °F)



GROUND FAULT
DETECTION SYSTEM
* MOST SPAS HAVE GROUND FAULT
DETECTION SYSTEM (GDS).



NO TOOLS
REQUIRED



POWER
SAVING TIMER

PACKAGING

Packaging: Full Color Box



DURAPLUS™ WALL & TOP RING

The outer surface of this spa is constructed with premium DuraPlus™ material, providing superior durability, stretch resistance and structural stability.



AIRJET™ MASSAGE SYSTEM

Soothe your body and relax your mind with the touch of a button! The Airjets work by releasing warm air into the water, surrounding you with a calming bubble massage.



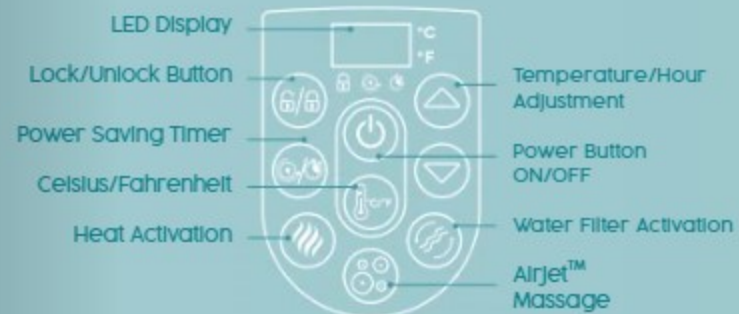
FREEZE SHIELD™ TECHNOLOGY

These spas have built-in sensors so water temperature never falls below your comfort level. Freeze Shield automatically increases water circulation when temperatures are low to prevent inner parts from becoming damaged.

SPECIFICATIONS

ITEM NUMBER	60003
WATER CAPACITY	669 L (177 GAL.)
INFLATED SIZE	1.80 M X 66 CM (71" X 26")
INNER SIZE	1.32 M (52")
FILLED WEIGHT	696 KG (1,534 LBS)
RATING	220-240V- 50HZ, 2050W AT 20°C (68°F)
ACTUAL WATER FLOW	1,325 L/H (350 GAL./H)
HEATING SYSTEM	APPROX. 1.5 - 2.0°C/H (3-4°F/H)
CERTIFICATION	CE/GS
PACK/ GROSS WEIGHT	1 EA., 33.93 KG (74.80 LBS)

DIGITAL CONTROL PANEL



PORTABLE SPAS



Madrid AirJet™

60055

FREEZE
SHIELD™
TECHNOLOGY



BESTWAY
SMART HUB™
APP



CAPACITY
2-4
PEOPLE



Main features:

- Soothing AirJet™ bubble massage system (120 jets)
- Massage regulator provides 2 intensity level options
- Ultra-strong DuraPlus™ walls are stress tested to offer durability
- Freeze Shield™ automatic heating prevents water from freezing & damaging the spa
- Program the spa heater up to 40 days in advance for future use
- Built-in Wi-Fi module, spa can be controlled through a phone app
- ChemConnect™ dispenser provides a stable level of chlorine throughout the spa
- Power-saving, timer-controlled heating system
- Digital control panel & spa pump with integrated filtration system includes two cup holders and is accessible from inside the spa
- Reinforced cover with safety lock clips

*Contents: 1 spa, 1 pool cover,
1 spa pump, 1 ChemConnect™ dispenser,
filter cartridge (VI), repair patch, AirJet™ system*



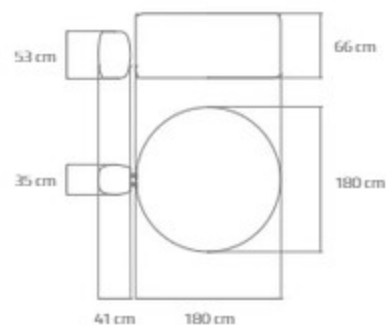
Filter Cartridge



ChemConnect™



DuraPlus™ Exterior Cover





SPA FEATURES



WARM AIR



MAX TEMP
40 °C (104 °F)



GROUND FAULT
DETECTION SYSTEM
• MOST SPAS HAVE GROUND FAULT
DETECTION SYSTEM (GDS).



NO TOOLS
REQUIRED



POWER
SAVING TIMER



1x
MASSAGE
REGULATION
2 Intensity Levels

PACKAGING

Packaging: Full Color Box



DURAPLUS™ WALL & TOP RING

The outer surface of this spa is constructed with premium DuraPlus™ material, providing superior durability, stretch resistance and structural stability.

SPECIFICATIONS

ITEM NUMBER	60055
WATER CAPACITY	669 L (177 GAL.)
INFLATED SIZE	1.80 M X 66 CM (71" X 26")
INNER SIZE	1.32 M (52")
FILLED WEIGHT	696 KG (1,534 LBS)
RATING	220-240V- 50HZ, 2050W AT 20°C (68°F)
ACTUAL WATER FLOW	1,325 L/H (350 GAL./H)
HEATING SYSTEM	APPROX. 1.5 - 2.0°C/H (3-4°F/H)
CERTIFICATION	CE/GS
PACK/ GROSS WEIGHT	1 EA., 33.93 KG (74.80 LBS)



AIRJET™ MASSAGE SYSTEM

Soothe your body and relax your mind with the touch of a button! The Airjets work by releasing warm air into the water, surrounding you with a calming bubble massage.



BESTWAY SMART HUB™ APP

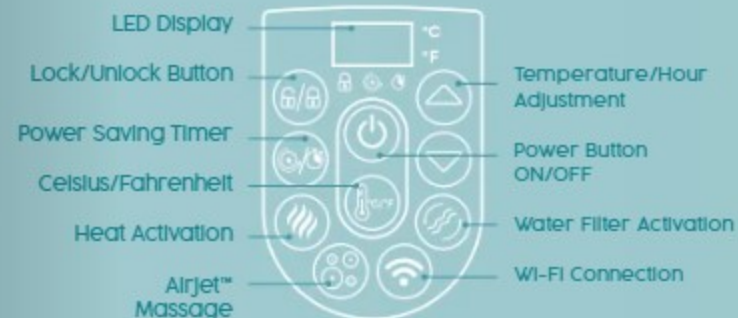
This innovation makes the Lay-Z-Spa compatible with smart devices. The Spa Control section of the app lets users set their spa to the perfect temperature. They can also activate the Power-Saving Timer, the water filter, and the Airjet massage system with the touch of a button!



FREEZE SHIELD™ TECHNOLOGY

These spas have built-in sensors so water temperature never falls below your comfort level. Freeze Shield automatically increases water circulation when temperatures are low to prevent inner parts from becoming damaged.

DIGITAL CONTROL PANEL



PORTABLE SPAS



Tahiti AirJet™ 60007

FREEZE
SHIELD™
TECHNOLOGY



CAPACITY
2-4
PEOPLE



LED
LIGHT



Main features:

- Soothing AirJet™ bubble massage system (120 jets)
- Ultra-strong DuraPlus™ walls are stress tested to offer durability
- Freeze Shield™ automatic heating prevents water from freezing & damaging the spa
- Program the spa heater up to 40 days in advance for future use
- ChemConnect™ dispenser provides a stable level of chlorine throughout the spa
- 7-Color LED light uses 3 AAA batteries (not included)
- Power-saving, timer-controlled heating system
- Digital control panel & spa pump with integrated filtration system includes cup holders and is accessible from inside the spa
- Reinforced cover with safety lock clips

Contents: 1 spa, 1 pool cover, 1 spa pump, filter cartridge (M), 1 ChemConnect™ dispenser, 1 LED light, repair patch, AirJet™ system



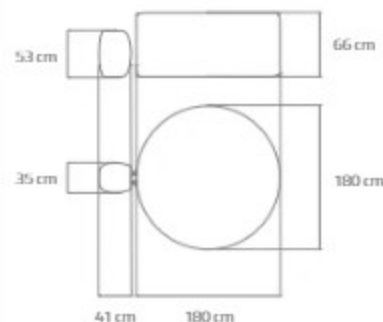
Filter Cartridge



ChemConnect™



7-Color LED light





SPA FEATURES



WARM AIR



MAX TEMP
40 °C (104 °F)



GROUND FAULT
DETECTION SYSTEM
• MOST SPAS HAVE GROUND FAULT
DETECTION SYSTEM (GDS).



NO TOOLS
REQUIRED



POWER
SAVING TIMER



LED
LIGHT

PACKAGING

Packaging: Full Color Box



DURAPLUS™ WALL & TOP RING

The outer surface of this spa is constructed with premium DuraPlus™ material, providing superior durability, stretch resistance and structural stability.



AIRJET™ MASSAGE SYSTEM

Soothe your body and relax your mind with the touch of a button! The Airjets work by releasing warm air into the water, surrounding you with a calming bubble massage.



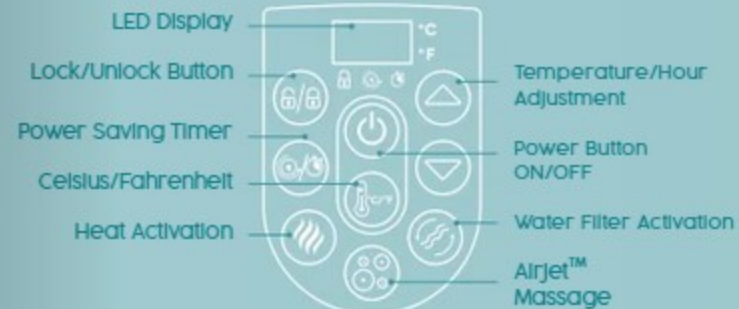
FREEZE SHIELD™ TECHNOLOGY

These spas have built-in sensors so water temperature never falls below your comfort level. Freeze Shield automatically increases water circulation when temperatures are low to prevent inner parts from becoming damaged.

SPECIFICATIONS

ITEM NUMBER	60007
WATER CAPACITY	669 L (177 GAL.)
INFLATED SIZE	1.80 M X 66 CM (71" X 26")
INNER SIZE	1.32 M (52")
FILLED WEIGHT	696 KG (1,534 LBS)
RATING	220-240V- 50HZ, 2050W AT 20°C (68°F)
ACTUAL WATER FLOW	1,325 L/H (350 GAL./H)
HEATING SYSTEM	APPROX. 1.5 - 2.0°C/H (3-4°F/H)
CERTIFICATION	CE/GS
PACK/ GROSS WEIGHT	1 EA., 33.93 KG (74.80 LBS)

DIGITAL CONTROL PANEL



PORTABLE SPAS



Paris AirJet™
60013

FREEZE
SHIELD™
TECHNOLOGY



WIRELESS
LED REMOTE
CONTROL



CAPACITY
4-6
PEOPLE



Main features:

- Soothing AirJet™ bubble massage system (140 jets)
- Freeze Shield™ automatic heating prevents water from freezing & damaging the spa
- Program the spa heater up to 40 days in advance for future use
- ChemConnect™ dispenser provides a stable level of chlorine throughout the spa
- Remote-controlled multicolored LED lights
- Power-saving, timer-controlled heating system
- Digital control panel & spa pump with integrated filtration system includes cup holders and is accessible from inside the spa
- Reinforced cover with safety lock clips

*Contents: 1 spa, 1 pool cover,
1 spa pump, 1 LED light strip,
filter cartridge (VI), 1 ChemConnect™
dispenser, repair patch, AirJet™ system*



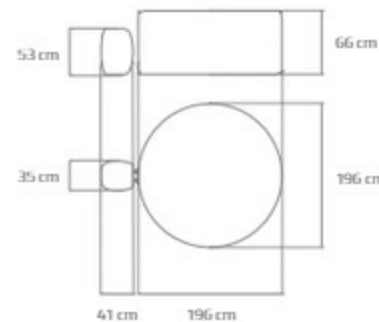
Filter
Cartridge



ChemConnect™



7-Color
LED light strip





SPA FEATURES



WARM AIR



MAX TEMP
40 °C (104 °F)



GROUND FAULT
DETECTION SYSTEM
* MOST SPAS HAVE GROUND FAULT
DETECTION SYSTEM (GFS).



NO TOOLS
REQUIRED



POWER
SAVING TIMER



LED
LIGHT

PACKAGING

Packaging: Full Color Box



DURAPLUS™ COVER

Exterior cover is DuraPlus™,
providing superior durability,
stretch resistance and
structural stability.

SPECIFICATIONS

ITEM NUMBER	60013
WATER CAPACITY	806 L (213 GAL.)
INFLATED SIZE	1.96 M X 66 CM (77" X 26")
INNER SIZE	1.46 M (57")
FILLED WEIGHT	840 KG (1,851 LBS)
RATING	220-240V- 50HZ, 2050W AT 20°C (68°F)
ACTUAL WATER FLOW	1,325 L/H (350 GAL./H)
HEATING SYSTEM	APPROX. 1.5 - 2.0°C/H (3-4°F/H)
CERTIFICATION	CE/GS
PACK/ GROSS WEIGHT	1 EA., 40.07 KG (88.34 LBS)



AIRJET™ MASSAGE SYSTEM

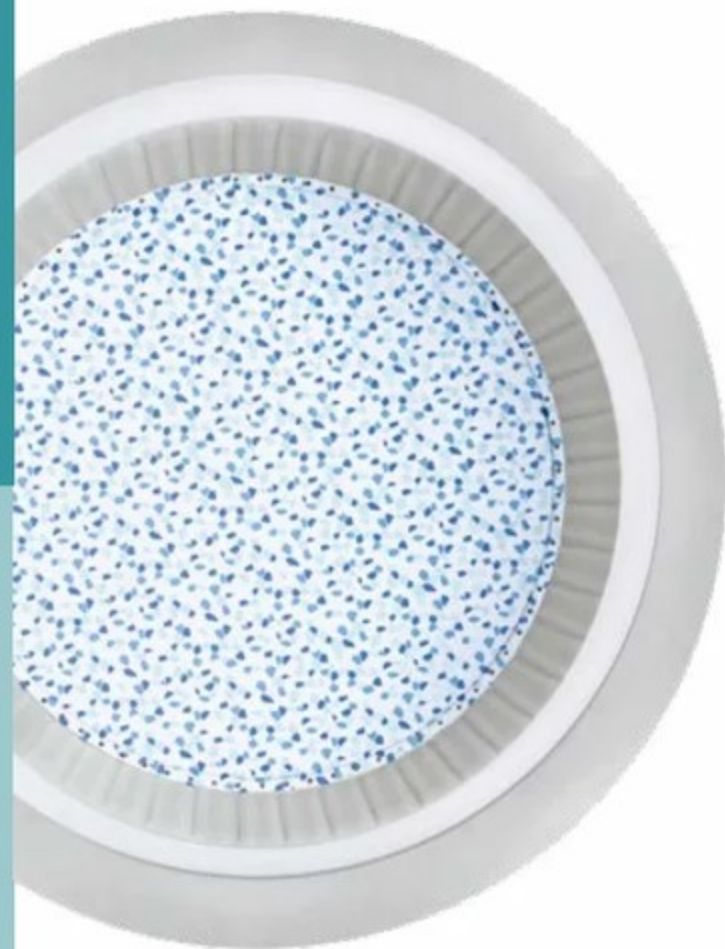
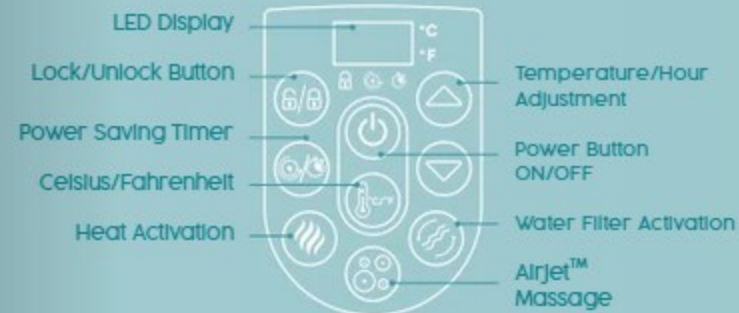
Soothe your body and relax your mind with the touch of a button! The Airjets work by releasing warm air into the water, surrounding you with a calming bubble massage.



FREEZE SHIELD™ TECHNOLOGY

These spas have built-in sensors so water temperature never falls below your comfort level. Freeze Shield automatically increases water circulation when temperatures are low to prevent inner parts from becoming damaged.

DIGITAL CONTROL PANEL



PORTABLE SPAS



Palm Springs AirJet™

60017

FREEZE SHIELD™ TECHNOLOGY



CAPACITY 4-6 PEOPLE



Main features:

- Soothing AirJet™ bubble massage system (140 jets)
- Ultra-strong DuraPlus™ outer walls combined with reinforced internal beams offer superior structural stability
- Freeze Shield™ automatic heating prevents water from freezing & damaging the spa
- Program the spa heater up to 40 days in advance for future use
- ChemConnect™ dispenser provides a stable level of chlorine throughout the spa
- Power-saving, timer-controlled heating system
- Digital control panel & spa pump with integrated filtration system includes cup holders and is accessible from inside the spa
- Reinforced cover with safety lock clips

Contents: 1 spa, 1 pool cover, 1 spa pump, 1 ChemConnect™ dispenser, filter cartridge (V), repair patch, AirJet™ system



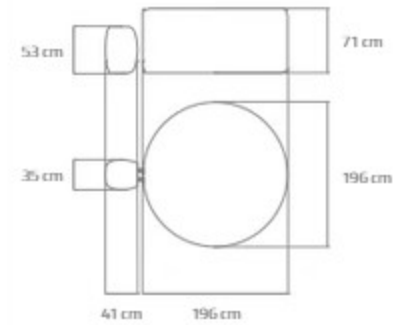
Filter Cartridge



ChemConnect™



DuraPlus™ Exterior Cover





SPA FEATURES



WARM AIR



MAX TEMP
40 °C (104 °F)



GROUND FAULT
DETECTION SYSTEM
* MOST SPAS HAVE GROUND FAULT
DETECTION SYSTEM (GFI).



NO TOOLS
REQUIRED



POWER
SAVING TIMER

PACKAGING

Packaging: Full Color Box



DURAPLUS™ WALL & TOP RING

The outer surface of this spa is constructed with premium DuraPlus™ material, providing superior durability, stretch resistance and structural stability.

DELIVERING STRENGTH AND COMFORT

Beam construction is designed to offer superior structural stability while maintaining a comfortable surface for a luxurious, refreshing spa experience.



AIRJET™ MASSAGE SYSTEM

Soothe your body and relax your mind with the touch of a button! The Airjets work by releasing warm air into the water, surrounding you with a calming bubble massage.



FREEZE SHIELD™ TECHNOLOGY

These spas have built-in sensors so water temperature never falls below your comfort level. Freeze Shield automatically increases water circulation when temperatures are low to prevent inner parts from becoming damaged.

SPECIFICATIONS

ITEM NUMBER	60017
WATER CAPACITY	916 L (242 GAL.)
INFLATED SIZE	1.96 M X 71 CM (77" X 28")
INNER SIZE	1.46 M (57")
FILLED WEIGHT	954 KG (2,103 LBS)
RATING	220-240V- 50HZ, 2050W AT 20°C (68°F)
ACTUAL WATER FLOW	1,325 L/H (350 GAL./H)
HEATING SYSTEM	APPROX. 1.5 - 2.0°C/H (3-4°F/H)
CERTIFICATION	CE/GS
PACK/ GROSS WEIGHT	1 EA., 41.49 KG (91.47 LBS)

DIGITAL CONTROL PANEL



PORTABLE SPAS



Mauritius AirJet™ 60067

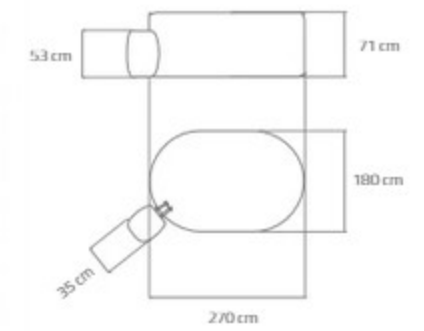


NEW WOODEN EMBOSSED

Main features:

- Soothing AirJet™ bubble massage system (180 jets)
- Ultra-strong DuraPlus™ outer walls combined with reinforced internal beams offer superior structural stability
- Freeze Shield™ automatic heating prevents water from freezing & damaging the spa
- Program the spa heater up to 40 days in advance for future use
- ChemConnect™ dispenser provides a stable level of chlorine throughout the spa
- Power-saving, timer-controlled heating system
- Digital control panel & spa pump with integrated filtration system includes two cup holders and is accessible from inside the spa
- Reinforced cover with safety lock clips

Contents: 1 spa, 1 pool cover, 1 spa pump, 1 ChemConnect™ dispenser, filter cartridge (VI), repair patch, AirJet™ system





SPA FEATURES



WARM AIR



MAX TEMP
40 °C (104 °F)



GROUND FAULT
DETECTION SYSTEM
* MOST SPAS HAVE GROUND FAULT
DETECTION SYSTEM (GDS).



NO TOOLS
REQUIRED



POWER
SAVING TIMER

PACKAGING

Packaging: Full Color Box



DURAPLUS™ WALL & TOP RING

The outer surface of this spa is constructed with premium DuraPlus™ material, providing superior durability, stretch resistance and structural stability.

DELIVERING STRENGTH AND COMFORT

Beam construction is designed to offer superior structural stability while maintaining a comfortable surface for a luxurious, refreshing spa experience.



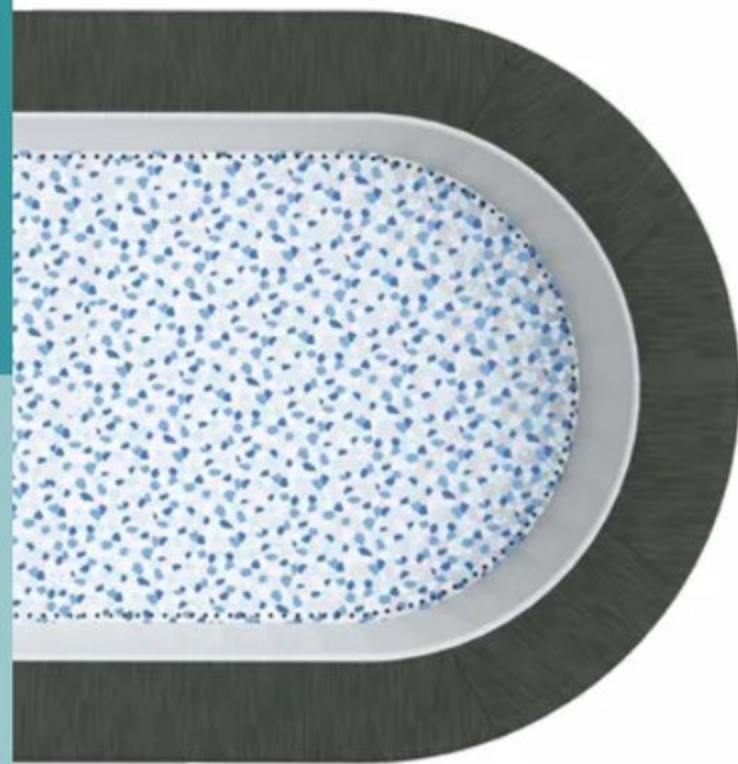
AIRJET™ MASSAGE SYSTEM

Soothe your body and relax your mind with the touch of a button! The Airjets work by releasing warm air into the water, surrounding you with a calming bubble massage.



FREEZE SHIELD™ TECHNOLOGY

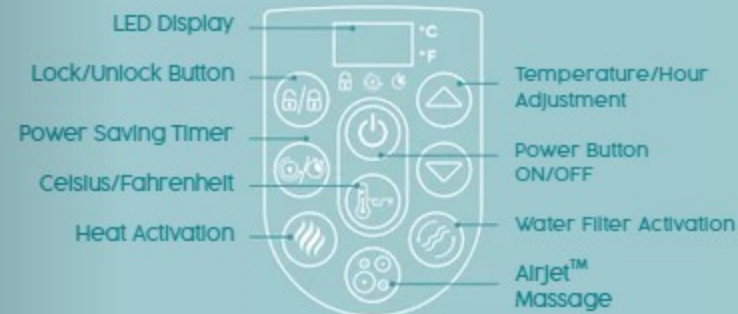
These spas have built-in sensors so water temperature never falls below your comfort level. Freeze Shield automatically increases water circulation when temperatures are low to prevent inner parts from becoming damaged.



SPECIFICATIONS

ITEM NUMBER	60067
WATER CAPACITY	1,370 L (362 GAL.)
INFLATED SIZE	2.70 M X 1.80 M X 71 CM (8'11" X 71" X 28")
INNER SIZE	2.20 M X 1.30 M (7'3" X 51")
FILLED WEIGHT	1,395 KG (3,076 LBS)
RATING	220-240V- 50HZ, 2050W AT 20°C (68°F)
ACTUAL WATER FLOW	1,325 L/H (350 GAL./H)
HEATING SYSTEM	APPROX. 1.0 - 1.5°C/H (2-3°F/H)
CERTIFICATION	CE/GS
PACK/ GROSS WEIGHT	1 EA., 49.87 KG (109.94 LBS)

DIGITAL CONTROL PANEL





AIRJET PLUS™ SYSTEM

**MASSAGING BUBBLES ARE
THE PERFECT WAY TO UNWIND.**

The AirJet Plus system releases bubbles from both the bottom and the sidewalls of the spa to target both the legs and back.



MULTI-FUNCTION PUMP

The included spa pump is convenient and accessible, complete with a digital interface and cup holders. This pump inflates the spa, starts the heating and massage systems, and can activate the filtration system. The best part is that the design now allows users to adjust their needs without standing up or exiting the spa.



**EASY TO REACH
CONTROL PANEL**



**AIRJET™
POSITIONING**



**COMBINATION
HEAT & AIR MASSAGE**



FOOT MASSAGE

The AirJet Plus™ system features additional jets, specifically placed to provide a relaxing foot massage. By placing another circle of massage bubbles in the center of the spa, we are able to target the legs as well as the back of the user.



THERMACORE™ CONSTRUCTION

NEW AND UNIQUE CONSTRUCTION MADE
WITH RIGID FOAM MATERIAL PANELS
ENCASED IN DURAPLUS™ MATERIAL



QUICK & EASY
ASSEMBLY



STABLE
STRUCTURE



INSULATED WALLS

PORTABLE SPAS



Toronto Airjet Plus™

60163

NEW

FREEZE SHIELD™ TECHNOLOGY



CAPACITY 5-7 PEOPLE



5 PADDED PILLOWS



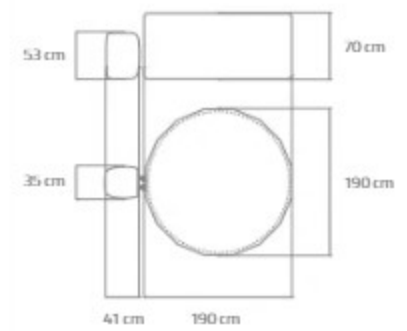
BESTWAY SMART HUB™ APP



Main features:

- Soothing Airjet Plus™ targeted bubble massage system (180 jets)
- Massage regulator provides 2 intensity level options
- The ThermoCore™ construction provides a sturdier, more durable option that is as much as 40% more energy-efficient than a traditional inflatable spa
- Ultra-strong DuraPlus™ wall cover is stress tested to offer durability
- Freeze Shield™ automatic heating prevents water from freezing & damaging the spa
- Program the spa heater up to 40 days in advance for future use
- Built-in Wi-Fi module, spa can be controlled through a phone app
- ChemConnect™ dispenser provides a stable level of chlorine throughout the spa
- Power-saving, timer-controlled heating system
- Digital control panel & spa pump with integrated filtration system includes cup holders and is accessible from inside the spa
- Reinforced cover with safety lock clips
- Padded pillows provide an ultra-comfortable experience

Contents: 1 spa, 1 pool cover, 1 spa pump, 5 pillows, 1 ChemConnect™ dispenser, filter cartridge (V), repair patch, Airjet Plus™ system





SPA FEATURES



WARM AIR



MAX TEMP
40 °C (104 °F)



GROUND FAULT
DETECTION SYSTEM
* MOST SPAS HAVE GROUND FAULT
DETECTION SYSTEM (GDS).



NO TOOLS
REQUIRED



POWER
SAVING TIMER



MASSAGE
REGULATION
2 Intensity Levels

PACKAGING

Packaging: Sturdy
Cardboard Box
with Pictures



THERMACORE™ CONSTRUCTION AND DURAPLUS™ COVER

The foam wall provides a stable structure and a longer lifespan. It is covered with DuraPlus™ material to offer superior durability, stretch resistance and structural stability.



INSULATED WALLS

Foam walls speed up heating time and prevents heat loss, making the Toronto as much as 40% more energy efficient than similar spas.



AIRJET PLUS™ SYSTEM

Enjoy a deeper massage with AirJet Plus! Air bubbles are released from both the bottom and the sidewalls of the spa to target both the legs and back.



FREEZE SHIELD™ TECHNOLOGY

These spas have built-in sensors so water temperature never falls below your comfort level. Freeze Shield automatically increases water circulation when temperatures are low to prevent inner parts from becoming damaged.



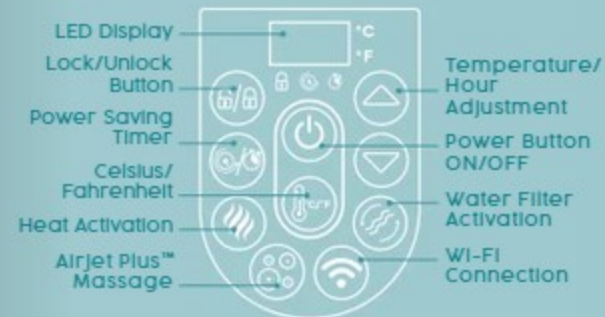
BESTWAY SMART HUB™ APP

This innovation makes the Lay-Z-Spa compatible with smart devices. The Spa Control section of the app lets users set their spa to the perfect temperature. They can also activate the Power-Saving Timer, the water filter, and the AirJet massage system with the touch of a button!

SPECIFICATIONS

ITEM NUMBER	60163
WATER CAPACITY	1,300 L (345 GAL.)
CONSTRUCTED SIZE	1.90 M X 70 CM (75" X 27.5")
INNER SIZE	1.70 M (67")
FILLED WEIGHT	1,338 KG (2,950 LBS)
RATING	220-240V- 50HZ, 2050W AT 20°C (68°F)
ACTUAL WATER FLOW	1,325 L/H (350 GAL./H)
HEATING SYSTEM	APPROX. 1.1-1.6°C/H (2.2-3.2°F/H)
CERTIFICATION	CE/GS
PACK/ GROSS WEIGHT	1 EA., 49.04 KG (108.11 LBS)

DIGITAL CONTROL PANEL





HYDROJET™ SYSTEM

PERFECT SPA RELAXATION
AT YOUR FINGERTIPS.

HydroJet is the best of both worlds! Adjustable nozzles that release water bubbles combined with AirJets along the bottom provide the ultimate hydrotherapy massage.



MULTI-FUNCTION PUMP

The included spa pump is convenient and accessible, complete with a digital interface and cup holders. This pump inflates the spa, starts the heating and massage systems, and can activate the filtration system. The best part is that the design now allows users to adjust their needs without standing up or exiting the spa.



EASY TO REACH
CONTROL PANEL

AIRJETS

Openings encircle the perimeter of the spa floor to produce relaxing bubbles.

FLOW CONTROL & DIRECTION

Pivot the nozzle to direct the jet wherever you wish. Twist the bezel to adjust the flow rate.

AIRJET™ POSITIONING



HYDROJET™ POSITIONING



COMBINATION HEAT & AIR MASSAGE

PORTABLE SPAS



Cabo Hydrojet™

60167

NEW

FREEZE
SHIELD™
TECHNOLOGY



CAPACITY
4-6
PEOPLE



PADDED
PILLOWS



BESTWAY
SMART HUB™
APP



Main features:

- Hydrodynamic water jetstream and air bubble massage system (4 jetstream nozzles and 140 jets)
- Massage regulator provides 2 intensity level options
- Ultra-strong DuraPlus™ outer walls combined with reinforced internal beams offer superior structural stability
- Freeze Shield™ automatic heating prevents water from freezing & damaging the spa
- Program the spa heater up to 40 days in advance for future use
- Built-in Wi-Fi module, spa can be controlled through a phone app
- ChemConnect™ dispenser provides a stable level of chlorine throughout the spa
- Power-saving, timer-controlled heating system
- Digital control panel & spa pump with integrated filtration system includes cup holders and is accessible from inside the spa
- Reinforced cover with safety lock clips
- Padded pillows provide an ultra-comfortable experience

Contents: 1 spa, 1 pool cover, 1 spa pump, 4 pillows, filter cartridge (VI), 1 ChemConnect™ dispenser, repair patch, Hydrojet™ System

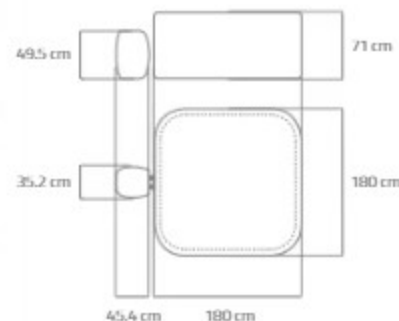


Filter Cartridge

ChemConnect™

DuraPlus™ Exterior Cover

Pillow





SPA FEATURES



WARM AIR



MAX TEMP
40 °C (104 °F)



GROUND FAULT
DETECTION SYSTEM
* MOST SPAS HAVE GROUND FAULT
DETECTION SYSTEM (GFI).



NO TOOLS
REQUIRED



POWER
SAVING TIMER



MASSAGE
REGULATION
2 Intensity Levels

PACKAGING

Packaging: Full Color Box



DURAPLUS™ WALL & TOP RING

The outer surface of this spa is constructed with premium DuraPlus™ material, providing superior durability, stretch resistance and structural stability.

DELIVERING STRENGTH AND COMFORT

Beam construction is designed to offer superior structural stability while maintaining a comfortable surface for a luxurious, refreshing spa experience.

SPECIFICATIONS

ITEM NUMBER	60167
WATER CAPACITY	795 L (210 GAL.)
INFLATED SIZE	1.80 M X 1.80 M X 71 CM (71" X 71" X 28")
INNER SIZE	1.30 M X 1.30 M (51" X 51")
FILLED WEIGHT	839 KG (1850 LBS)
RATING	220-240V- 50HZ, 2150W AT 20°C (68°F)
ACTUAL WATER FLOW	3,975 L/H (1,050 GAL./H)
HEATING SYSTEM	APPROX. 1.5 - 2.0°C/H (3-4°F/H)
CERTIFICATION	CE
PACK/ GROSS WEIGHT	1 EA., 53.92 KG (118.87 LBS)



HYDROJET™ MASSAGE SYSTEM

Hydrojet™ is the best of both worlds! Adjustable nozzles that release water bubbles combined with Airjets along the bottom provide the ultimate hydrotherapy massage.



FREEZE SHIELD™ TECHNOLOGY

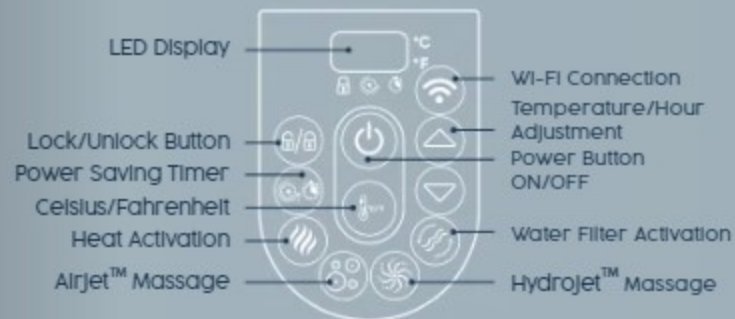
These spas have built-in sensors so water temperature never falls below your comfort level. Freeze Shield automatically increases water circulation when temperatures are low to prevent inner parts from becoming damaged.



BESTWAY SMART HUB™ APP

This innovation makes the Lay-Z-Spa compatible with smart devices. The Spa Control section of the app lets users set their spa to the perfect temperature. They can also activate the Power-Saving Timer, the water filter, and the Hydrojet massage system with the touch of a button!

DIGITAL CONTROL PANEL



PORTABLE SPAS



Dominica HydroJet™

60165

NEW

FREEZE
SHIELD™
TECHNOLOGY



CAPACITY
4-6
PEOPLE



PADDED
PILLOWS



BESTWAY
SMART HUB™
APP



Main features:

- Hydrodynamic water jetstream and air bubble massage system (4 jetstream nozzles and 140 jets)
- Massage regulator provides 2 intensity level options
- Ultra-strong DuraPlus™ outer walls combined with reinforced internal beams offer superior structural stability
- Freeze Shield™ automatic heating prevents water from freezing & damaging the spa
- Program the spa heater up to 40 days in advance for future use
- Built-in Wi-Fi module, spa can be controlled through a phone app
- ChemConnect™ dispenser provides a stable level of chlorine throughout the spa
- Power-saving, timer-controlled heating system
- Digital control panel & spa pump with integrated filtration system includes cup holders and is accessible from inside the spa
- Reinforced cover with safety lock clips
- Padded pillows provide an ultra-comfortable experience

Contents: 1 spa, 1 pool cover, 1 spa pump, 4 pillows, filter cartridge (V), 1 ChemConnect™ dispenser, repair patch, Hydrojet™ System



Filter Cartridge



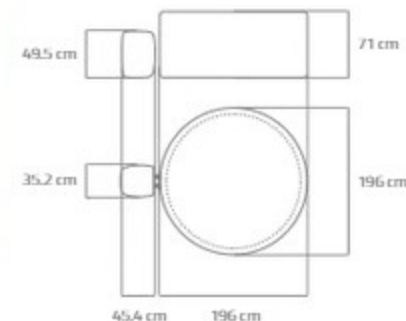
ChemConnect™



DuraPlus™ Exterior Cover



Pillow





SPA FEATURES



WARM AIR



MAX TEMP
40 °C (104 °F)



GROUND FAULT
DETECTION SYSTEM
* MOST SPAS HAVE GROUND FAULT
DETECTION SYSTEM (GDS).



NO TOOLS
REQUIRED



POWER
SAVING TIMER



MASSAGE
REGULATION
2 Intensity Levels

PACKAGING

Packaging: Full Color Box



DURAPLUS™ WALL & TOP RING

The outer surface of this spa is constructed with premium DuraPlus™ material, providing superior durability, stretch resistance and structural stability.

DELIVERING STRENGTH AND COMFORT

Beam construction is designed to offer superior structural stability while maintaining a comfortable surface for a luxurious, refreshing spa experience.

SPECIFICATIONS

ITEM NUMBER	60165
WATER CAPACITY	810 L (214 GAL.)
INFLATED SIZE	1.96 M X 71 CM (77" X 28")
INNER SIZE	1.46 M (57")
FILLED WEIGHT	853 KG (1,880 LBS)
RATING	220-240V- 50HZ, 2150W AT 20°C (68°F)
ACTUAL WATER FLOW	3,975 L/H (1,050 GAL./H)
HEATING SYSTEM	APPROX. 1.5 - 2.0°C/H (3-4°F/H)
CERTIFICATION	CE
PACK/ GROSS WEIGHT	1 EA., 52.47 KG (115.67 LBS)



HYDROJET™ MASSAGE SYSTEM

Hydrojet™ is the best of both worlds! Adjustable nozzles that release water bubbles combined with Airjets along the bottom provide the ultimate hydrotherapy massage.



FREEZE SHIELD™ TECHNOLOGY

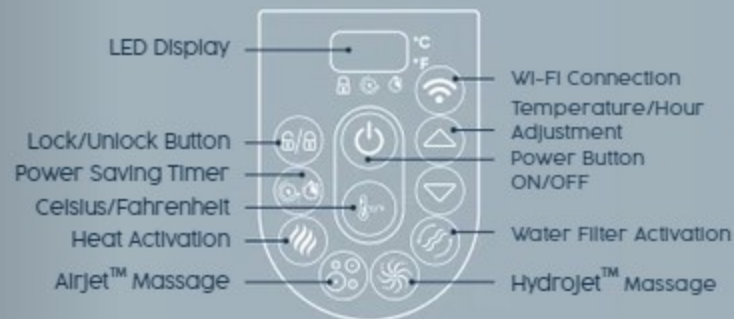
These spas have built-in sensors so water temperature never falls below your comfort level. Freeze Shield automatically increases water circulation when temperatures are low to prevent inner parts from becoming damaged.



BESTWAY SMART HUB™ APP

This innovation makes the Lay-Z-Spa compatible with smart devices. The Spa Control section of the app lets users set their spa to the perfect temperature. They can also activate the Power-Saving Timer, the water filter, and the Hydrojet massage system with the touch of a button!

DIGITAL CONTROL PANEL





HYDROJET PRO™ SYSTEM

PERFECT SPA RELAXATION
AT YOUR FINGERTIPS.

HydroJet Pro is the best of both worlds! Adjustable nozzles that release water bubbles combined with AirJets along the bottom provide the ultimate hydrotherapy massage.



MULTI-FUNCTION PUMP

The included spa pump is convenient and accessible, complete with a digital interface and cup holders. This pump inflates the spa, starts the heating and massage systems, and can activate the filtration system. The best part is that the design now allows users to adjust their needs without standing up or exiting the spa.



EASY TO REACH CONTROL PANEL



FLOW CONTROL & DIRECTION

Pivot the nozzle to direct the jet wherever you wish.
Twist the bezel to adjust the flow rate.

AIRJET™ POSITIONING



HYDROJET™ POSITIONING



AIRJETS

Openings encircle the perimeter of the spa floor to produce relaxing bubbles.

COMBINATION HEAT & AIR MASSAGE

PORTABLE SPAS



Hawaii Hydrojet Pro™

60031

NEW GENERATION

FREEZE SHIELD™ TECHNOLOGY



CAPACITY 4-6 PEOPLE



PADDLED PILLOWS



BESTWAY SMART HUB™ APP



Main features:

- Hydrodynamic water jetstream and air bubble massage system (8 jetstream nozzles and 140 jets)
- Massage regulator provides 2 intensity level options
- Ultra-strong DuraPlus™ outer walls combined with reinforced internal beams offer superior structural stability
- Freeze Shield™ automatic heating prevents water from freezing & damaging the spa
- Program the spa heater up to 40 days in advance for future use
- Built-in Wi-Fi module, spa can be controlled through a phone app
- ChemConnect™ dispenser provides a stable level of chlorine throughout the spa
- Power-saving, timer-controlled heating system
- Digital control panel & spa pump with integrated filtration system includes cup holders and is accessible from inside the spa
- Reinforced cover with safety lock clips

Contents: 1 spa, 1 pool cover, 1 spa pump, 1 ChemConnect™ dispenser, 4 pillows, filter cartridge (VI), repair patch, Hydrojet Pro™ system



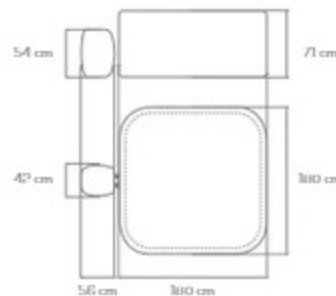
Filter Cartridge



ChemConnect™



Padded Pillow





SPA FEATURES



WARM AIR



MAX TEMP
40 °C (104 °F)



GROUND FAULT
DETECTION SYSTEM
* MOST SPAS HAVE GROUND FAULT
DETECTION SYSTEM (GFI).



NO TOOLS
REQUIRED



POWER
SAVING TIMER



MASSAGE
REGULATION
2 Intensity Levels

PACKAGING

Packaging: Sturdy
Cardboard Box
with Pictures



DURAPLUS™ WALL & TOP RING

The outer surface of this spa is constructed with premium DuraPlus™ material, providing superior durability, stretch resistance and structural stability.

DELIVERING STRENGTH AND COMFORT

Beam construction is designed to offer superior structural stability while maintaining a comfortable surface for a luxurious, refreshing spa experience.



HYDROJET PRO™ MASSAGE SYSTEM

Hydrojet Pro is the best of both worlds! Adjustable nozzles that release water bubbles combined with Airjets along the bottom provide the ultimate hydrotherapy massage.



FREEZE SHIELD™ TECHNOLOGY

These spas have built-in sensors so water temperature never falls below your comfort level. Freeze Shield automatically increases water circulation when temperatures are low to prevent inner parts from becoming damaged.



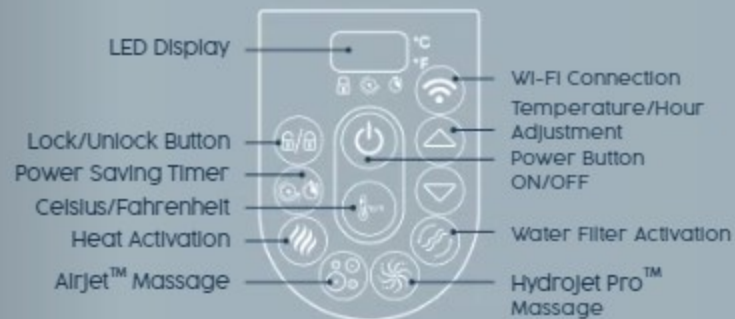
BESTWAY SMART HUB™ APP

This innovation makes the Lay-Z-Spa compatible with smart devices. The Spa Control section of the app lets users set their spa to the perfect temperature. They can also activate the Power-Saving Timer, the water filter, and the Hydrojet massage system with the touch of a button!

SPECIFICATIONS

ITEM NUMBER	60031
WATER CAPACITY	795 L (210 GAL.)
INFLATED SIZE	1.80 M X 1.80 M X 71 CM (71" X 71" X 28")
INNER SIZE	1.30 M X 1.30 M (51" X 51")
FILLED WEIGHT	848 KG (1,869 LBS)
RATING	220-240V- 50HZ, 2050W AT 20°C (68°F)
ACTUAL WATER FLOW	1,325 L/H (350 GAL./H)
HEATING SYSTEM	APPROX. 1.5 - 2.0°C/H (3-4°F/H)
CERTIFICATION	CE
PACK/ GROSS WEIGHT	1 EA., 66.22 KG (145.99 LBS)

DIGITAL CONTROL PANEL



An insulated cover speeds up heating time and prevents heat loss, making the spa more energy-efficient than similar inflatable spas.



PACKAGING

Packaging: Full Color Box



EnergySense™ Thermal Spa Cover

60317

- 1.80 m x 66 cm (71" x 26")
- Increases energy efficiency of the spa
- DuraPlus™ waterproof surface material increases cover durability
- Zipper door for built-in pump or external pump connection
- Compatible with round spas up to 1.80 m x 66 cm / 71" x 26"
- Full color box
- 1 Ea., 6.69 KG (14.75 LBS.)

EnergySense™ Thermal Spa Cover

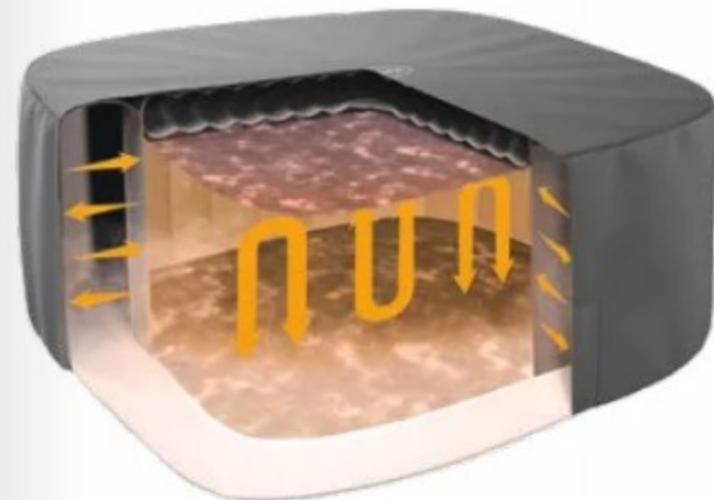
60318

- 1.96 m x 71 cm / 77" x 28"
- Increases energy efficiency of the spa
- DuraPlus™ waterproof surface material increases cover durability
- Zipper door for built-in pump or external pump connection
- Compatible with round spas up to 1.96 m x 71 cm / 77" x 28"
- Full color box
- 1 Ea., 7.72 KG (17.02 LBS.)

EnergySense™ Thermal Spa Cover

60319

- 1.80 m x 1.80 m x 71 cm / 71" x 71" x 28"
- Increases energy efficiency of the spa
- DuraPlus™ waterproof surface material increases cover durability
- Zipper door for built-in pump or external pump connection
- Compatible with square spas up to 1.80 m x 1.80 m x 71 cm / 71" x 71" x 28"
- Full color box
- 1 Ea., 7.54 KG (16.62 LBS.)





HYDRO-FORCE
HFTM

HYDRO-FORCETM BOARDS

The engineering team at Bestway[®] has crafted and fine-tuned each stand-up paddleboard year after year to offer consumers the most premium option at an affordable price.

126 Sea Breeze Set

128 White Cap Convertible Set

**PRODUCT MATRIX:
HYDRO-FORCE™ SUP RANGE**

ALL-AROUND

RIVER

TOURING

AQUA JOURNEY set 65349 **SEA BREEZE set** 65340 **WHITE CAP set** 65342 **WHITE CAP convertible set** 65341 **OCEANA convertible set** 65350 **HUAKA'I set** 65346 **BREEZE PANORAMA™ set** 65377 **New** **AQUA WANDER™ TRAVELTECH™ convertible set** 65375 **New** **KAHAWAI set** 65308 **AQUA GLIDER™ TRAVELTECH™ set** 65347 **FREESOUL™ TECH convertible set** 65310 **PANORAMA™ set** 65363 **AQUA EXCURSION™ TECH set** 65373 **New**



	AQUA JOURNEY set 65349	SEA BREEZE set 65340	WHITE CAP set 65342	WHITE CAP convertible set 65341	OCEANA convertible set 65350	HUAKA'I set 65346	BREEZE PANORAMA™ set 65377 New	AQUA WANDER™ TRAVELTECH™ convertible set 65375 New	KAHAWAI set 65308	AQUA GLIDER™ TRAVELTECH™ set 65347	FREESOUL™ TECH convertible set 65310	PANORAMA™ set 65363	AQUA EXCURSION™ TECH set 65373 New	
LENGTH	9ft. (2.74m)	10ft. (3.05m)	10ft. (3.05m)	10ft. (3.05m)	10ft. (3.05m)	10ft. (3.05m)	10ft. (3.05m)	10ft. (3.05m)	10ft. 2in. (3.05m)	10ft. 6in. (3.20m)	11ft. 2in. (3.40m)	11ft. 2in. (3.40m)	12ft. 6in. (3.81m)	
WIDTH	30in. (76cm)	33in. (84cm)	33in. (84cm)	33in. (84cm)	33in. (84cm)	33in. (84cm)	33in. (84cm)	33in. (84cm)	34in. (86cm)	31in. (79cm)	35in. (89cm)	35in. (89cm)	35in. (89cm)	
THICKNESS	4.25in. (10.8cm)	4.25in. (10.8cm)	4.25in. (10.8cm)	4.25in. (10.8cm)	4.25in. (10.8cm)	6in. (15cm)	4.25in. (10.8cm)	4.25in. (10.8cm)	6in. (15cm)	4.25in. (10.8cm)	6in. (15cm)	6in. (15cm)	6in. (15cm)	
WEIGHT CAPACITY	200lb. (90kg)	200lb. (90kg)	200lb. (90kg)	200lb. (90kg)	200lb. (90kg)	200lb. (90kg)	200lb. (90kg)	200lb. (90kg)	200lb. (90kg)	200lb. (90kg)	200lb. (90kg)	200lb. (90kg)	200lb. (90kg)	
INTERNAL VOLUME	67gal. (256L)	67gal. (256L)	67gal. (256L)	67gal. (256L)	67gal. (256L)	67gal. (256L)	67gal. (256L)	67gal. (256L)	67gal. (256L)	67gal. (256L)	67gal. (256L)	67gal. (256L)	67gal. (256L)	
PRESSURE	15psi (1.03bar)	15psi (1.03bar)	15psi (1.03bar)	15psi (1.03bar)	15psi (1.03bar)	15psi (1.03bar)	15psi (1.03bar)	15psi (1.03bar)	15psi (1.03bar)	15psi (1.03bar)	15psi (1.03bar)	15psi (1.03bar)	15psi (1.03bar)	
SEATED OPTION														
CHAS	•	•	•	•	•	•	•	•	•	•	•	•	•	
RING	✓	✓	✓	✓	✓	✓	✓	✓	✓	✓	✓	✓	✓	
OVERALL PERFORMANCE	MANEUVERABILITY STABILITY TRACKING SPEED	MANEUVERABILITY STABILITY TRACKING SPEED	MANEUVERABILITY STABILITY TRACKING SPEED	MANEUVERABILITY STABILITY TRACKING SPEED	MANEUVERABILITY STABILITY TRACKING SPEED	MANEUVERABILITY STABILITY TRACKING SPEED	MANEUVERABILITY STABILITY TRACKING SPEED	MANEUVERABILITY STABILITY TRACKING SPEED	MANEUVERABILITY STABILITY TRACKING SPEED	MANEUVERABILITY STABILITY TRACKING SPEED	MANEUVERABILITY STABILITY TRACKING SPEED	MANEUVERABILITY STABILITY TRACKING SPEED	MANEUVERABILITY STABILITY TRACKING SPEED	MANEUVERABILITY STABILITY TRACKING SPEED
INCE	Refer to International Catalog	PG. 126	Refer to International Catalog	PG. 128	Refer to International Catalog	Refer to International Catalog	Refer to International Catalog	Refer to International Catalog	Refer to International Catalog	Refer to International Catalog	Refer to International Catalog	Refer to International Catalog	Refer to International Catalog	

BOARDS



Sea Breeze Set

65340



Inflated Size 10' x 33" x 4.75"
(3.05 m x 84 cm x 12 cm)

Category All-Around

Features Drop stitch

Contents Contents: Paddleboard, paddle, hand pump, backpack, coiled leash, fin, repair kit



Weight Capacity 265 lbs (120 kg)

Passengers 1

Case Pack 1 pcs

Lb. (kg) 26.9 lbs (12.2 kg)

Packaging Full color box



BOARDS



White Cap Convertible Set

65341



Inflated Size 10' x 33" x 4.75"
(3.05 m x 84 cm x 12 cm)

Category All-Around

Features Drop stitch

Contents Contents: Paddleboard, paddle, hand pump, backpack, coiled leash, seat, footrest, fin, repair kit



Weight Capacity 265 lbs (120 kg)

Passengers 1

Case Pack 1 pcs

Lb. (kg) 30.4 lbs (13.8 kg)

Packaging Full color box

HF
HYDRO-FORCE™



HYDRO-FORCE™ KAYAKS

The wide range of kayaks offered by Bestway® means every water explorer can find exactly what they're looking for. From different sizes to materials, these kayaks are perfect for beginners and advanced adventurers.

134 Kayak
Surge Elite™ X1

136 Kayak
Surge Elite™ X2

PRODUCT MATRIX:
HYDRO-FORCE™ KAYAKS RANGE



INFLATED LENGTH	9ft. 2.5m	10ft. 10in. (3.1m)	10ft. 6in. (3.2m)	12ft. 6in. (3.8m)	10ft. 3in. (3.12m)	9ft. 7in. (2.80m)	10ft. 10in. (3.10m)	10ft. (3.05m)	12ft. 6in. (3.80m)
INFLATED WIDTH	36in. (91cm)	36in. (91cm)	36in. (91cm)	36in. (91cm)	39in. (99cm)	34in. (86cm)	34in. (86cm)	36in. (91cm)	37in. (94cm)
WEIGHT CAPACITY	220lb. (100kg)	220lb. (100kg)	220lb. (100kg)	220lb. (100kg)	227lb. (103kg)	220lb. (100kg)	440lb. (200kg)	220lb. (100kg)	227lb. (103kg)
INTERNAL PRESSURE	0.5psi (3.024bar)	0.5psi (3.024bar)	0.6psi (3.041bar)	1psi (3.000bar)	1psi (3.000bar)	1psi (3.000bar)	1psi (3.000bar)	2psi (1.379bar)	2psi (1.379bar)
POCKETS	1	2	2	2	2	1	2	1	2
PASSENGERS	1	2	2	3	2	1	2	1	2
PAGES	Refer to International Catalog	Refer to International Catalog	Refer to International Catalog	Refer to International Catalog	Refer to International Catalog	Refer to International Catalog	Refer to International Catalog	PG. 134	PG. 136

KAYAK



surge Elite™ X1

65143



Compliance / Certification

- User capacity: 1 adults
- Weight capacity: 100 kg (220 lbs)

Structure Specs

- Inflated size: 3.05 m x 91 cm x 40 cm / 10' x 36" x 16"
- 3 air chamber construction
- Made with Tritech™ - a 3-ply reinforced material
- Ultra Fresh® antimicrobial treatment built in to protect the product by resisting the growth of odor-causing bacteria, mold or mildew
- Firm and rigid inflated floor

Features & Design

- Form-fitted construction prevents water from entering the cockpit
- 1 adjustable seat with storage compartment
- 2 removable fins in different sizes for directional support in various water conditions
- Safety grab ropes
- 2 carry handles
- 1 floor mounted footrest
- Carry bag for easy transportation and storage
- 230 cm (91") aluminum paddle (#162174)
- Air Hammer™ inflation pump (#162086)

Valves

- Quick inflation/deflation screw valves

Packaging

- Full color box
- 1 Ea., Kg (lbs)

Contents

- 1 kayak, 1 paddle, 1 hand pump, 2 fins, 1 seat, 1 footrest, 1 carry bag, repair patch



KAYAK



Surge Elite™ X2

65144



Compliance / Certification

- User capacity: 2 adults
- Weight capacity: 180 kg (397 lbs)

Structure Specs

- Inflated size: 3.82 m x 94 cm x 42 cm / 12'6" x 37" x 17"
- 3 air chamber construction
- Made with Tritech™ - a 3-ply reinforced material
- Ultra Fresh® antimicrobial treatment built in to protect the product by resisting the growth of odor-causing bacteria, mold or mildew
- Firm and rigid inflated floor

Features & Design

- Form-fitted construction prevents water from entering the cockpit
- 2 adjustable seats with storage compartments
- 2 removable fins in different sizes for directional support in various water conditions
- Safety grab ropes
- 4 carry handles
- 2 floor mounted footrests
- Carry bag for easy transportation and storage
- Two 230 cm (91") aluminum paddle (#162174)
- Air Hammer™ inflation pump (#162086)

Valves

- Quick inflation/deflation screw valves

Packaging

- Full color box
- 1 Ea., Kg (lbs)

Contents

- 1 kayak, 2 paddles, 1 hand pump, 2 fins, 2 seats, 2 footrests, 1 carry bag, repair patch





Summer

Bestway® has all the makings for summertime fun. Stylish and comfortable lounges make the best summer ever for your customers. Make it a Bestway® summer!

140 Aqua Lounge

140 Sparkle Shell™ Kiddie Pool

141 Luxe Relaxer™ Lounge

142 Happy Flora Kids Pool

Aqua Lounge

43103

- 1.60 m x 84 cm / 63" x 33"
- 2 air chambers
- Comfortable headrest
- Mesh bottom
- Two assorted designs
- Repair patch
- Full color box
- Weight capacity: 90 kg (198 lbs)
- Number of users: 1 adult
- 8 Ea., 6.1 kg (13.4 lbs)



Comfortable headrest



Mesh bottom



Sparkle Shell™ Kiddie Pool

52489

- 1.50 m x 1.27 m x 43 cm / 59" x 50" x 17"
- 2 ring pool
- Fun shell shape
- Infused with silver glitter that sparkles in the sunlight
- Release pool water with the easy-to-use drain valve
- Water capacity: 230 L (61 gal.)
- Repair patch
- Full color box
- 4 Ea., 8.1 kg (17.8 Lb.)



Luxe Relaxer™ Lounge

43646

NEW!

- 1.53 m x 1.02 m / 60" x 40"
- 2 air chambers
- Comfortable headrest
- Cool mesh bottom
- 1 cup holder
- Heavy-duty handles
- User capacity: 1 adult
- Weight capacity: 90 kg (198 lbs)
- Full color box
- 8 Ea., 10.9 kg (24.0 lb.)



Happy Flora Kids Pool

- 3 interlocking quick release valves
- Walls composed of 3 equal rings
- Extra-wide sidewalls
- Fun floral graphics
- Release pool water with the easy-to-use drain valve
- Repair patch
- Full color box

54120 | AGE 6+

- 2.29 m x 1.52 m x 56 cm /
7' 6" x 60" x 22"
- Water capacity: 185 gal. (702 L)
- 2 Ea., 9.7 kg (21.5 lb.)

54121 | AGE 6+

- 3.05 m x 1.83 m x 56 cm /
10' x 6' x 22"
- Water capacity: 307 gal. (1,161 L)
- 2 Ea., 14.7 kg (32.3 lb.)



ITEM	NAME PRODUCT	PAGE	ITEM	NAME PRODUCT	PAGE
43103	Aqua Lounge	140	56985	Steel Pro™ Round Pools	19
43646	Luxe Relaxer™ Lounge	141	56986	Steel Pro™ Round Pools	19
52489	Sparkle Shell™ Kiddie Pool	140	56995	Power Steel™ Rectangular Pools	37
54120	Happy Flora Kids Pool	142	56996	Power Steel™ Rectangular Pools	37
54121	Happy Flora Kids Pool	142	56997	Power Steel™ Rectangular Pools	37
5612D	Steel Pro™ Round Pools	21	56998	Power Steel™ Rectangular Pools	37
5612E	Steel Pro™ Round Pools	21	57266	Fast Set™ Pools	13
5612F	Steel Pro™ Round Pools	17	57269	Fast Set™ Pools	13
5612G	Steel Pro™ Round Pools	17	57270	Fast Set™ Pools	13
5614U	Power Steel™ Pool Set with Canopy	41	57289	Fast Set™ Pools	13
5614V	Power Steel™ Pool Set with Canopy	41	57307	Fast Set™ Pools	13
5614X	Steel Pro MAX™ Pools	29	58482	Aquatronix™	51
5614Z	Steel Pro MAX™ Pools	29	58517	Swimfinity™	53
5618X	Steel Pro MAX™ Pools	33	58612	Round Pool Dome	59
5618Y	Steel Pro MAX™ Pools	33	58639	Pool Floor Protector	57
5619D	Steel Pro MAX™ Pools	33	58654	Secure Hose Support	56
5619E	Steel Pro MAX™ Pools	33	58748	4kW Pool Heater	55
5619G	Steel Pro MAX™ Pools	33	60003	Cancun AirJet™	72
5619H	Steel Pro MAX™ Pools	33	60007	Tahiti AirJet™	80
5619K	Steel Pro MAX™ Pools	31	60013	Paris AirJet™	84
5619N	Steel Pro MAX™ Pools	27	60017	Palm Springs AirJet™	88
5619Q	Power Steel™ Rectangular Pools	39	60031	Hawaii HydroJet Pro™	116
56677	Steel Pro™ Round Pools	21	60055	Madrid AirJet™	76
56678	Steel Pro™ Round Pools	21	60061	Aruba AirJet™	68
56679	Steel Pro™ Round Pools	21	60067	Mauritius AirJet™	92
56680	Steel Pro™ Round Pools	21	60163	Toronto AirJet Plus™	100
56681	Steel Pro™ Round Pools	21	60165	Dominica HydroJet™	110
56706	Steel Pro™ Round Pools	21	60167	Cabo HydroJet™	106
56709	Steel Pro MAX™ Pools	25	60317	EnergySense™ Thermal Spa Cover	120
56721	Power Steel™ Rectangular Pools	37	60318	EnergySense™ Thermal Spa Cover	120
56722	Power Steel™ Rectangular Pools	37	60319	EnergySense™ Thermal Spa Cover	121
56727	Power Steel™ Rectangular Pools	37	65143	Surge Elite™ X1	134
56728	Power Steel™ Rectangular Pools	37	65144	Surge Elite™ X2	136
56731	Steel Pro MAX™ Pools	25	65340	Sea Breeze Set	126
56946	Power Steel™ Swim Vista Series™ II Pools	45	65341	White Cap Convertible Set	128



Collection **2023**

Bestway

SPECIAL EDITION **2023** Collection

SHANGHAI

Bestway Inflatables & Material Corp.
No. 208 Jin Yuan Wu Road,
Shanghai, 201812, China
Tel: 86 21 6913 5588
E-mail: info@bestwaycorp.com

HONG KONG

Bestway (Hong Kong) International Ltd.
Suite 713, 7/Floor, East Wing,
Tam Sha Tsui Centre,
66 Mody Road, Kowloon, Hong Kong
Tel: 852 2997 7169
E-mail: info@bestwaycorp.hk

U.S.A.

Bestway (USA) Inc.
3435 S. McQueen Road, Chandler,
AZ 85286, United States of America
Tel: 1 480 838 3888
E-mail: info@bestwaycorp.us

EUROPE

Bestway (Europe) S.p.a.
Via Resistenza, 5
20098 San Giuliano Milanese (MI), Italy
Tel: 39 02 9884 881
E-mail: info@bestwaycorp.eu

EASTERN EUROPE

Bestway Eastern Europe Sp. z o.o.
Ul. Ekologiczna 24
05-080 Kludryn Poland
Tel: 48 22 60 22 508
E-mail: info@bestwaycorp.pl

LATIN AMERICA

Bestway Central & South America Ltda
Salar Ascotan 1282, Parque Enea,
Pudshuel, Santiago, Chile
Tel: 562 3203 6438
E-mail: info@bestwaycorp.lat

BRAZIL

Bestway Brazil
Av Cero Azul, 2783 Marings - PR - Brazil
Zip Code: 87010-055
Tel: 55 44 3046 2950 / 0800 001 8400
E-mail: info@bestwaycorp.com.br

AUSTRALIA

Bestway Australia Pty Limited
Unit 2/96-104 Carnarvon St
Silverwater, NSW 2128, Australia
Tel: 61 2 9037 1388
E-mail: info@bestwaycorp.com.au

FRANCE

Bestway France Sarl
1681 route des Dolines
Les Talassounières - Belem
06560 VALBONNE
Tel: 33 4 97 04 92 99
E-mail: info@bestwaycorp.fr

GERMANY

Bestway Deutschland GmbH
Parkstraße 11
24534 Neumünster, Germany
Tel: 49 4321 555 05 - 0
E-mail: info@bestwaycorp.de

SCANDINAVIA

Bestway Scandinavia A/S
Amagervej 17, 3* F
DK-1160 Copenhagen K, Denmark
Tel: 45 78744569
E-mail: info@bestwaycorp.scandinavia.eu

Bestway



www.bestwaycorp.com

©2022 Bestway Inflatables & Material Corp. All rights reserved.
©™ Trademarks owned and managed by Bestway Inflatables & Material Corp.